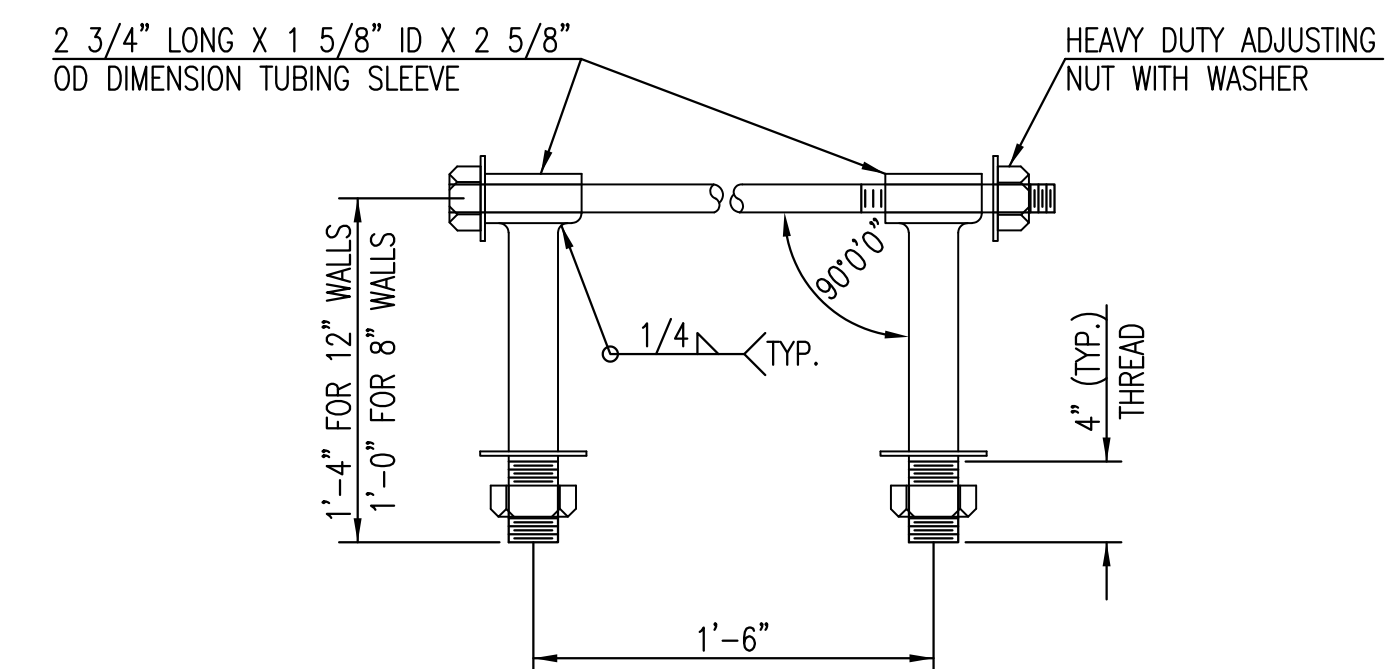
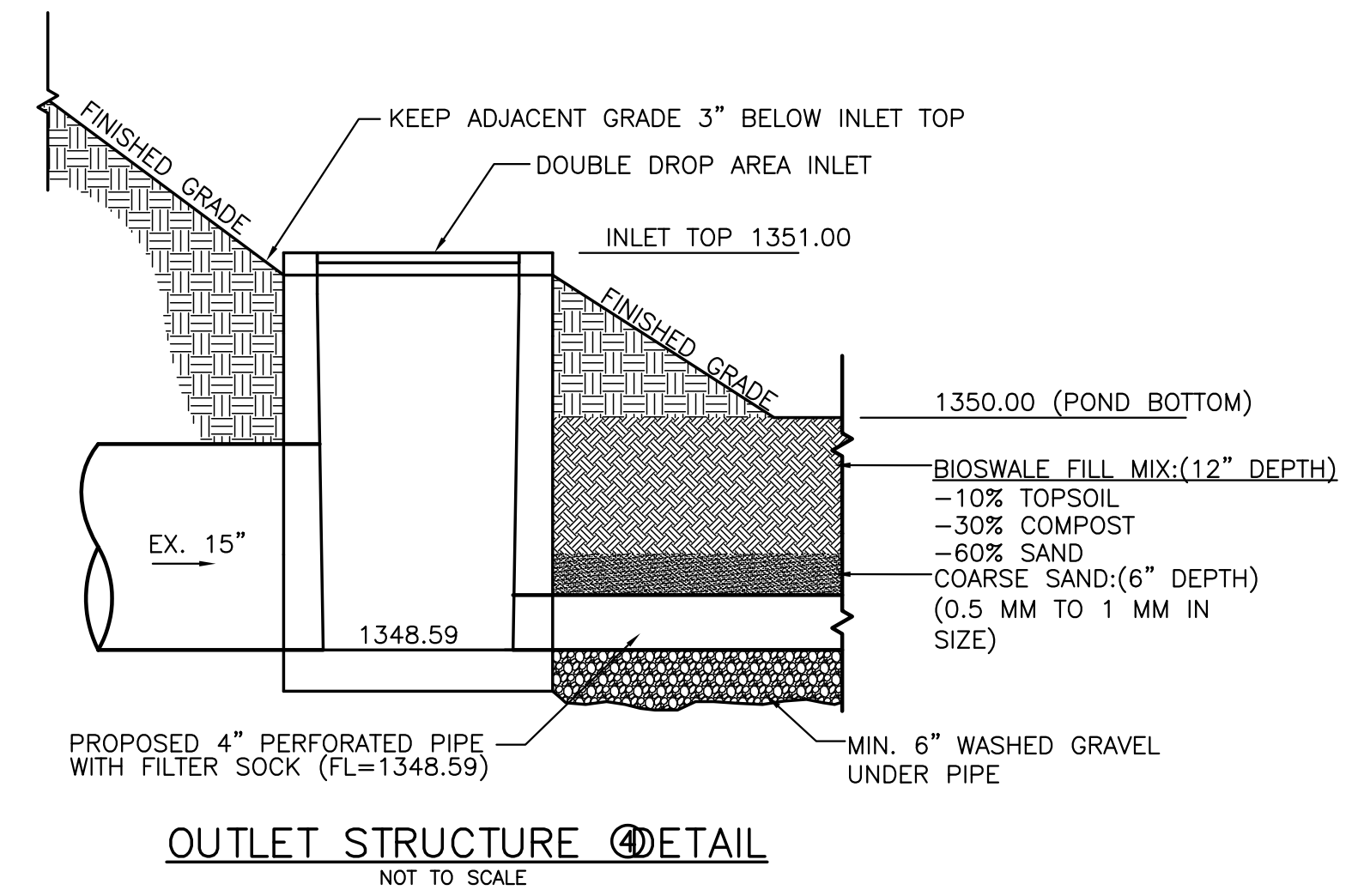
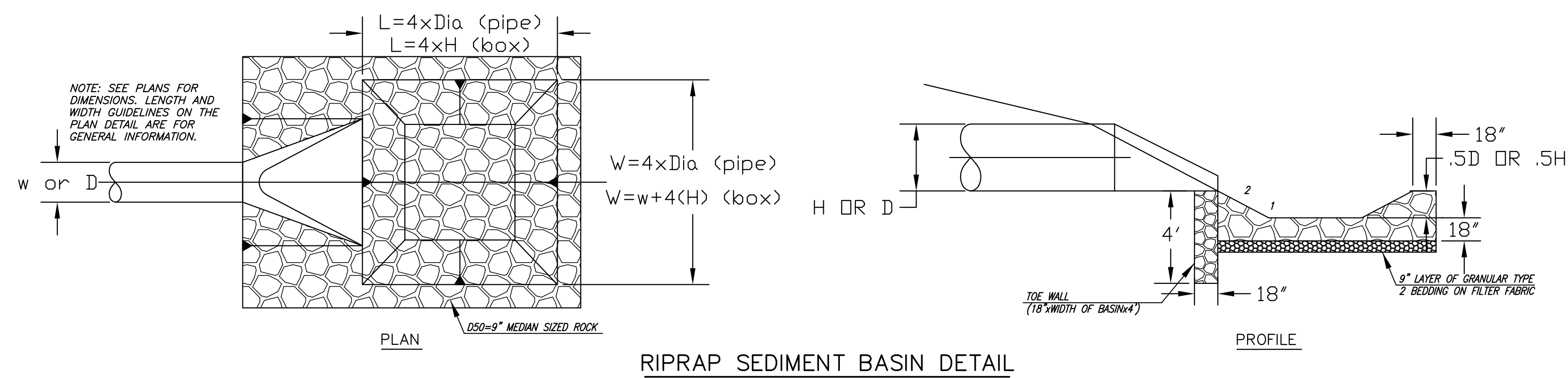


CURB INLET TYPE B DETAIL
NOT TO SCALE



HEAVY DUTY (H.D.) COUPLER
NO SCALE

- NOTES
1. BOLTS TO BE A-36 1 1/2" DIAMETER.
 2. BOLTS, NUTS, WASHERS AND SLEEVES TO BE ZINC PLATED.
 3. WASHERS TO BE 3 1/2" O.D. X 7 GAUGE.
 4. SHIP WITH NUTS AND WASHERS PLACED ON BOLTS.



RIPRAP SEDIMENT BASIN DETAIL

STORM WATER SEWER PLANS FOR
CHICK-FIL-A
WICHITA, KANSAS

SWS DETAILS

SHEET TITLE
1201010135
PROJECT NUMBER

AJK / DM / GJA
DESIGNED DRAWN CHECKED

ISSUED
March 2012
REVISED

SHEET NO.