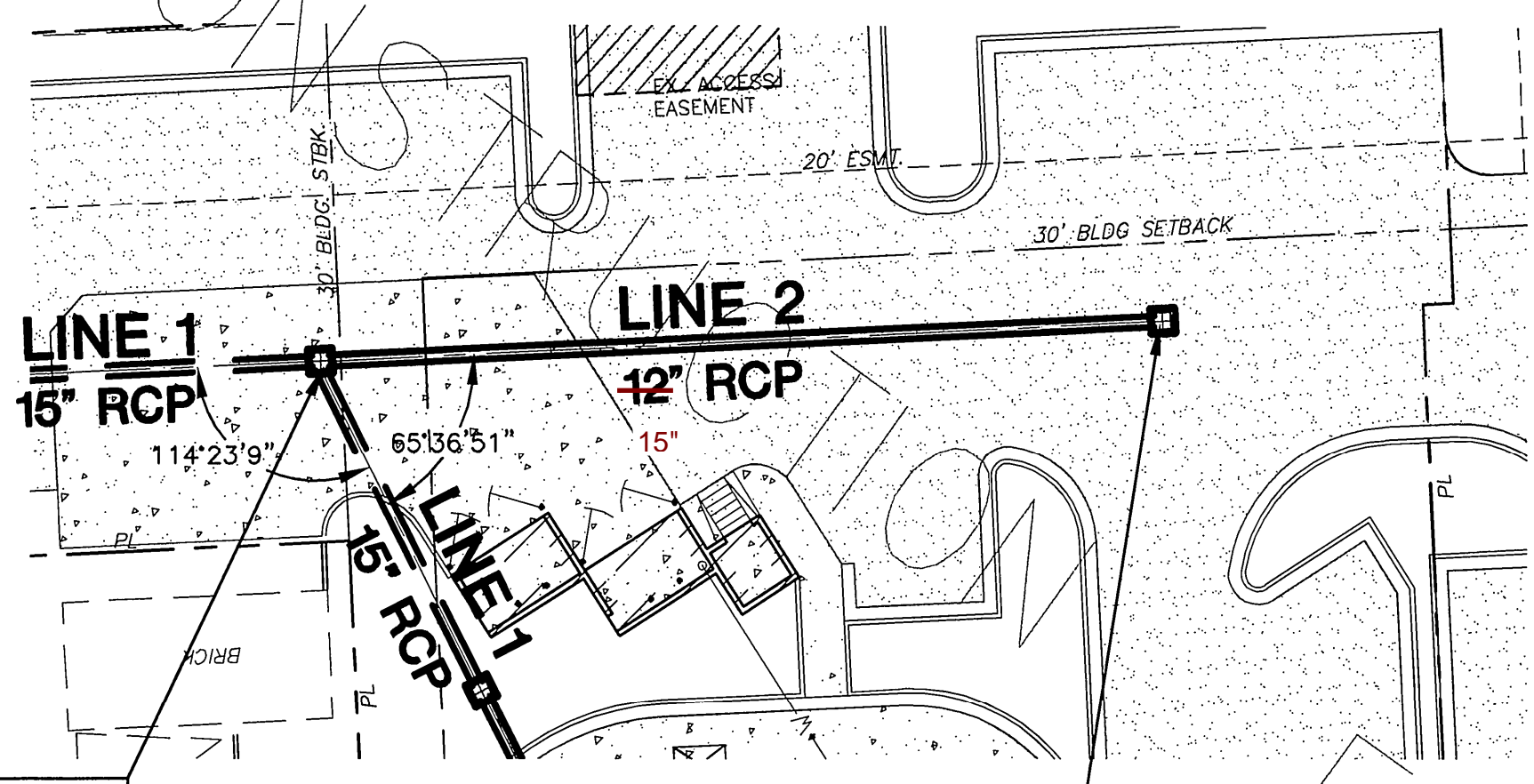
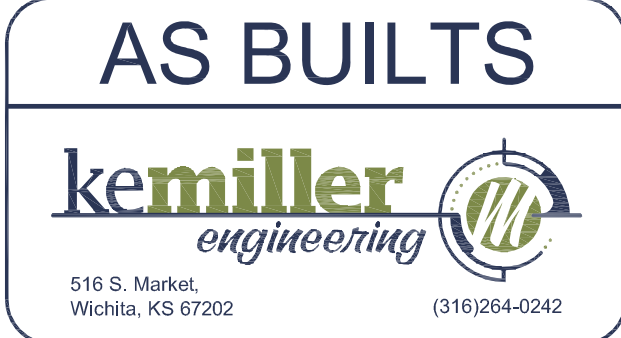


FOR  
CONSTRUCTION

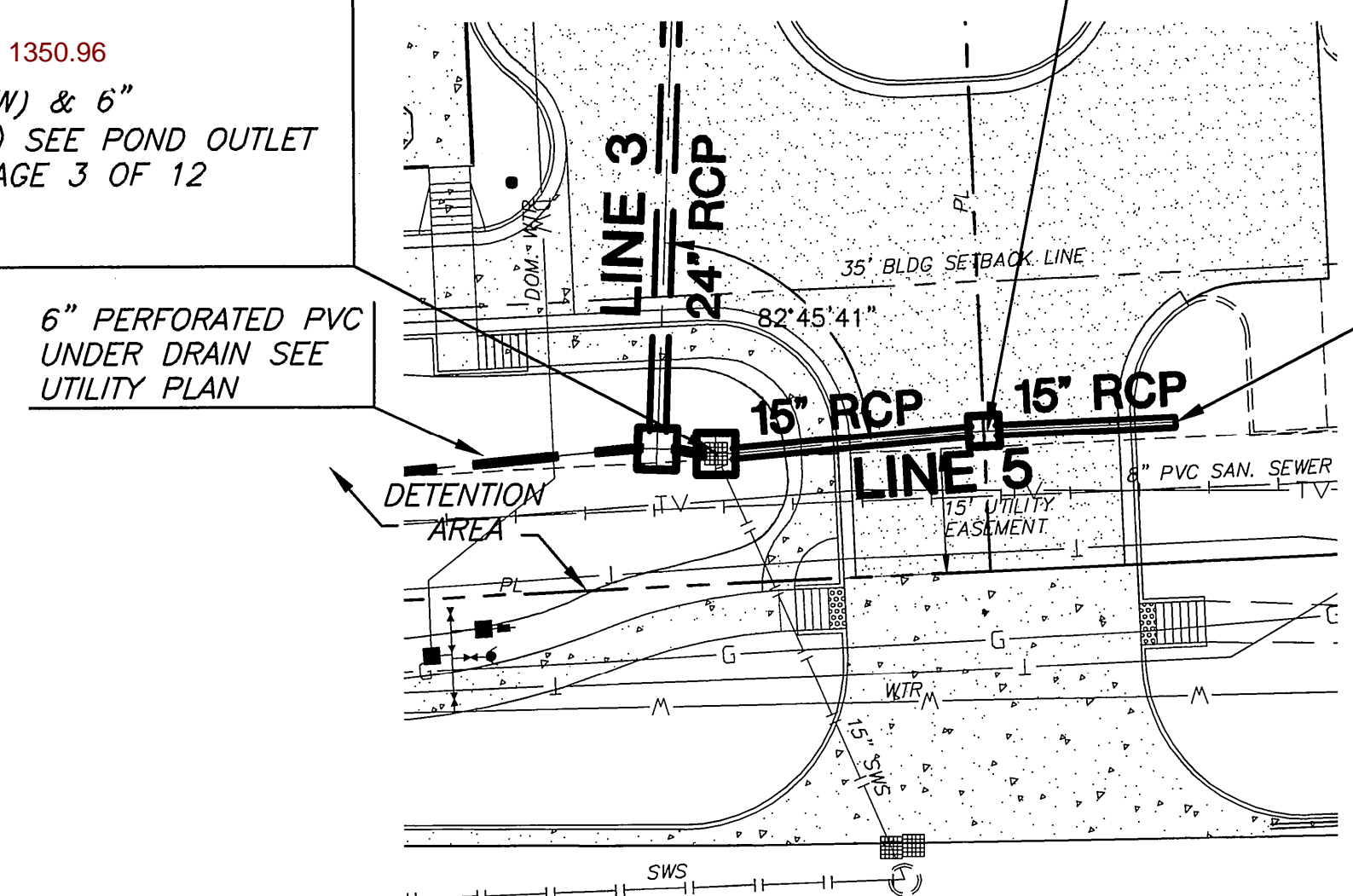


STA. 10+00.0, LINE 2=  
STA. 10+89.8, LINE 1  
SINGLE DROP INLET  
W=2', L=2' 1352.10  
INLET TOP=1352.0  
PROVIDE SEDIMENT BARRIER  
N 1698111.9891  
E 1612031.2913

STA. 10+99.0, LINE 2  
INSTALL SINGLE DROP INLET  
W=2', L=2' 1353.15  
INLET TOP=1353.0  
PROVIDE SEDIMENT BARRIER  
N 1698107.3534  
E 1611932.3999

PLAN LINE 2

STA. 10+00.0, LINE 5  
REMOVE EXISTING INLET REPLACE WITH  
DOUBLE DOUBLE DROP AREA INLET  
L=4'-0", W=4'-0" 1350.96  
INLET TOP=1351.00  
CONNECT 15" PIPE (W) & 6"  
PERFORATED PIPE (E) SEE POND OUTLET  
STRUCTURE DETAIL PAGE 3 OF 12  
N 1698419.9335  
E 1611920.5230

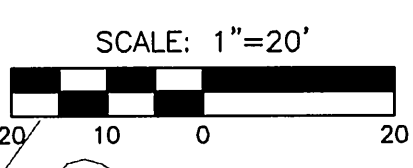


STA. 10+33.0, LINE 5  
INSTALL SINGLE DROP INLET  
W=2', L=2'  
INLET TOP=1351.35  
PROVIDE SEDIMENT BARRIER  
N 1698417.1375  
E 1611887.6932

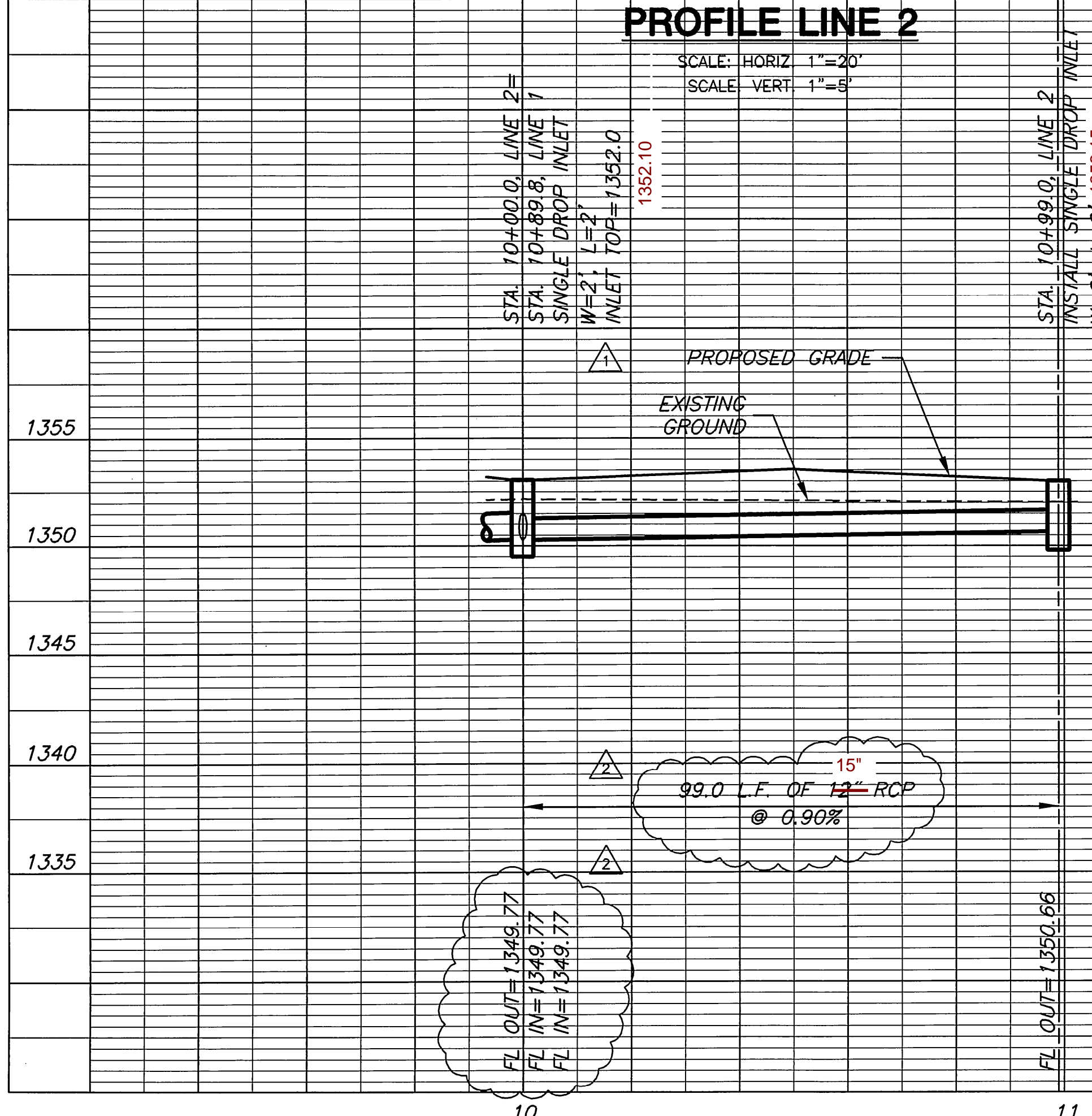
STA. 10+56.5, LINE 5  
END 15" STUB (W) & CAP

WEST 21ST. STREET NORTH

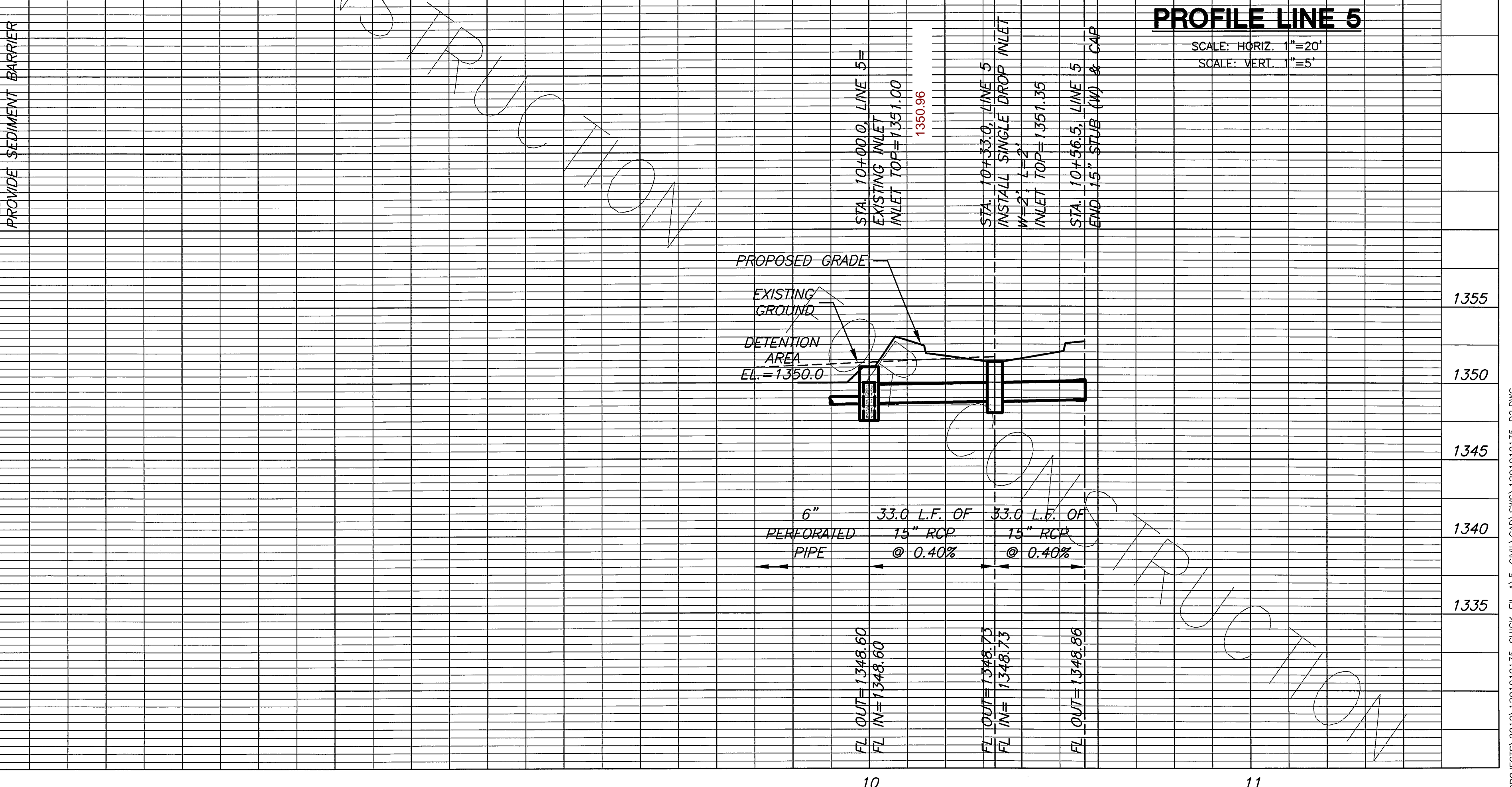
PLAN LINE 5



PROFILE LINE 2



PROFILE LINE 5



STORM WATER SEWER PLANS FOR  
**CHICK-FIL-A**  
WICHITA, KANSAS

**LINES 2 & 5**  
SHEET TITLE  
1201010135  
PROJECT NUMBER

AJK / DM / GJA  
DESIGNED / DRAWN / CHECKED

ISSUED  
March 2012  
REVISED  
1 4-17-2012  
2 4-26-2012

SHEET NO.  
7 of 14

PLOTTED: Thursday, April 26, 2012 @ 05:47PM

J:\PROJECTS\2012\1201010135-CHICK-FIL-A-5-CIVIL\CAD\SWS\1201010135\_D2.DWG