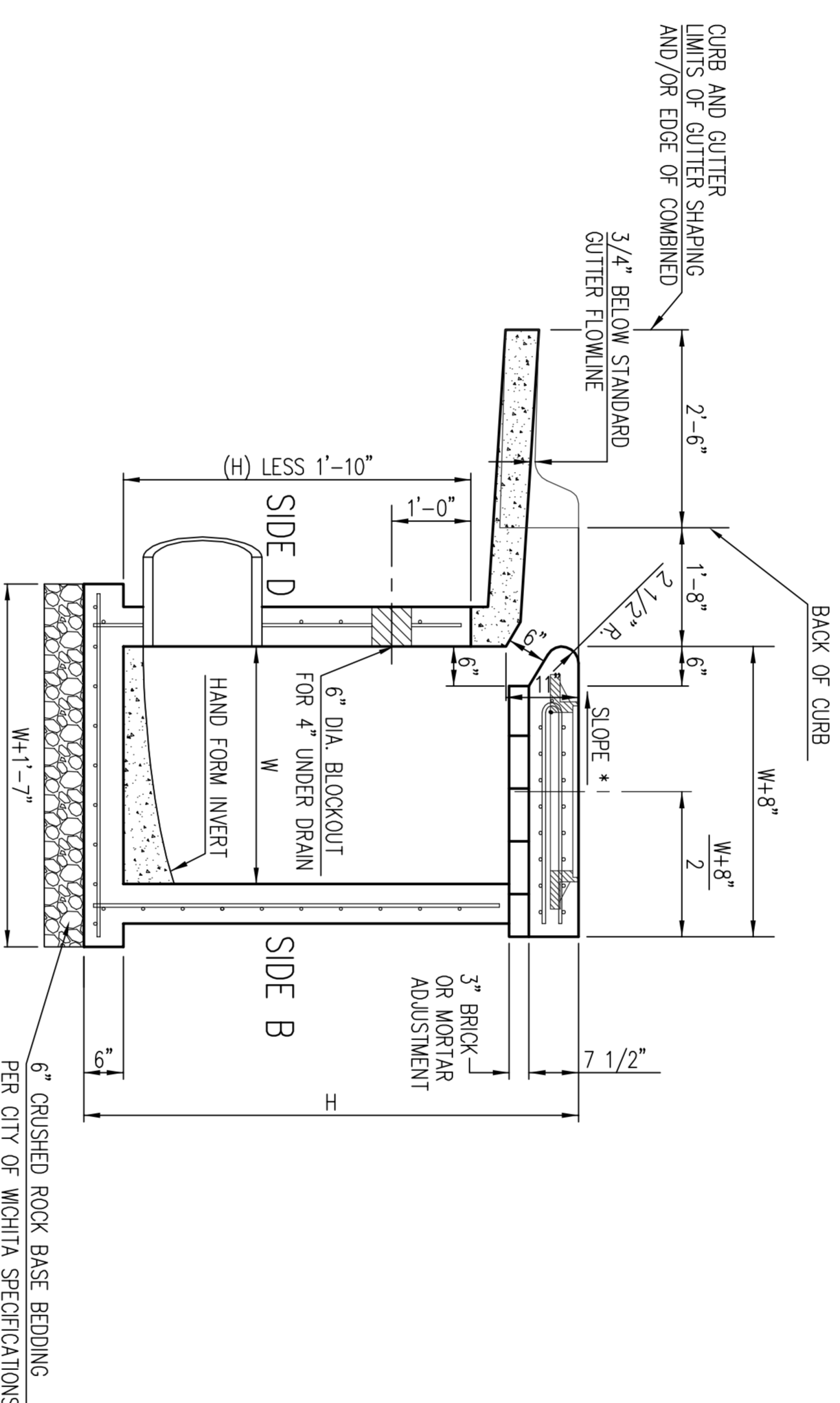
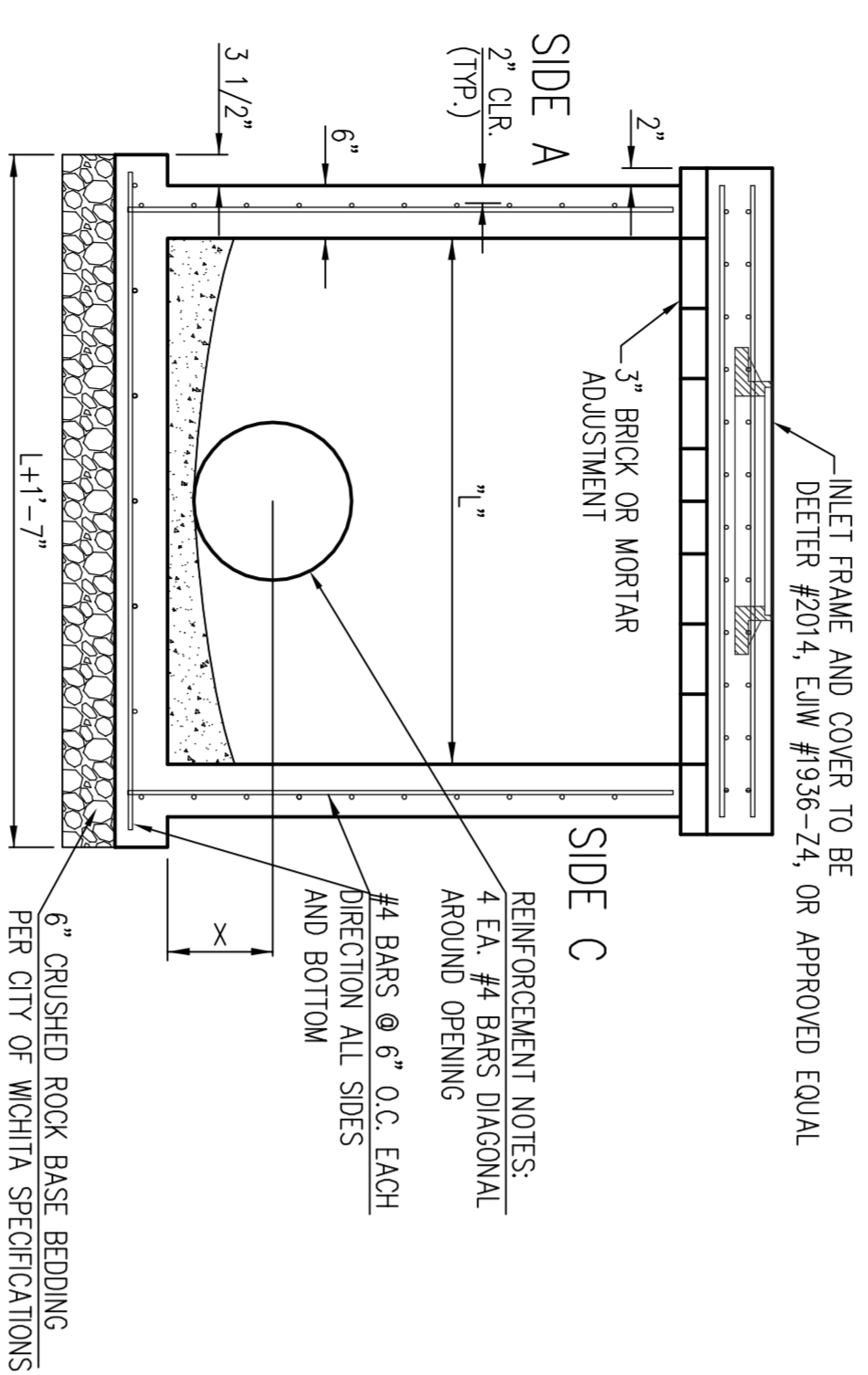


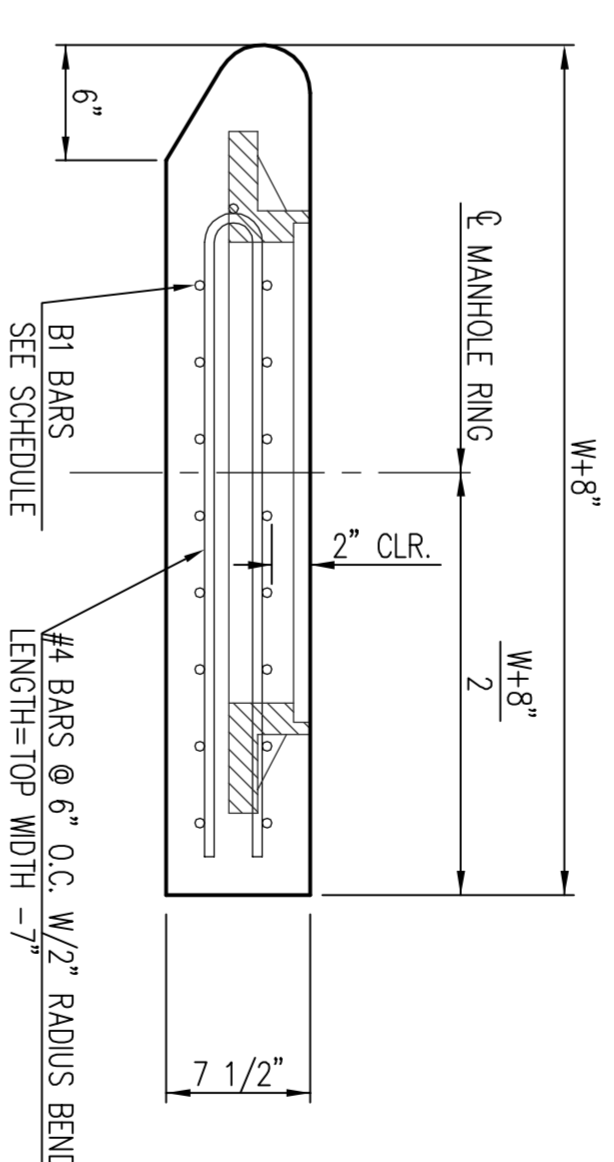
BAR SCHEDULE		
INLET OPENING	BI BARS	SPACING
5'-0"	#4	4"
10'-0"	#6	3.5"

PRECAST CURB INLET WIDTHS		
W	PRE-CAST TOP SIZE WIDTH	PIPE DIA.**
3'-0"	W+8"	21" & SMALLER
4'-0"	W+8"	24" & 30"
5'-0"	W+8"	36" & 42"
6'-0"	W+8"	48" & 54"
7'-0"	W+8"	60" & 66"

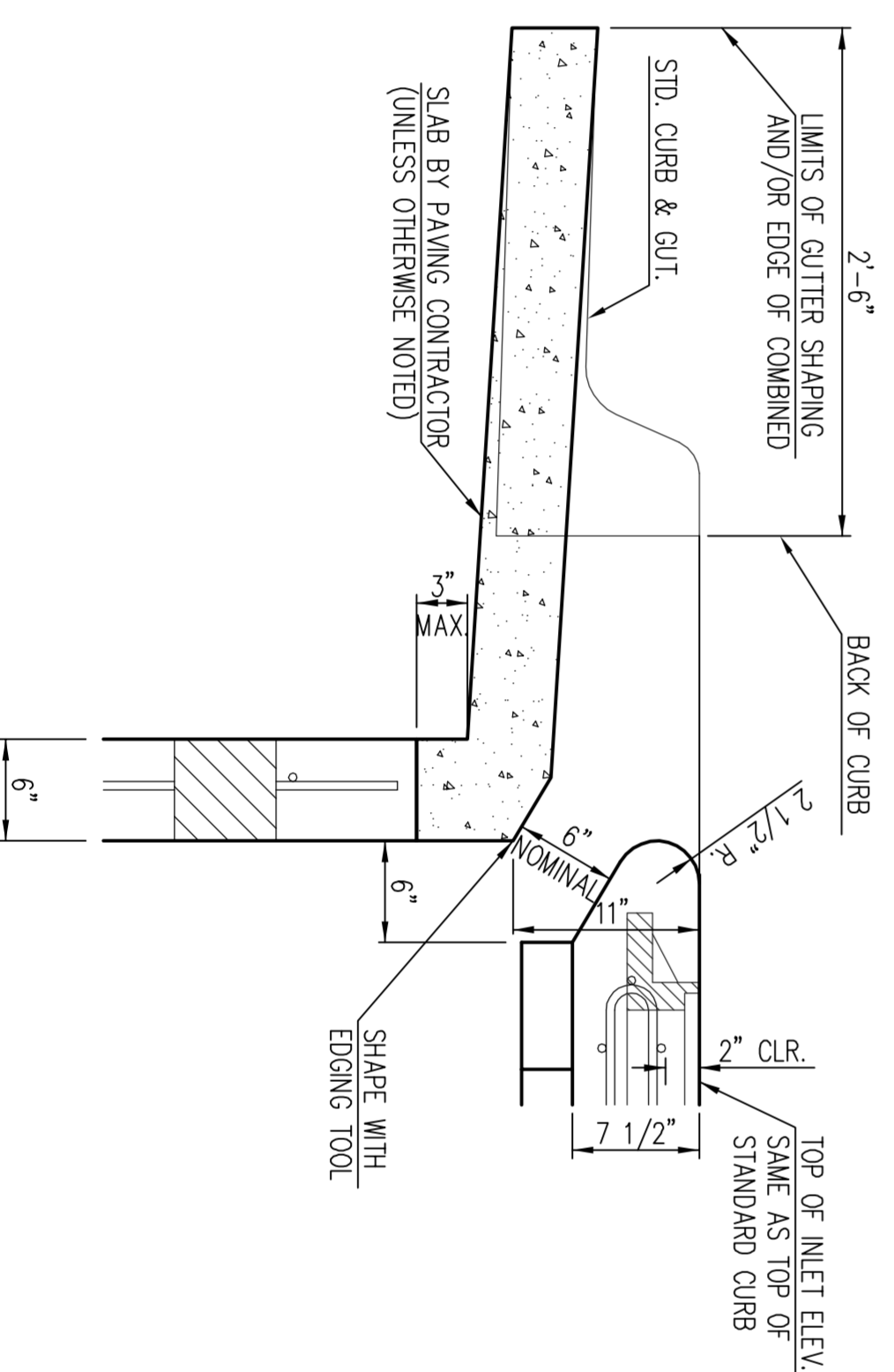
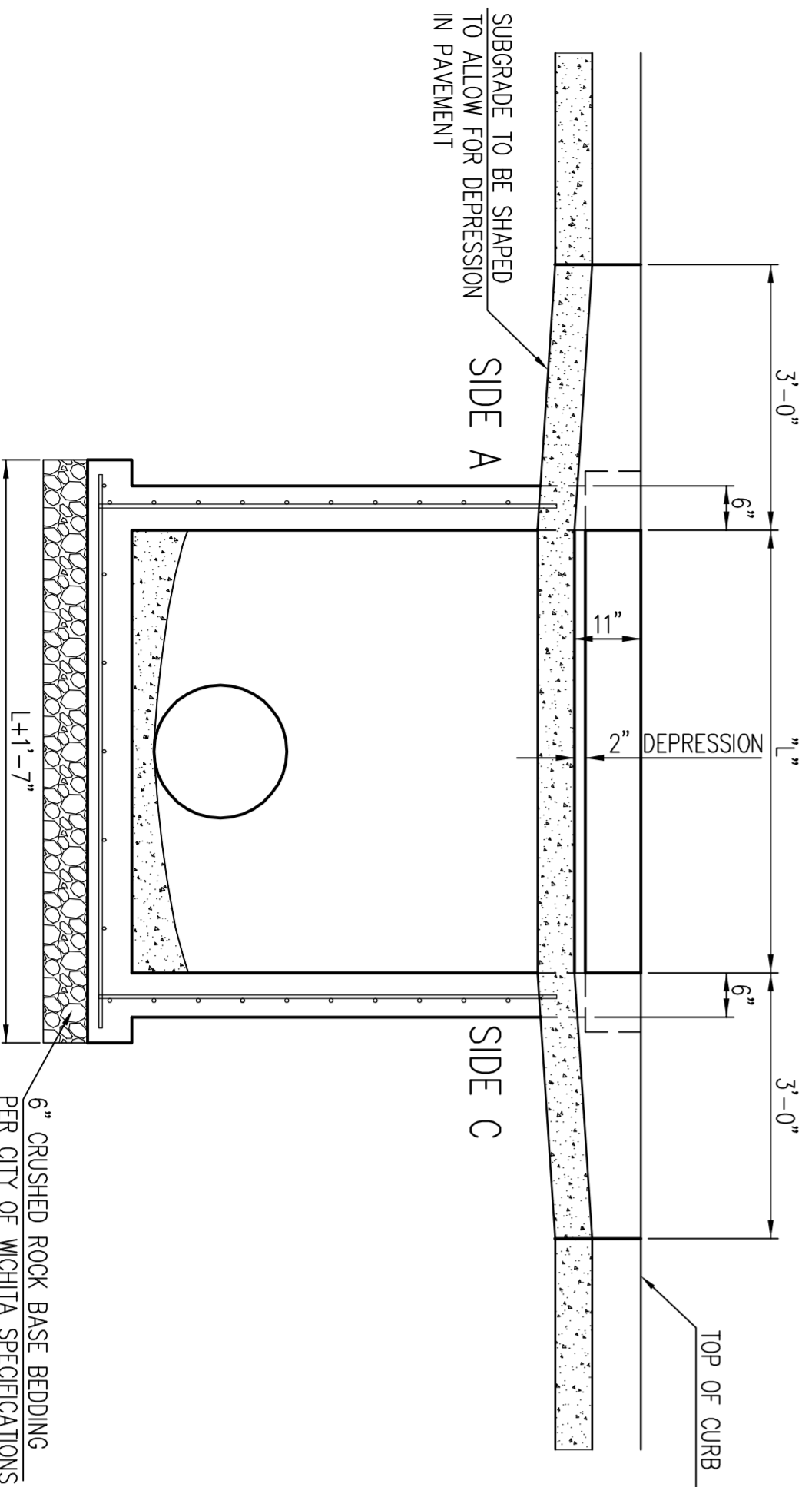
** FOR PIPES PERPENDICULAR TO INLET WALL




NOTES:
 * SLOPE OF INLET TOP TO MATCH SIDEWALK OR PARKING SLOPES WITHIN LIMITS INDICATED.



- GENERAL NOTES**
- CONCRETE TOPS TO BE INSTALLED ON THIN MORTAR CUSHION TO INSURE FULL SUPPORT ALONG BRICK. CONCRETE TOPS MAY BE CAST IN PLACE OR PRECAST. CONCRETE USED FOR INLET CONSTRUCTION SHALL CONFORM TO CITY OF WICHITA SPECIFICATIONS FOR CONCRETE PAVEMENT MIX.
 - CONTRACTOR SHALL HAVE THE OPTION OF CONSTRUCTING 8" BRICK MASONRY WALLS BETWEEN THE CONCRETE INLET BASE AND TOP OF THIS INLET WHEN W=5'-0" AND H=7'-0" OR LESS.
 - INLET INVERT SHALL BE SHAPED WITH 8 SACK SAND MIX CONCRETE TO CREATE FLOW CHANNELS AND TO INCREASE HYDRAULIC EFFICIENCY SUCH THAT THE INLET WILL BE SELF CLEANING BETWEEN ALL INLET AND/OR OUTLET PIPES.
 - THE ENDS OF ALL PIPES INSTALLED IN INLETS SHALL BE CUT OFF FLUSH WITH THE INSIDE FACE OF THE INLET WALL.
 - INLET FRAME AND COVER TO BE DEETEK #2014, EIW #936-24, OR APPROVED EQUAL, SEE SW-303.
 - CONTRACTOR SHALL REMOVE LIFTING HOOKS AFTER INSTALLATION. RECESSES IN INLET WALL SHALL BE GROUDED FLUSH TO THE INLET WALL WITH HYDRAULIC CEMENT AFTER THE INLET IS IN PLACE. LIFTING HOLES THRU THE INLET WALL WILL NOT BE ACCEPTED.





CITY OF WICHITA
PUBLIC WORKS & UTILITIES
ENGINEERING DIVISION

**STANDARD TYPE 1A
CURB INLET
5'-0" OR 10'-0" OPENING**

Gary Janzen, P.E.
Interim City Engineer

PROJECT NUMBER	468-84775	DATE	6/05/12
CITY ENGINEER'S OFFICE	CITY HALL - SEVENTH FLOOR 435 NORTH MAIN STREET WICHITA, KANSAS 67202-1620 (316) 268-4501	DESIGN	Staff
DRAWN	Staff	SHEET	12 of 16