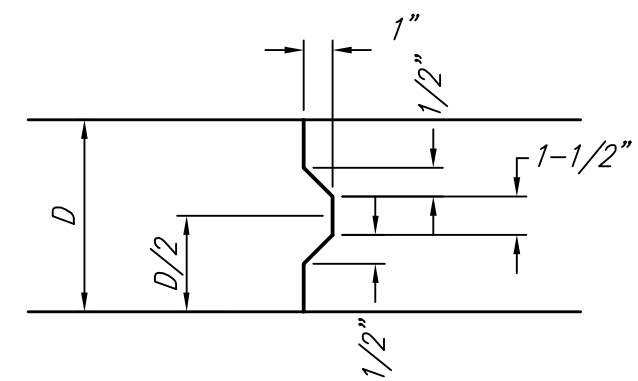
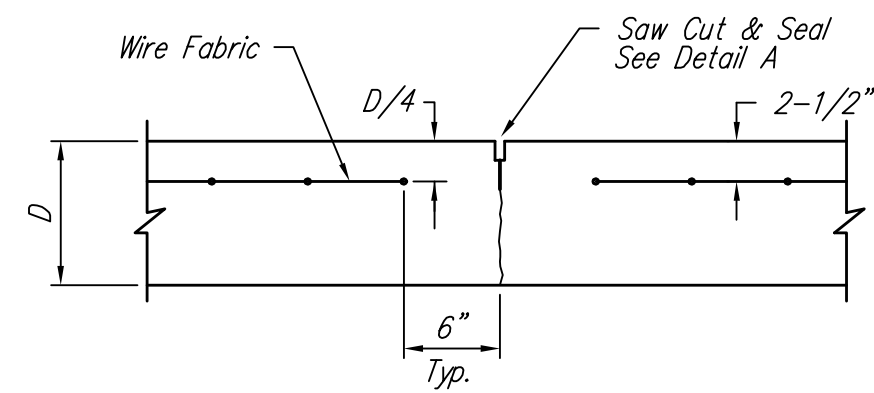


**EXPANSION JOINT**

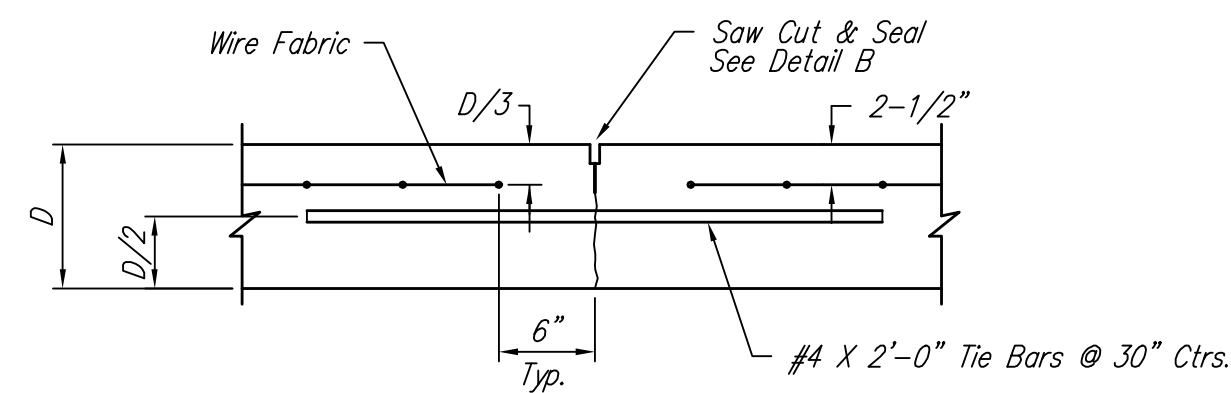
NOTE: Extra Thickness to be Subsidiary to Price of Square Yards Pavement



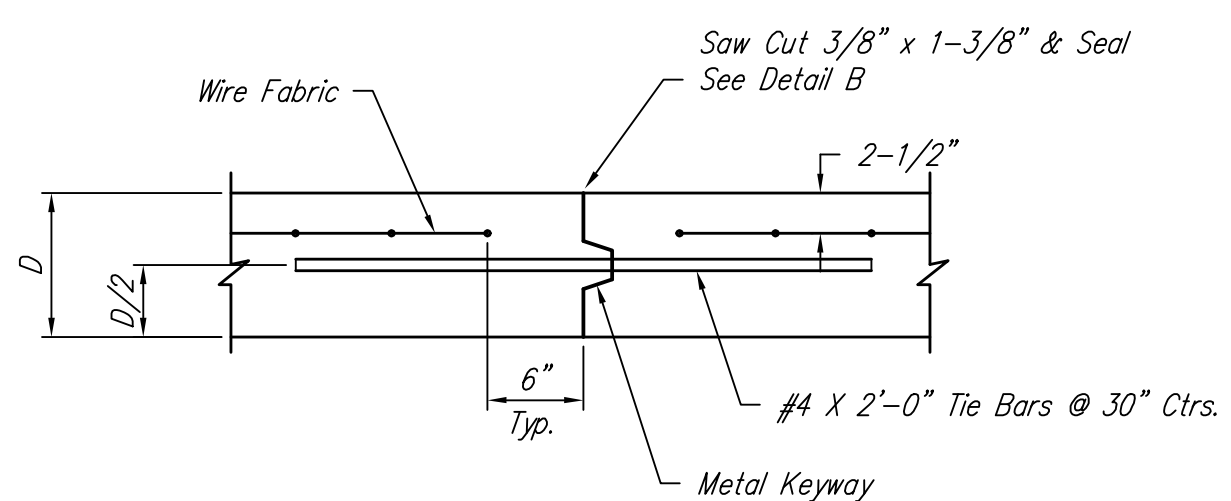
**KEYWAY DETAIL**



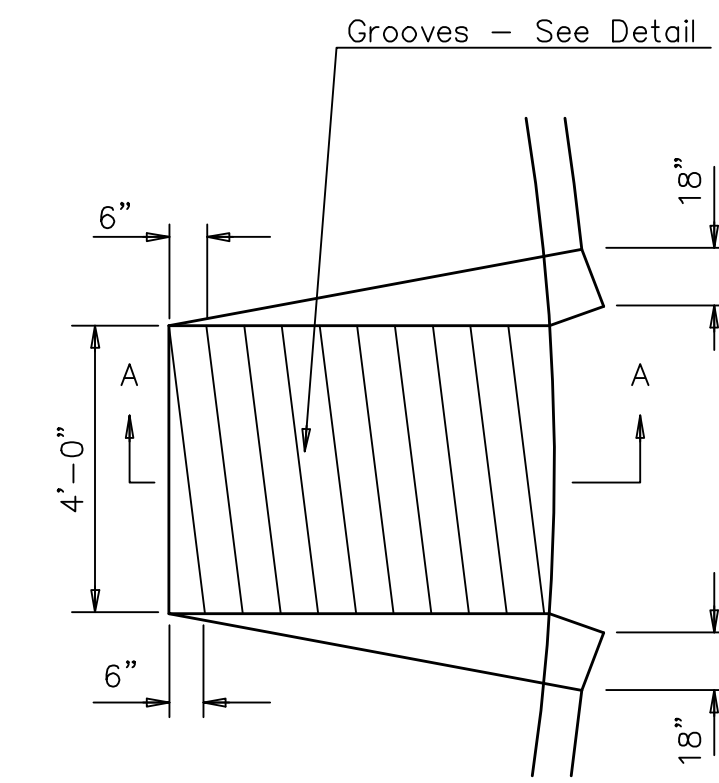
**CONTRACTION JOINT DETAIL (C.J.)**



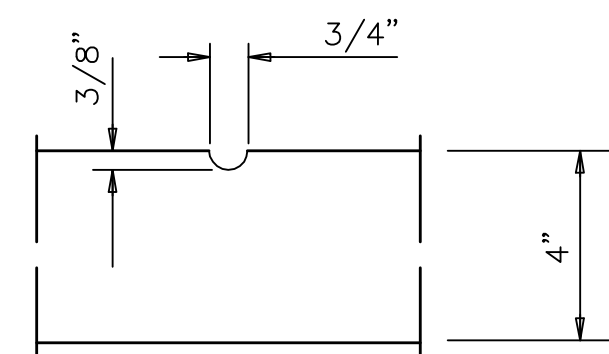
**LONGITUDINAL JOINT DETAIL (L.J.)**



**OPTIONAL LONGITUDINAL JOINT DETAIL (L.J.) (CONSTRUCTION JOINT)**

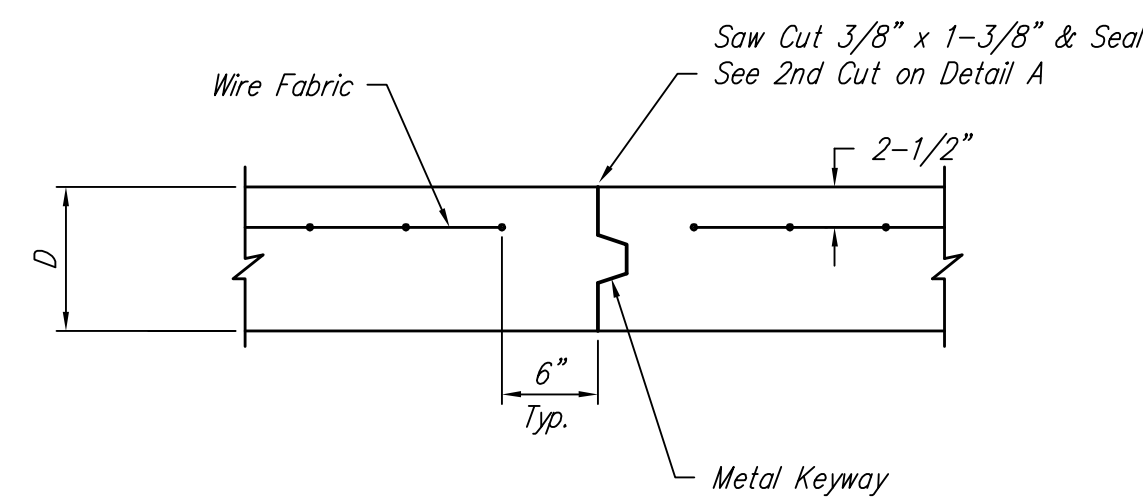


**WHEELCHAIR RAMP PLAN VIEW**

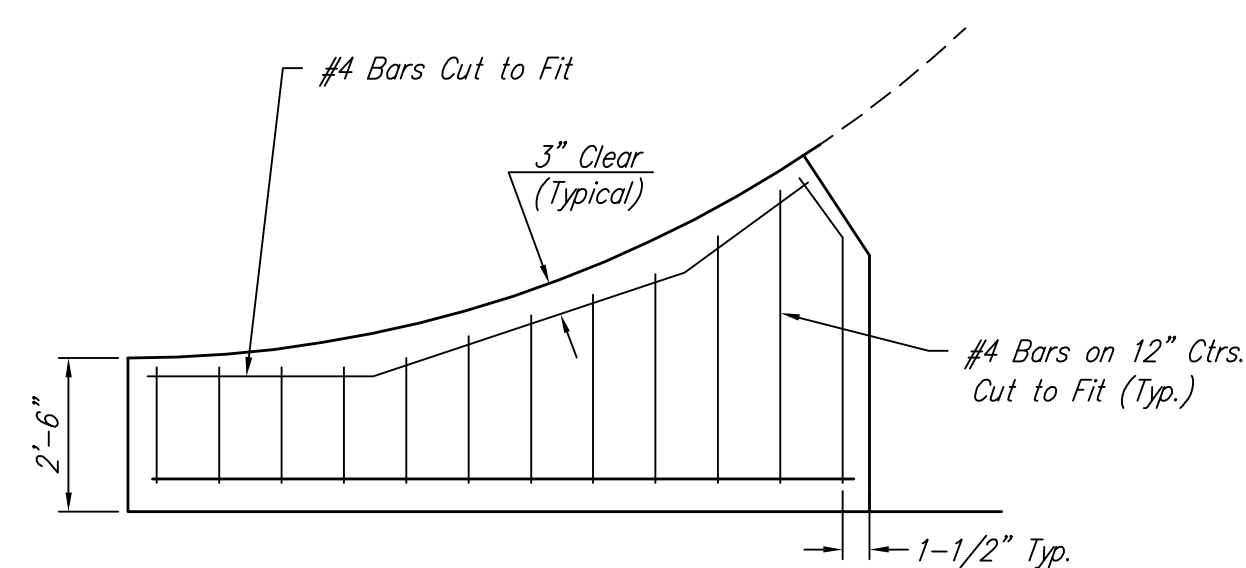


**GROOVE DETAIL**

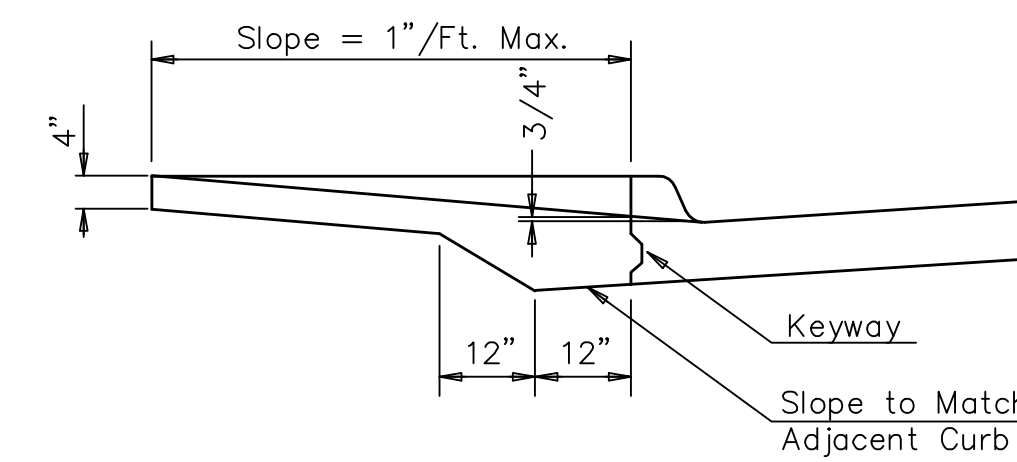
**WHEELCHAIR RAMP DETAIL**



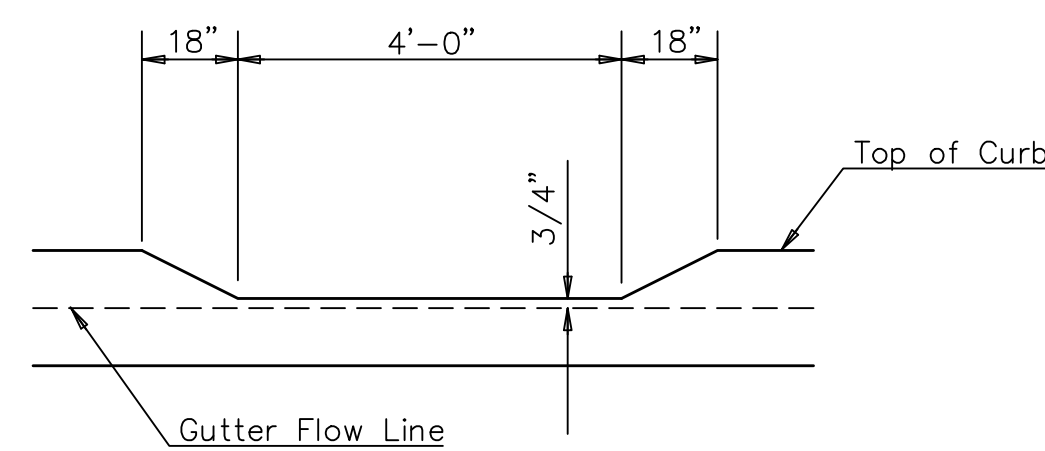
**OPTIONAL CONTRACTION JOINT (CONSTRUCTION JOINT)**



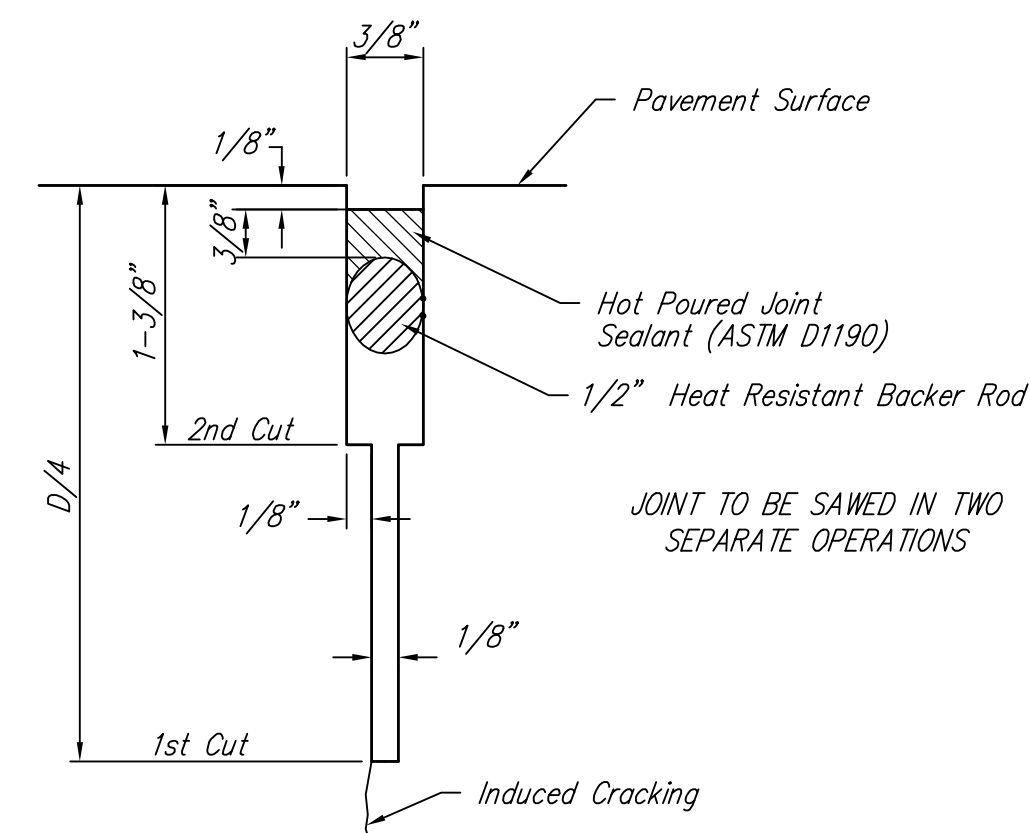
**WING REINFORCING DETAIL**



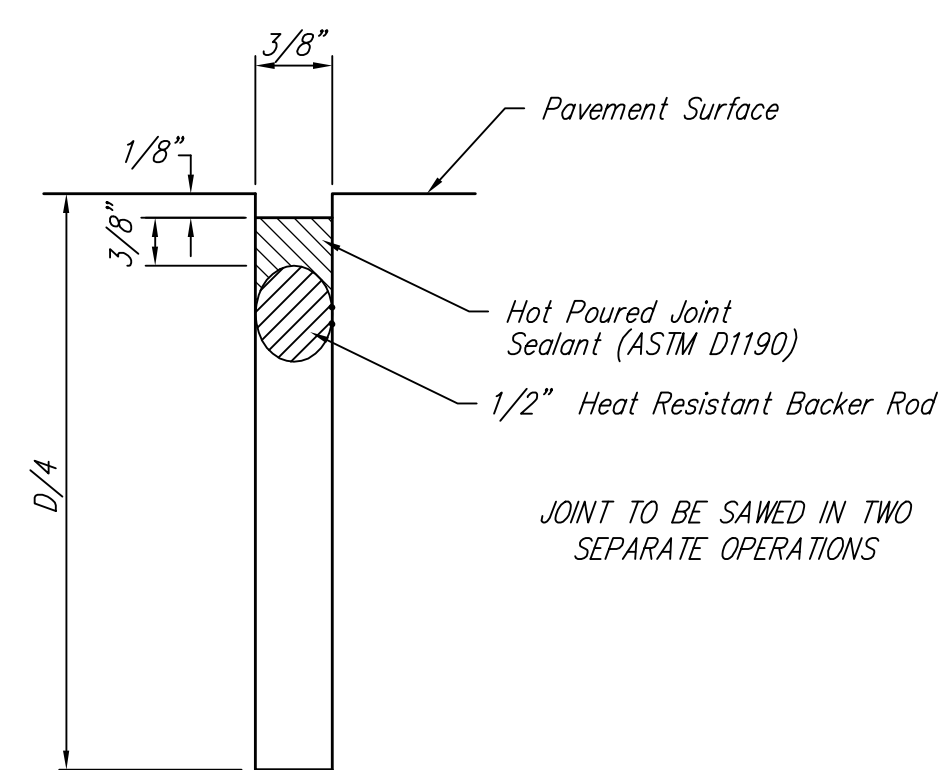
**SECTION A-A**



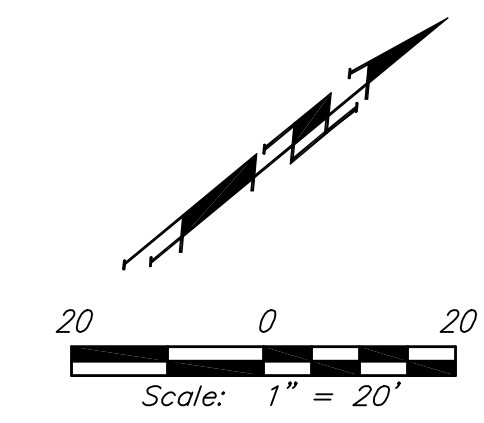
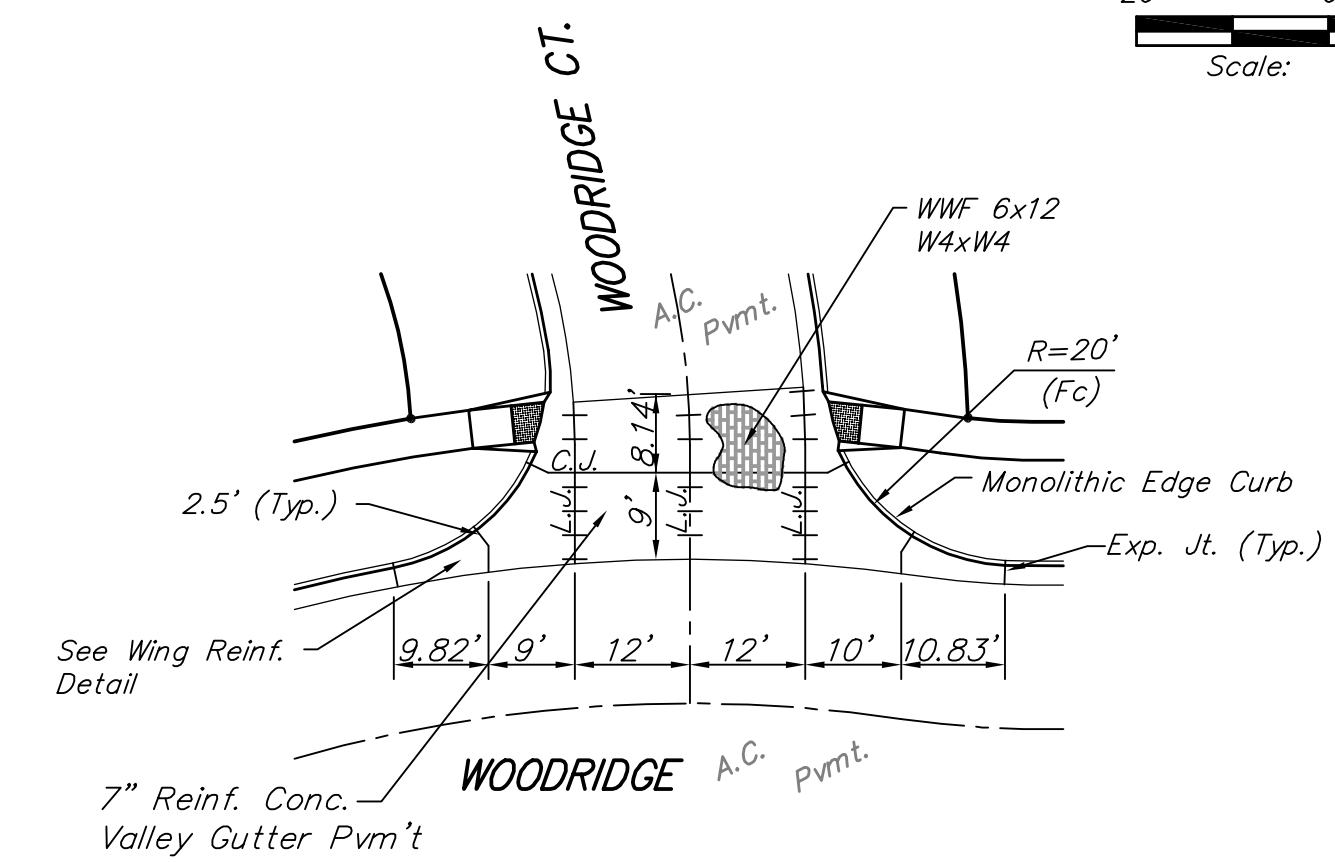
**DEPRESSED CURB DETAIL**



**SAW JOINT DETAIL "A"**



**SAW JOINT DETAIL "B"**



NOTE: 6" X 12" W4XW4 Wire Fabric Reinforcing Shall Be Placed So That The Wires With The 6" Spacing Will Run Parallel With The Longitudinal Joints.

<b>B</b> Baughman		<b>VALLEY GUTTER DETAILS</b>	
Baughman Company, P.A. 515 Ellis St. Wichita, KS 67211 P 316-2637271 F 316-2634149 ENGINEERING   SURVEYING   PLANNING   LANDSCAPE ARCHITECTURE			
PROJECT NUMBER	DESIGN STAFF	DRAWN STAFF	
REVISIONS:	APPROVED	DATE	
	SCALE	NONE	
	SHEET	<b>6 OF 35</b>	
06_Vgdetail.dwg		09-12-E428	