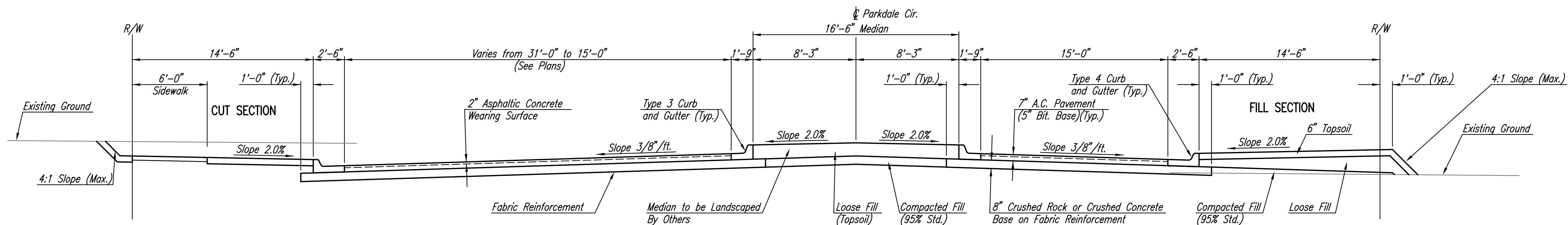


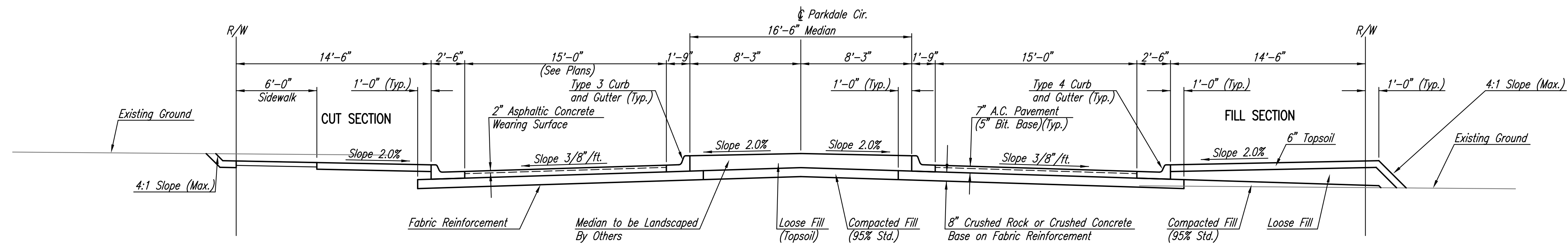
**TYPICAL SECTION**

Sta. 10+60.00 to Sta. 11+20.00  
Parkdale Circle



**TYPICAL SECTION**

Sta. 11+20.00 to Sta. 12+67.10  
Parkdale Circle



**TYPICAL SECTION**

Sta. 13+56.10 to Sta. 15+57.25  
Parkdale Circle

**GENERAL NOTES**

FABRIC BASE REINFORCEMENT SHALL BE AN APPROVED GEOGRID PER CITY OF WICHITA STANDARD SPECIFICATIONS AND SPECIAL PROVISIONS. FABRIC BASE REINFORCEMENT SHALL BE INSTALLED IN ACCORDANCE WITH MANUFACTURER'S RECOMMENDATIONS.

ROCK BASE IS TO BE COMPACTED AND SMOOTHED WITH A STEEL FACED ROLLER PRIOR TO PLACEMENT OF ASPHALT. TACK COAT WILL NOT BE APPLIED TO ROCK BASE.

A TACK COAT OF EMULSIFIED ASPHALT (SC-1H OR CSS-1H) SHALL BE APPLIED AT AN APPROXIMATE RATE OF 0.05 GALLONS PER SQUARE YARD BETWEEN EACH LIFT OF ASPHALTIC MATERIAL.

BITUMINOUS BASE AND ASPHALTIC CONCRETE WEARING SURFACE SHALL BE PLACED WITH A LAYDOWN MACHINE HAVING AUTOMATIC CONTROLS FOR LINE AND GRADE. USE OF RAP MATERIAL IN ASPHALT MIX SHALL BE IN ACCORDANCE WITH THE CITY OF WICHITA STANDARD SPECIFICATIONS AND SPECIAL PROVISIONS.

CONSTRUCTION JOINTS IN EACH LIFT SHALL BE STAGGERED A MINIMUM DISTANCE OF ONE (1) FOOT FROM JOINTS IN PRECEDING LIFTS AND PLACED SO THAT A JOINT WILL BE CONSTRUCTED ON THE CENTERLINE OF THE TOP LIFT.

THE ASPHALTIC CONCRETE PAVEMENT BETWEEN THE COMBINED CURB AND GUTTER SHALL BE PAID AS SQUARE YARDS OF 7" ASPHALTIC CONCRETE (5" BITUMINOUS BASE).

EARTHWORK SUMMARY (C.Y.)			
	Unclassified Excavation	Compacted Fill (95%)	Fill**
Parkdale Circle	2,145	136	424
Mass Grading	71,505		58,360
<b>TOTALS</b>	<b>73,650</b>	<b>136</b>	<b>58,784</b>

\*\*FOR INFORMATION ONLY--NOT A PAY ITEM. NO SHRINKAGE FACTOR HAS BEEN APPLIED.

ESTIMATED WASTE MATERIAL AT PROJECT COMPLETION=  
73,650 - (58,920/0.80) = 0 C.Y.  
VMF = 0.80 (ASSUMED)


WASTE MATERIAL SHALL BE SPREAD ON PROJECT SITE, BLADED SMOOTH AND SLOPED TO DRAIN.

THE CONTRACTOR SHALL SATISFY THEMSELVES WITH THE EARTHWORK QUANTITIES AND NO CHANGE ORDER FOR EARTHWORK WILL BE APPROVED.

CADD FILES FOR THE SITE GRADING WILL BE MADE AVAILABLE UPON REQUEST.

SEE SHEET NO. 10 FOR CURB & GUTTER DETAILS

Sowed 12-21-2012 4:42:58 PM by BJS  
 Plot Scale 1:5 12-21-2012 5:38:55 PM by BJS  
 C:\2011\1114\000\1114-000-066-TYPICAL PAVT SECTION

No.	Revision	By	Date
NEWMARKET OFFICE 2ND PAVING AND INCIDENTAL DRAINAGE IMPROVEMENTS <b>TYPICAL PAVEMENT SECTIONS</b> GARY JANZEN, P.E. - CITY ENGINEER CITY OF WICHITA PROJ. NO. 472-84990  PROFESSIONAL ENGINEERING CONSULTANTS, P.A. 303 SOUTH TOPEKA WICHITA, KS 67202 316-262-2691 www.pec1.com			
Designed by	BMM, JAG	Job No.	35-1114-000
Drawn by	BJS	Date	July 2011
			Sht. 6 of 31