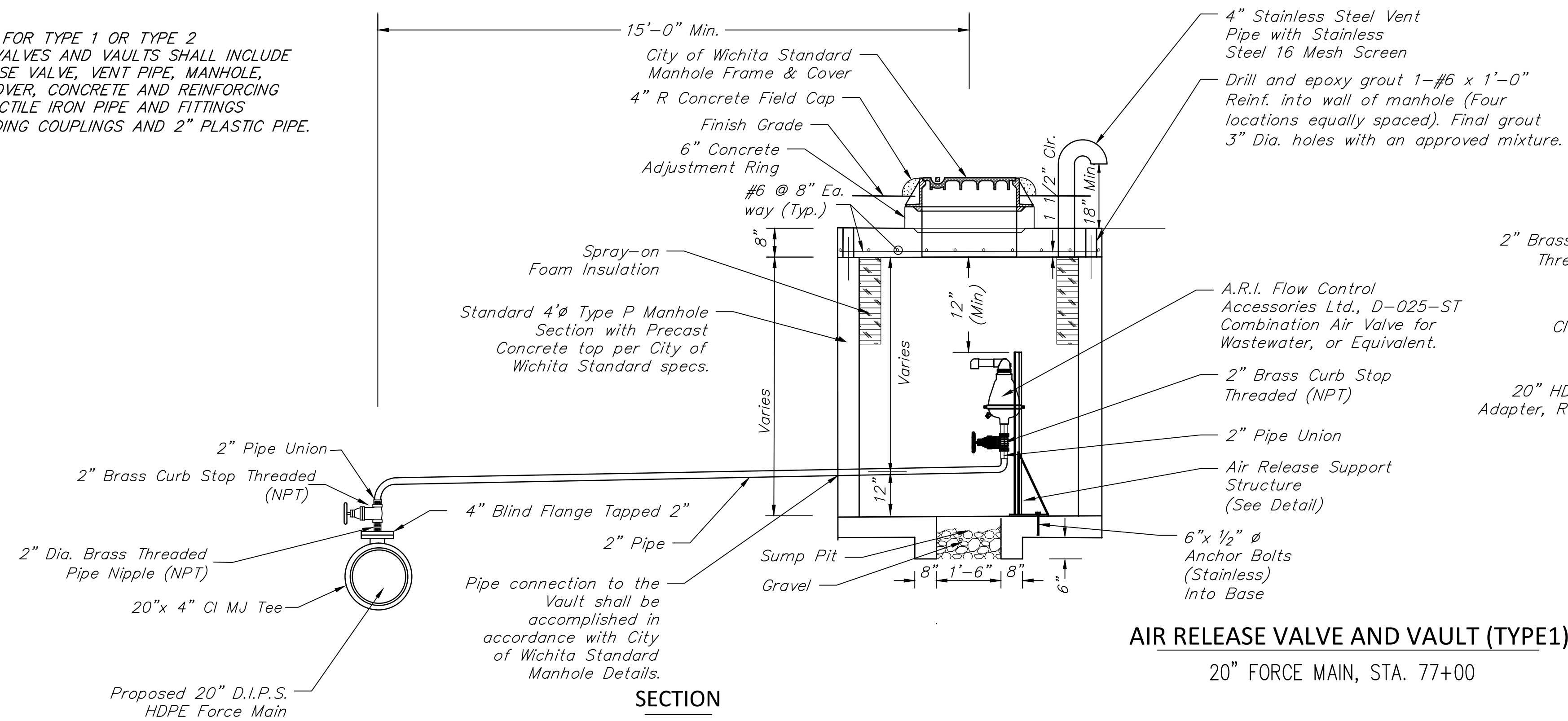
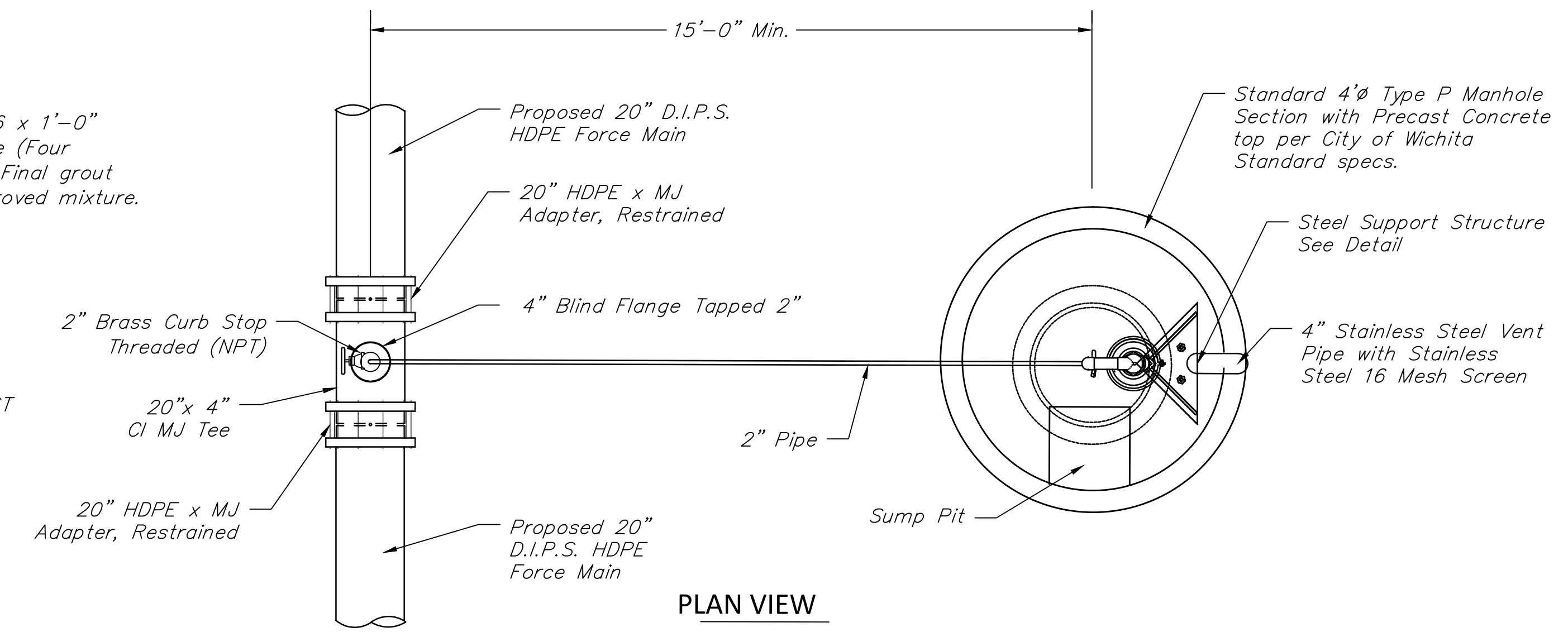


NOTE:
THE PRICE BID FOR TYPE 1 OR TYPE 2
AIR RELEASE VALVES AND VAULTS SHALL INCLUDE
THE AIR RELEASE VALVE, VENT PIPE, MANHOLE,
FRAME AND COVER, CONCRETE AND REINFORCING
STEEL. ALL DUCTILE IRON PIPE AND FITTINGS
SHOWN, INCLUDING COUPLINGS AND 2" PLASTIC PIPE.

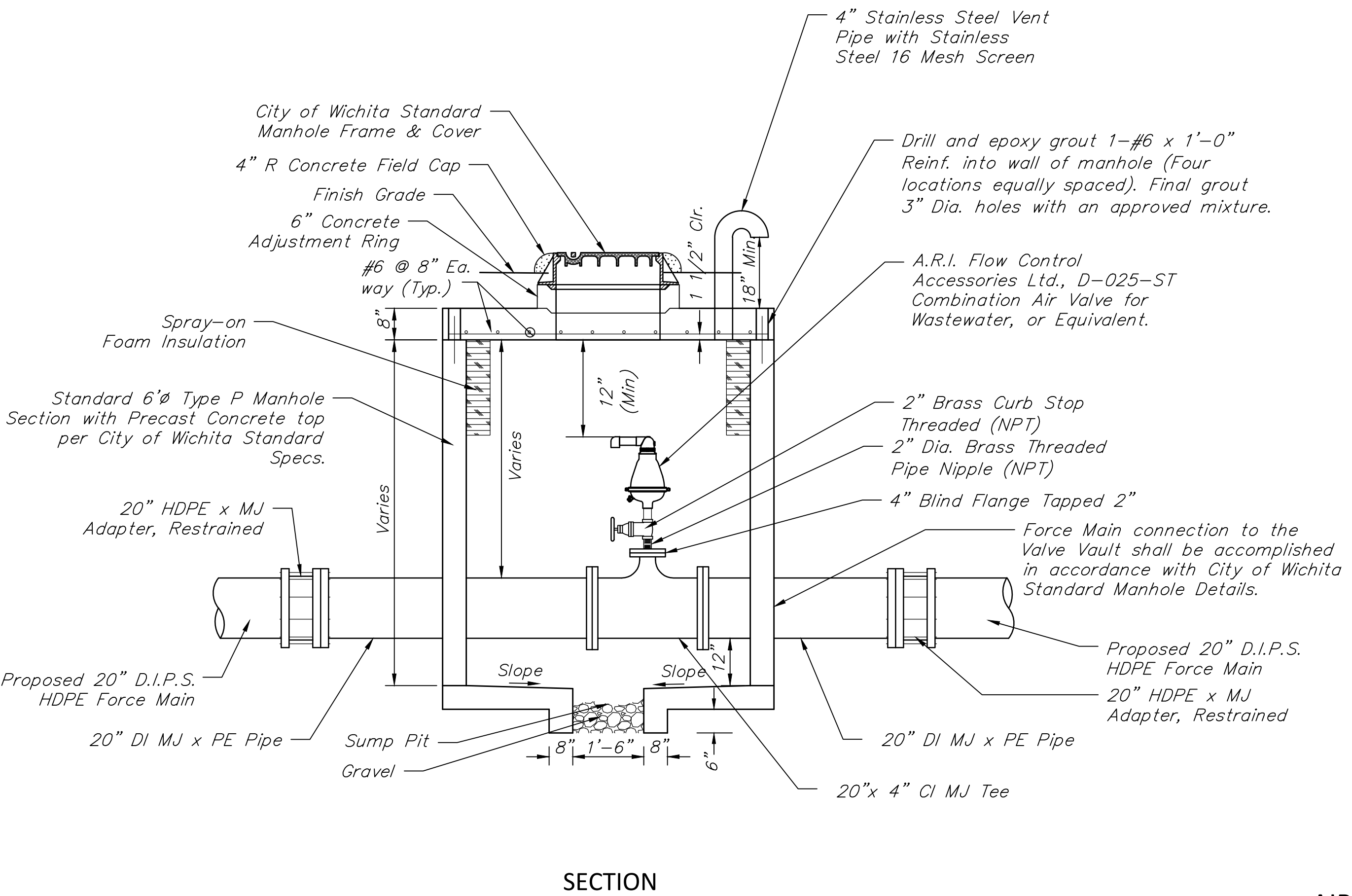
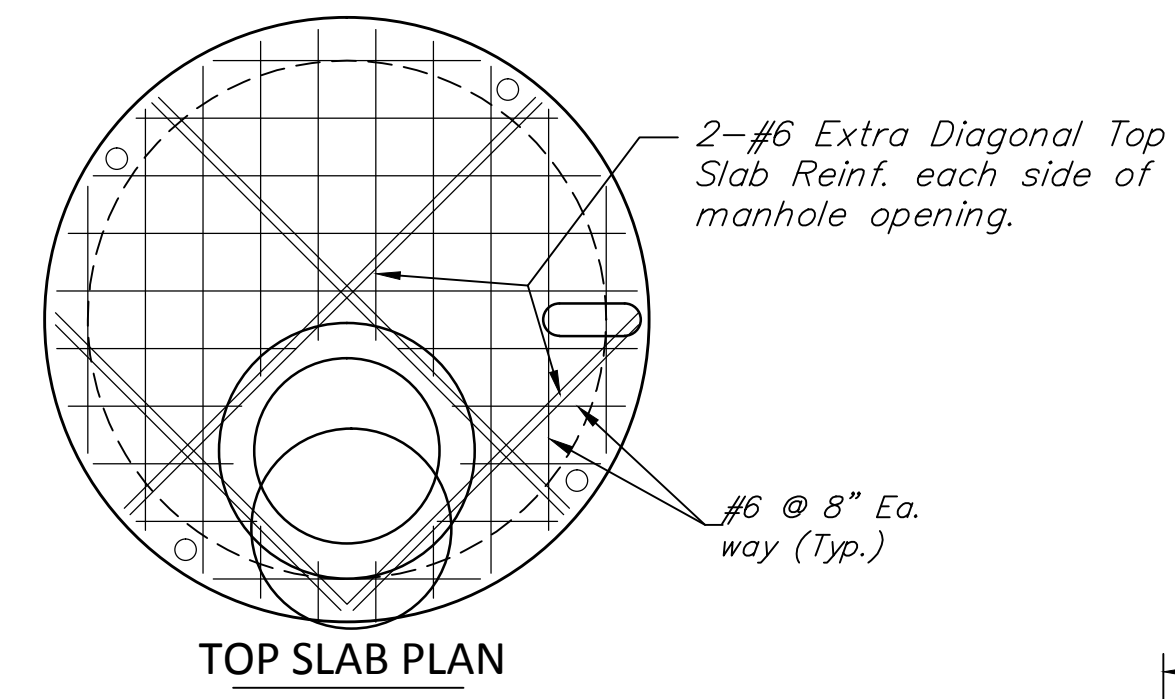
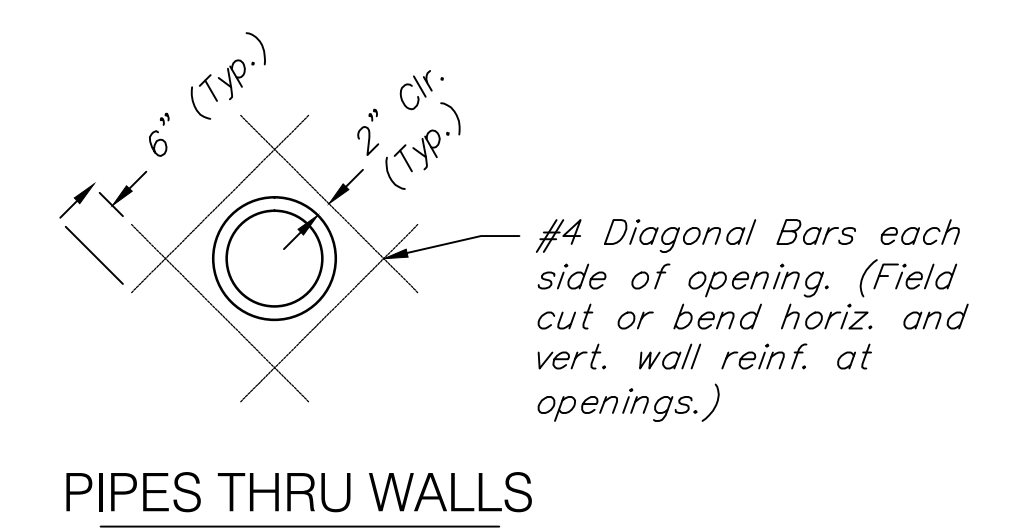
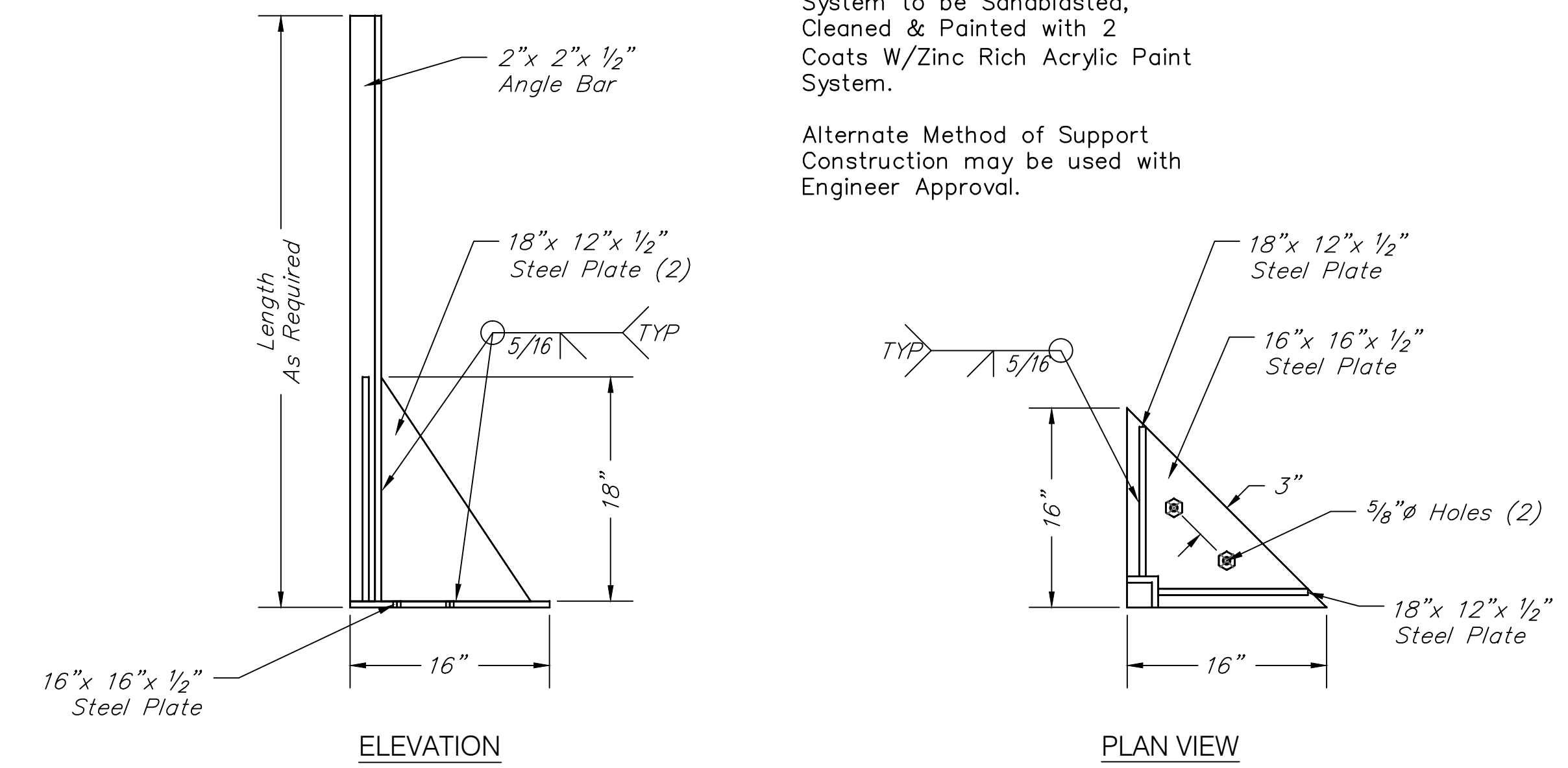


AIR RELEASE VALVE AND VAULT (TYPE 1)
20" FORCE MAIN, STA. 77+00



NOTE:
Fabricated Steel Support System to be Sandblasted, Cleaned & Painted with 2 Coats W/Zinc Rich Acrylic Paint System.

Alternate Method of Support Construction may be used with Engineer Approval.



AIR RELEASE VALVE AND VAULT (TYPE 2)
20" FORCE MAIN, STA. 15+94.30, 38+60.00, & 114+26.60

