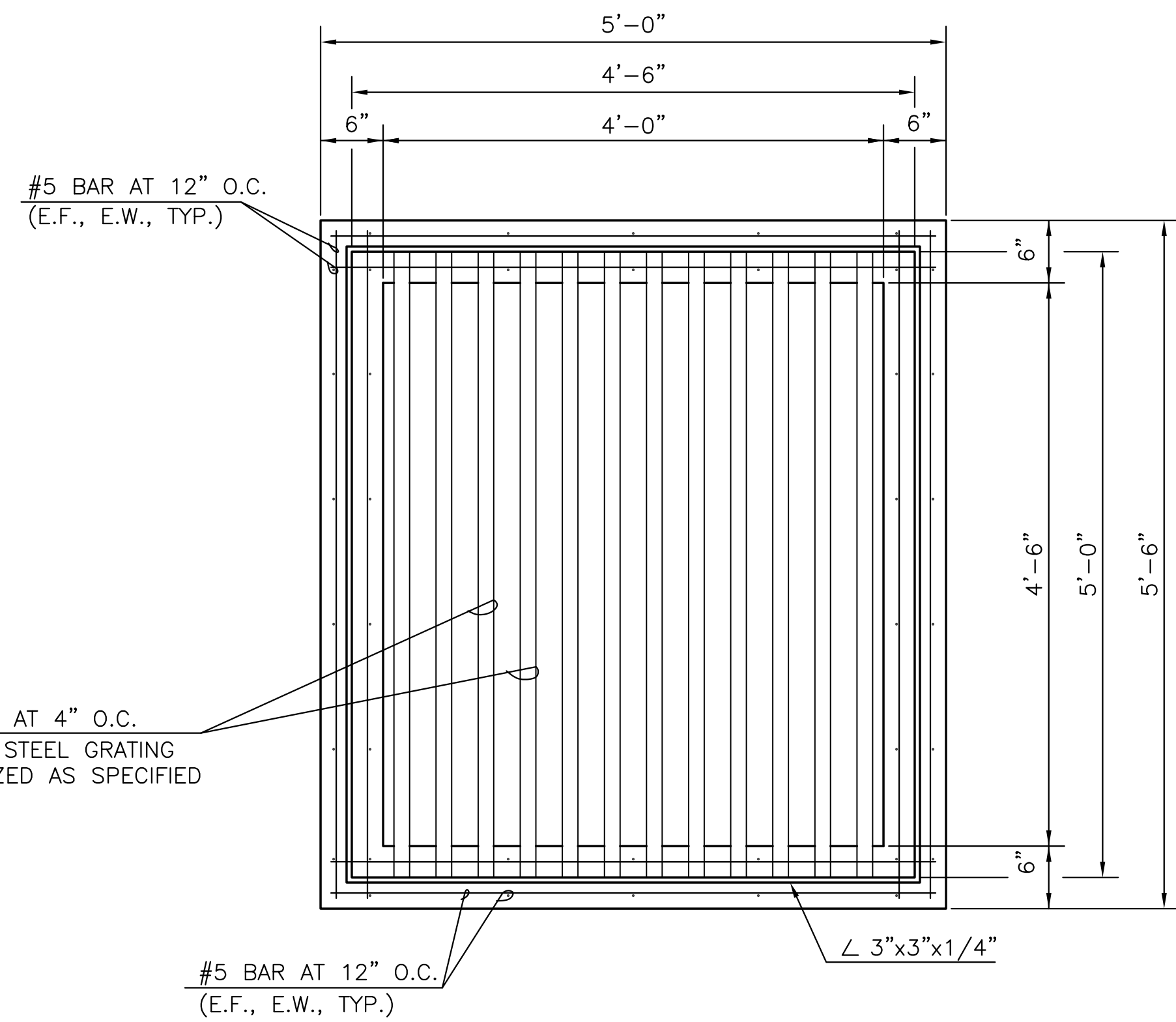


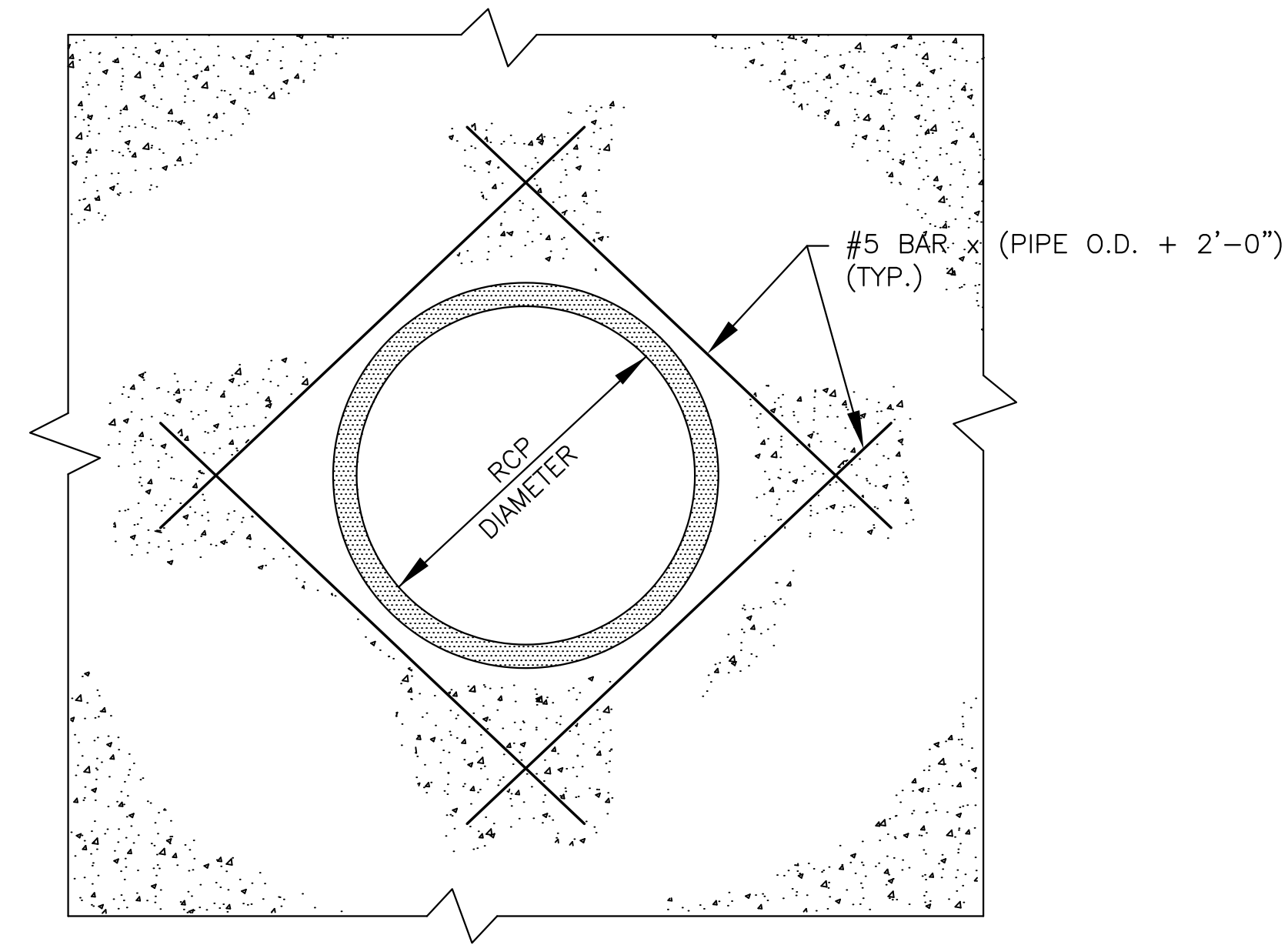
PLOTTED: Tuesday, July 09, 2013 @ 02:55PM

J:\CIVIL\05291\DWG\CIVIL\3D\5-CIVIL\CAD\9\PHASE 5\05291\_LDI1.DWG



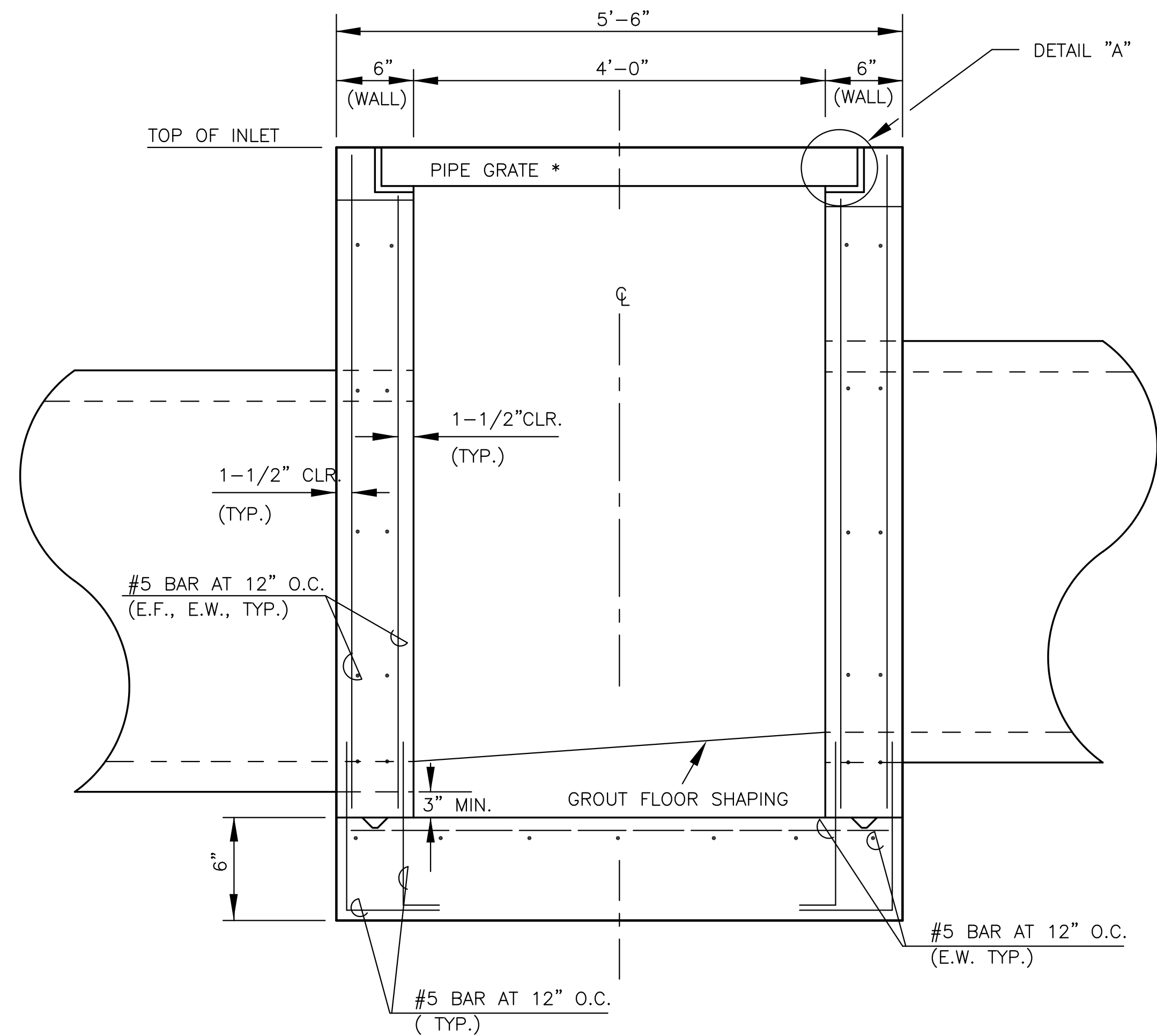
**PLAN VIEW**

CONTRACTOR MAY SUBSTITUTE 8" BRICK WALL FOR 6" REINFORCED CONCRETE WALL.



**NOTE:**  
CUT REINFORCING AS REQUIRED TO CLEAR RCP.

**TYPICAL REINFORCING AT PIPE**

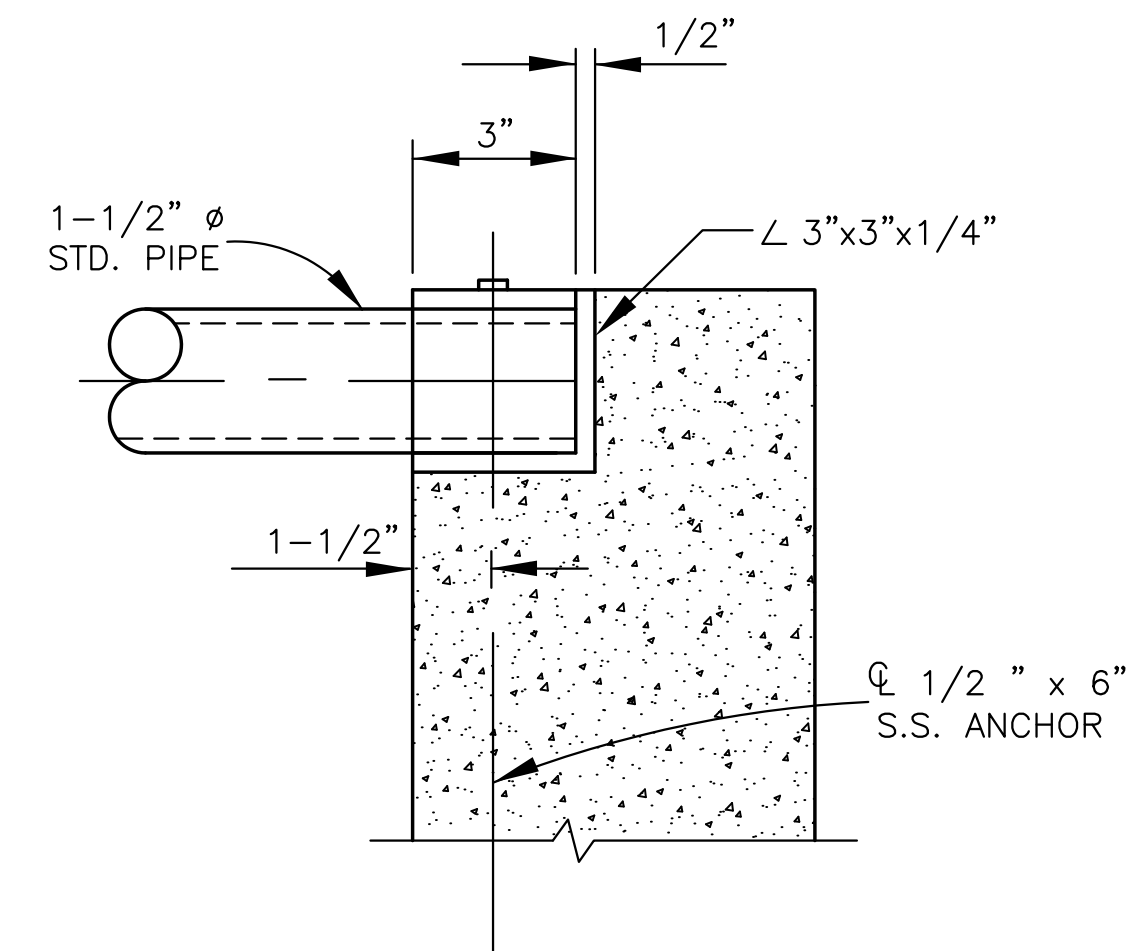


**ELEVATION VIEW**

**REINFORCED CONCRETE AREA INLET**

**MATERIAL SPEC'S**

- MORTAR - TYPE "M"
- BRICK - ASTM C62 GRADE MW
- STEEL - ASTM A36 OR EQUIVALENT
- GALV. ASTM A-123 STDS.
- CONCRETE -  $F'_c = 4,000$  PSI MINIMUM WITH 6 SACKS OF CEMENT PER CUBIC YARD MINIMUM.



**NOTE:**  
FABRICATED STEEL GRATING SHALL BE GALVANIZED AS SPECIFIED BY ASTM A-123.

**DETAIL "A"**

ORIFICE EQUATION				
$Q = C \cdot A \cdot \sqrt{2gh}$				
h (DEPTH)	2g	C	A	Q
0.5	64.4	0.7	8.625	34.3 cfs
1.0	64.4	0.6	8.625	41.5 cfs
2.0	64.4	0.6	8.625	58.7 cfs
2.0	64.4	0.7	8.625	68.5 cfs
3.0	64.4	0.6	8.625	71.9 cfs
4.0	64.4	0.6	8.625	83.1 cfs
5.0	64.4	0.6	8.625	92.9 cfs
6.0	64.4	0.6	8.625	101.7 cfs
7.0	64.4	0.6	8.625	109.9 cfs
8.0	64.4	0.6	8.625	117.5 cfs

©2013 MKEC Engineering All Rights Reserved www.mkec.com  
These drawings and their contents, including, but not limited to, all concepts, designs, & ideas are the exclusive property of MKEC Engineering (MKEC), and may not be used or reproduced in any way without the express consent of MKEC.

**AREA INLET DETAILS**

PROJECT NO.	468-84835	
DATE	JULY 2013	
SCALE	AS SHOWN	
DESIGNED	DRAWN	CHECKED
AJK	KKL	GJA
#	----	###/###
NO.	REVISION	DATE

SHEET NO.