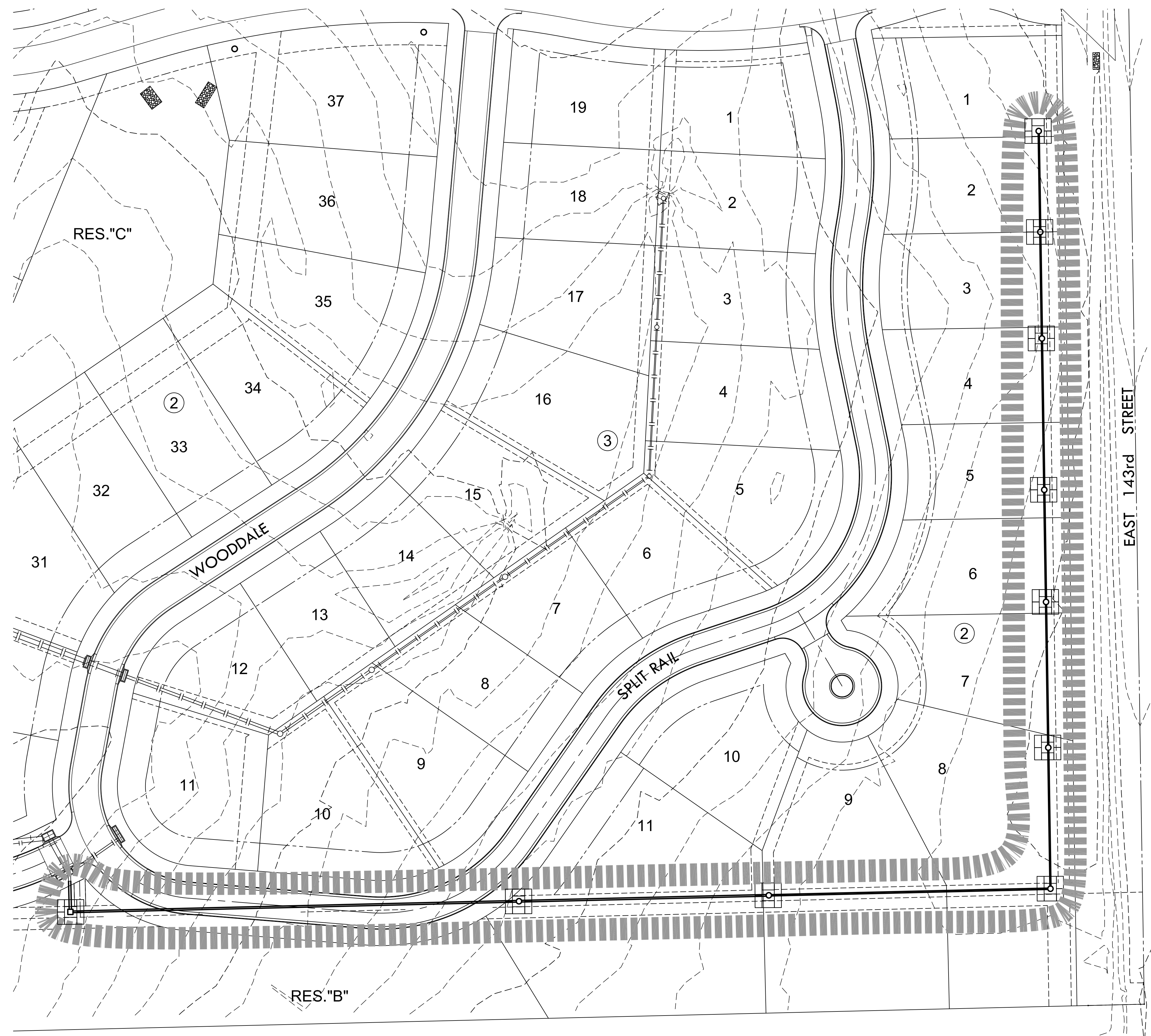


PLOTTED: Tuesday, July 09, 2013 @ 02:58PM

J:\CIVIL\05291\DWG\CIVIL\3D\5-CIVIL\CAD\DWG\PHASE 5\05291_EROSION.DWG

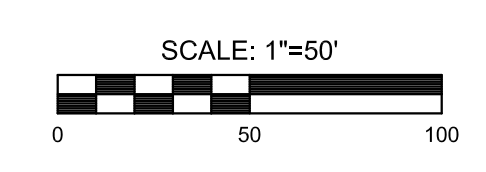


EROSION CONTROL NOTES


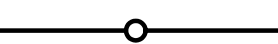
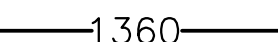

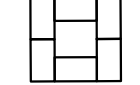
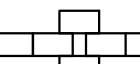
1. EROSION CONTROL IS TO MEET ALL FEDERAL, STATE, COUNTY & LOCAL CODE STANDARDS.
2. CONTRACTOR SHALL PROVIDE AND PRESERVE EROSION PROTECTION THROUGHOUT PROJECT CONSTRUCTION. THE PLAN PROVIDED HERE IS FOR FINAL PROTECTION, VARIOUS PHASES OF THIS PLAN SHALL BE IMPLEMENTED OR MODIFIED TO CONTROL EROSION. MODIFICATIONS OF THE PLAN SHALL BE APPROVED BY THE OWNERS REPRESENTATIVE.
3. CONTRACTOR IS RESPONSIBLE FOR MAINTAINING AND IMPLEMENTING ALL EROSION CONTROL.
4. CONTRACTOR SHALL INSTALL AND MAINTAIN A STABILIZED CONSTRUCTION ENTRANCE AT A LOCATION DETERMINED BY THE ENGINEER.
5. EROSION CONTROL MAT SHALL BE NORTH AMERICAN GREEN SC-150 OR APPROVED EQUAL. INSTALL PER MANUFACTURER'S RECOMMENDATIONS.

CRIMPING NOTES

1. ONCE TOPSOIL HAS BEEN PLACED, DISC/SCARIFY SOIL PRIOR TO SPREADING PRAIRIE HAY.
2. SPREAD PRAIRIE HAY (2 TONS/AC.) AND IMMEDIATELY CRIMP INTO TOPSOIL WITH SUITABLE MECHANICAL EQUIPMENT.



EROSION CONTROL LEGEND

-  SEEDING LIMITS
ANNUAL RYE 200 LBS/ACRE (1.75 AC)
FERTILIZE 10-20-10 @ 150 LBS/ACRE
(QUANTITIES GIVEN FOR INFORMATION ONLY)
-  PROPOSED STORM SEWER LINE
-  PROPOSED CONTOURS
-  CURB INLET FILTER
-  INLET PROTECTION (10)
-  HAYBALE

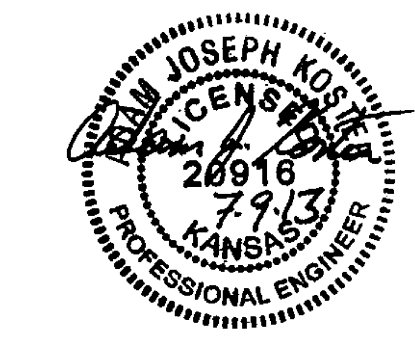


STORM WATER SEWER PLAN FOR
KRUG SOUTH ADDITION
PHASE 5

©2013 MKEC Engineering All Rights Reserved www.mkec.com
These drawings and their contents, including, but not limited to, all concepts, designs, & ideas are the exclusive property of MKEC Engineering (MKEC), and may not be used or reproduced in any way without the express consent of MKEC.

EROSION CONTROL PLAN

PROJECT NO.	468-84835	
DATE	JULY 2013	
SCALE	AS SHOWN	
DESIGNED	DRAWN	CHECKED
AJK	KKL	GJA
#	REVISION	DATE



EROSION CONTROL PLAN
SCALE: 1"=50'