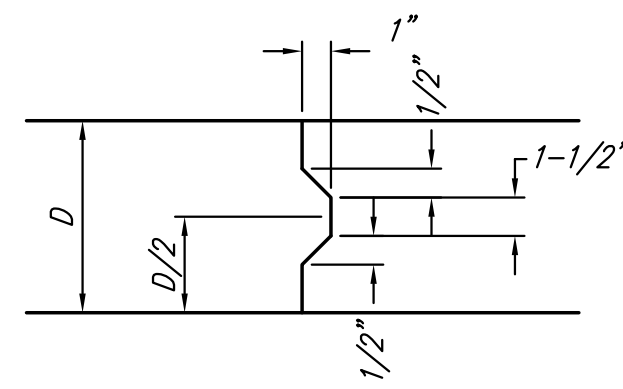
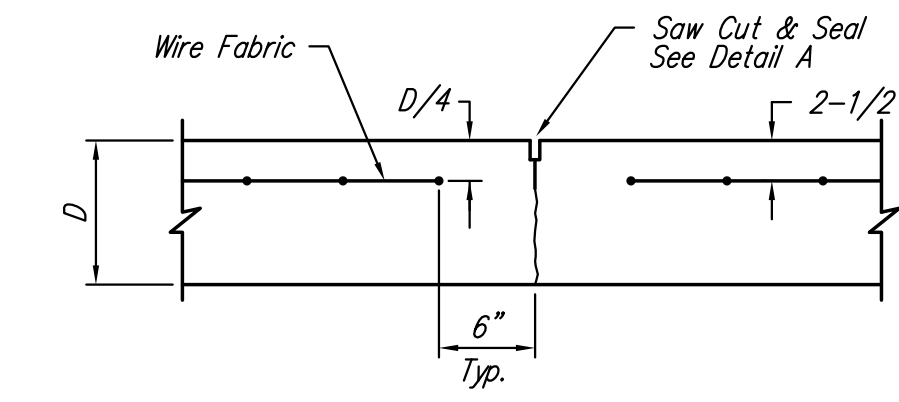


**EXPANSION JOINT**

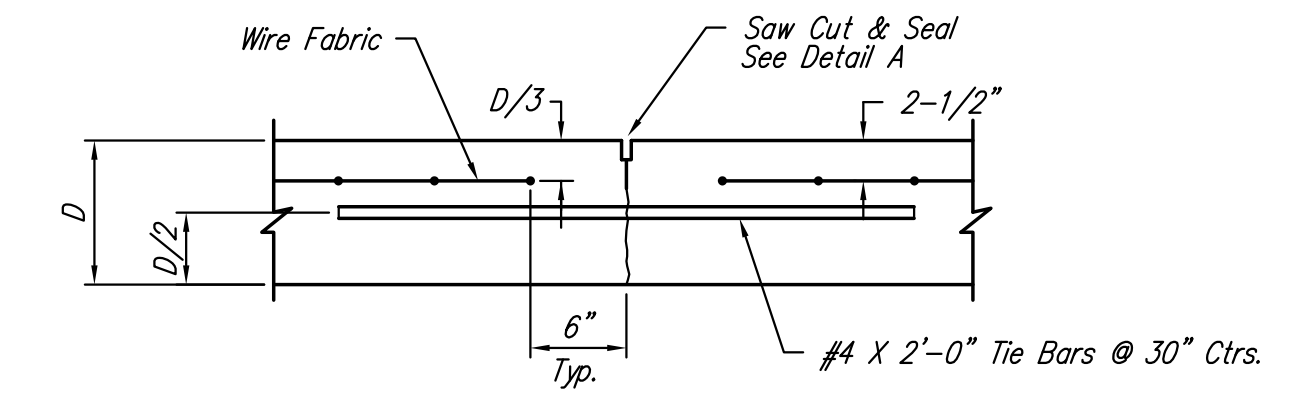
NOTE: Extra Thickness to be Subsidiary to Price of Square Yards Pavement



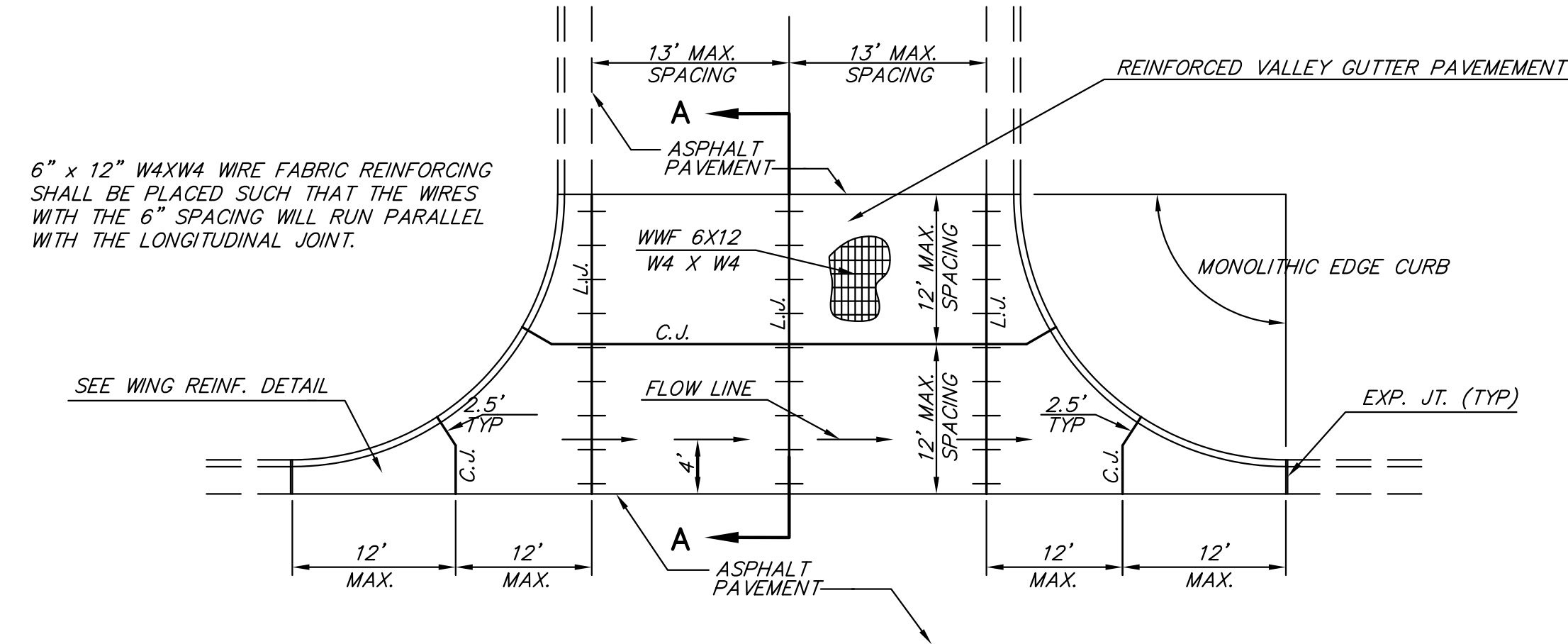
**KEYWAY DETAIL**



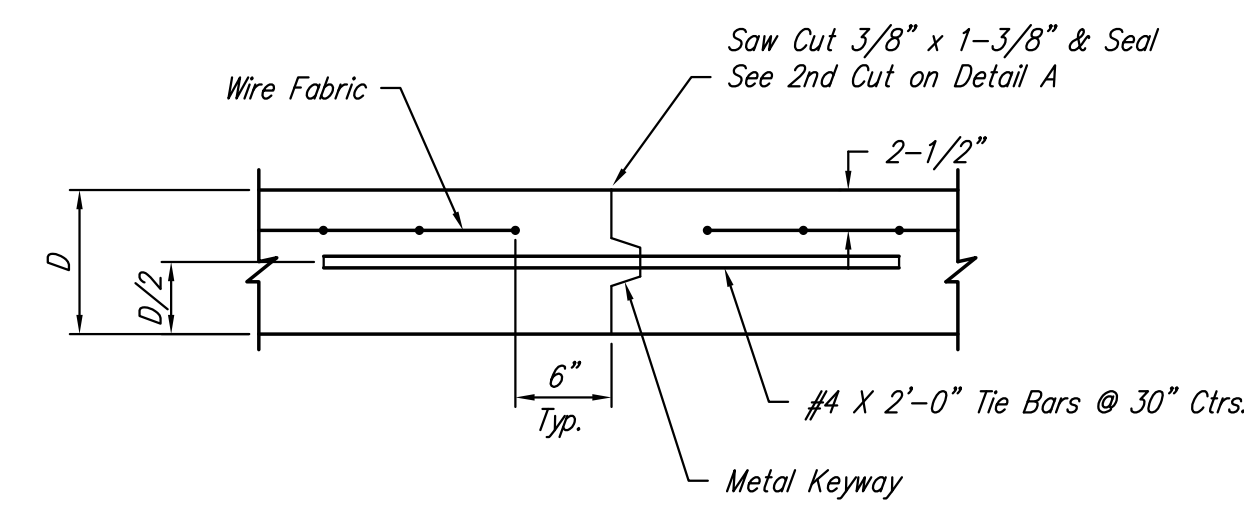
**CONTRACTION JOINT DETAIL (C.J.)**



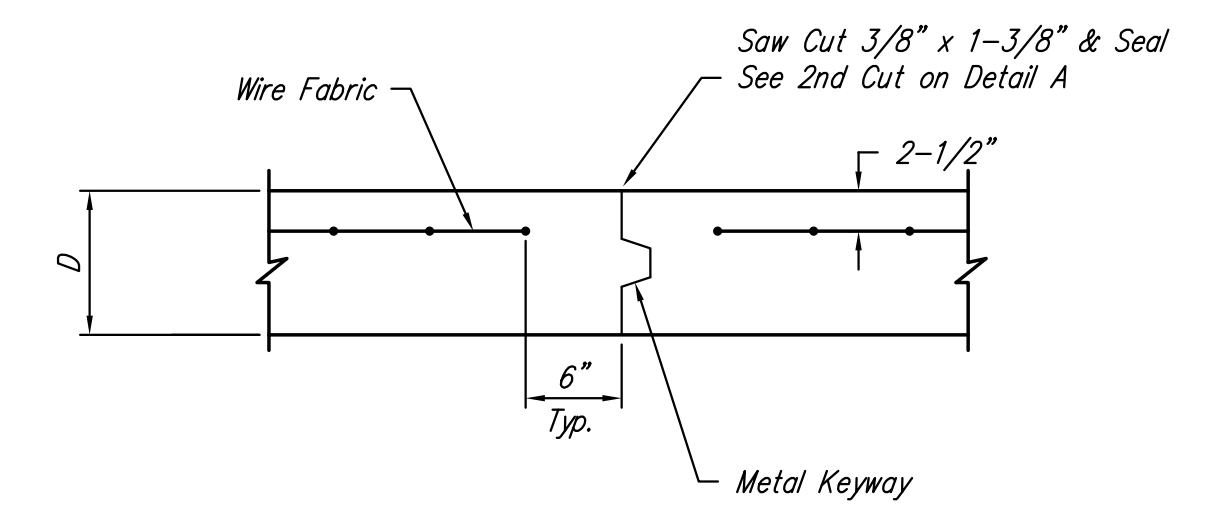
**LONGITUDINAL JOINT DETAIL (L.J.)**



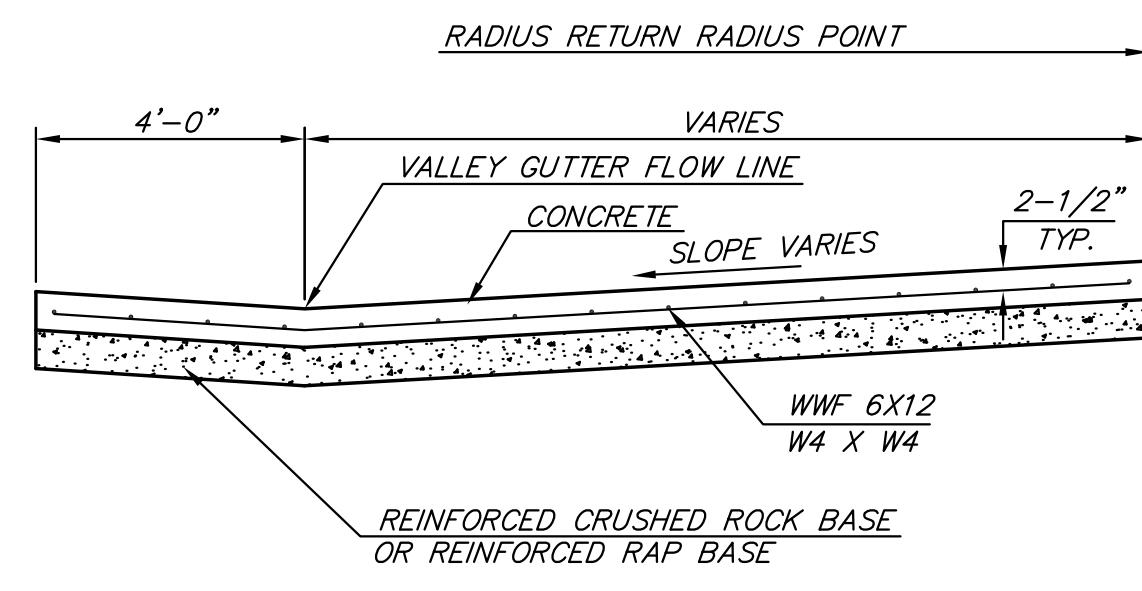
**PLAN**



**OPTIONAL CONTRACTION JOINT DETAIL (L.J.)**

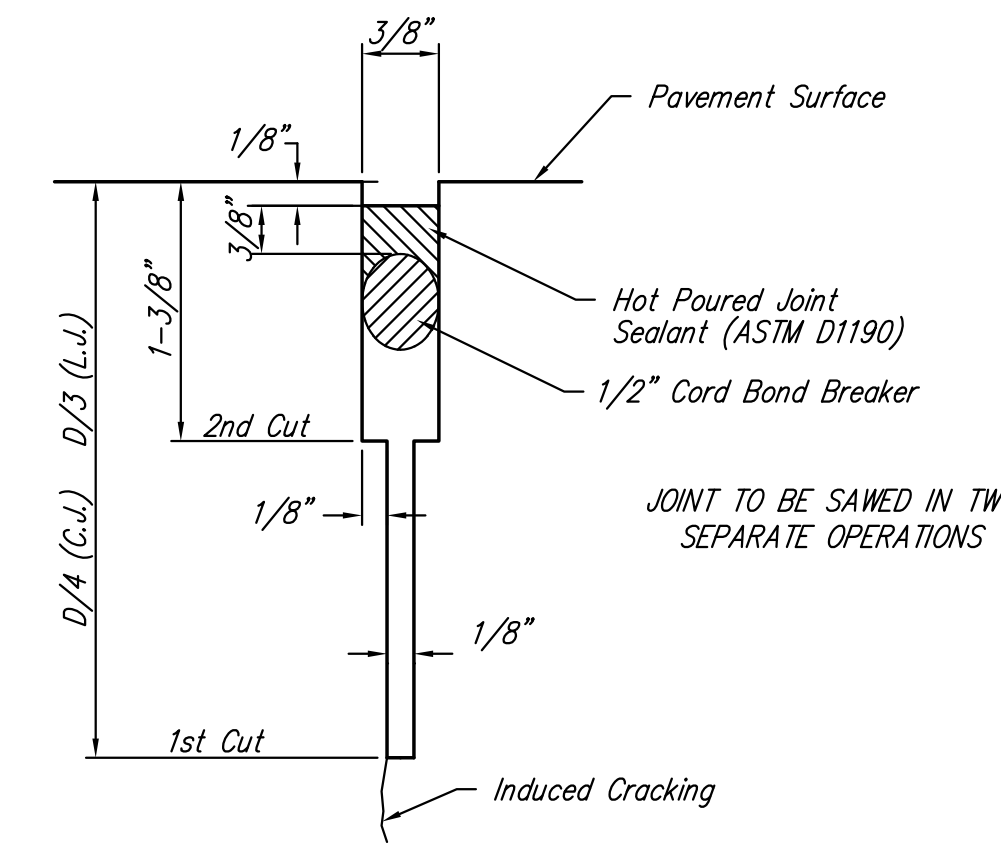


**OPTIONAL CONTRACTION JOINT**

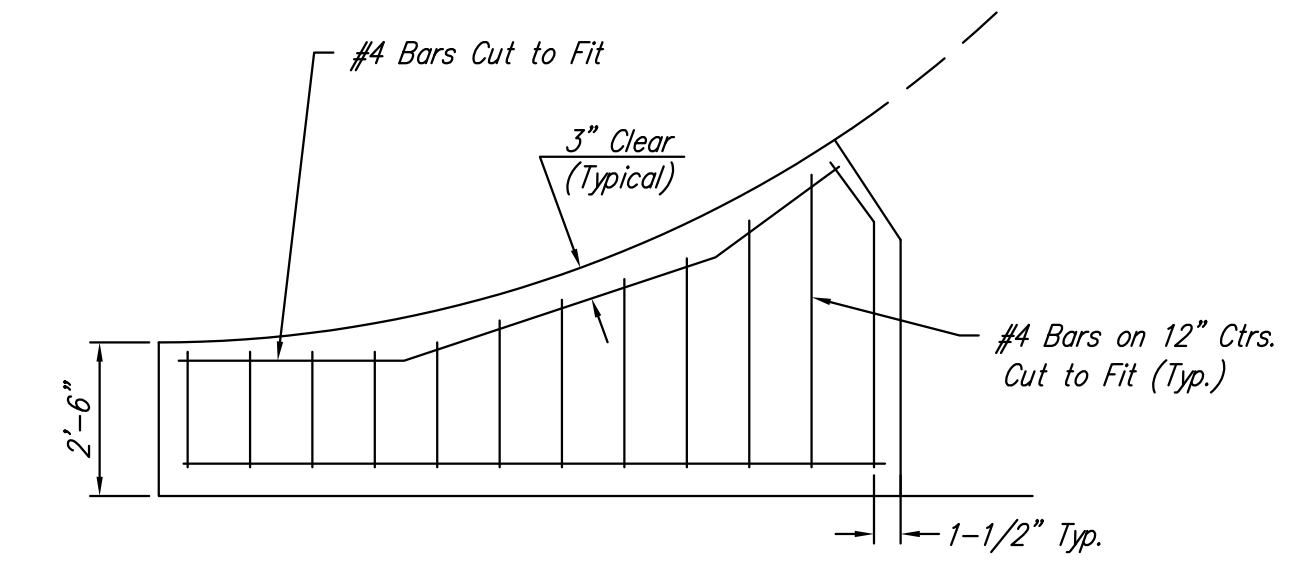


**SECTION A-A**

**REINFORCED VALLEY GUTTER DETAIL**



**SAW JOINT DETAIL**



**WING REINFORCING DETAIL**

<p>CITY ENGINEER'S OFFICE CITY HALL - SEVENTH FLOOR 455 NORTH MAIN STREET WICHITA, KANSAS 67202 (316) 268-4501 (316) 268-4114 FAX</p>	<b>VALLEY GUTTER DETAILS</b>	
	GARY L. JANZEN, P.E. - CITY ENGINEER	
	PROJECT NUMBER 472-85097	OCA NUMBER 766293
	DATE May 12	<b>Sheet 4 of 20</b>

H:\CIVIL\202014\8TH ADD\CIVIL\30\5-CIVIL\CAD\PAV\02014\_LED2.DWG