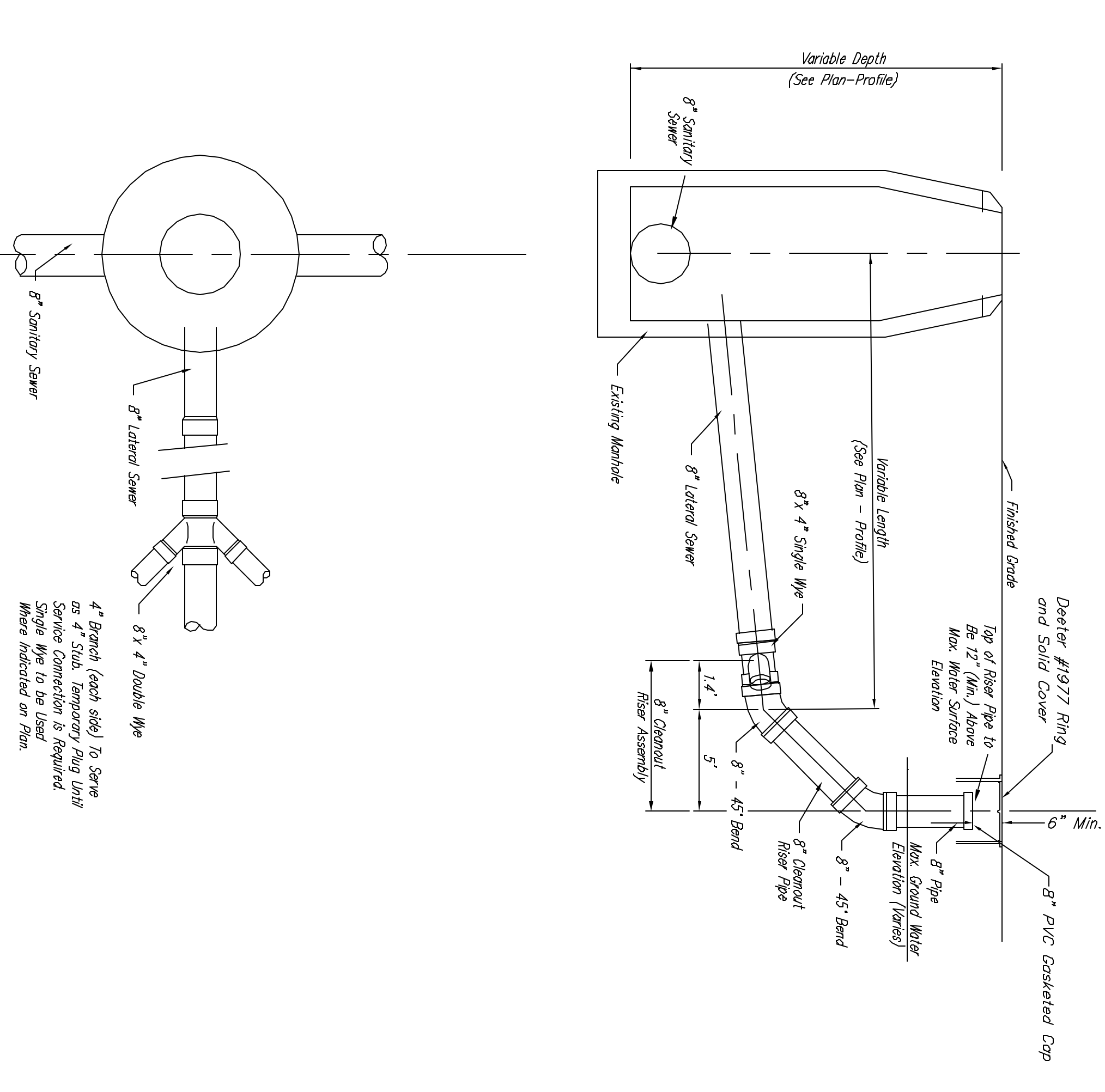


- NOTES
1. 8" Lateral to be All-Tested up to the top of PVC Pipe per Standard Specifications.

2. All PVC pipe fittings in cleanout riser assembly shall be solvent-welded, except 8" pipe cap.



8" CLEANOUT RISER ASSEMBLY DETAIL

CLEANOUT RISER DETAILS

BAUGHMAN COMPANY P.A.
 ENGINEERING, SURVEYING, & PLANNING
 318-282-7271 • 318 ELLIS • WICHITA, KANSAS 67211

DESIGN	STAFF	DATE	SCALE
BRAN	STAFF	APPROVED	NONE
PROJECT NUMBER	488-89524	SHEET	11
			14