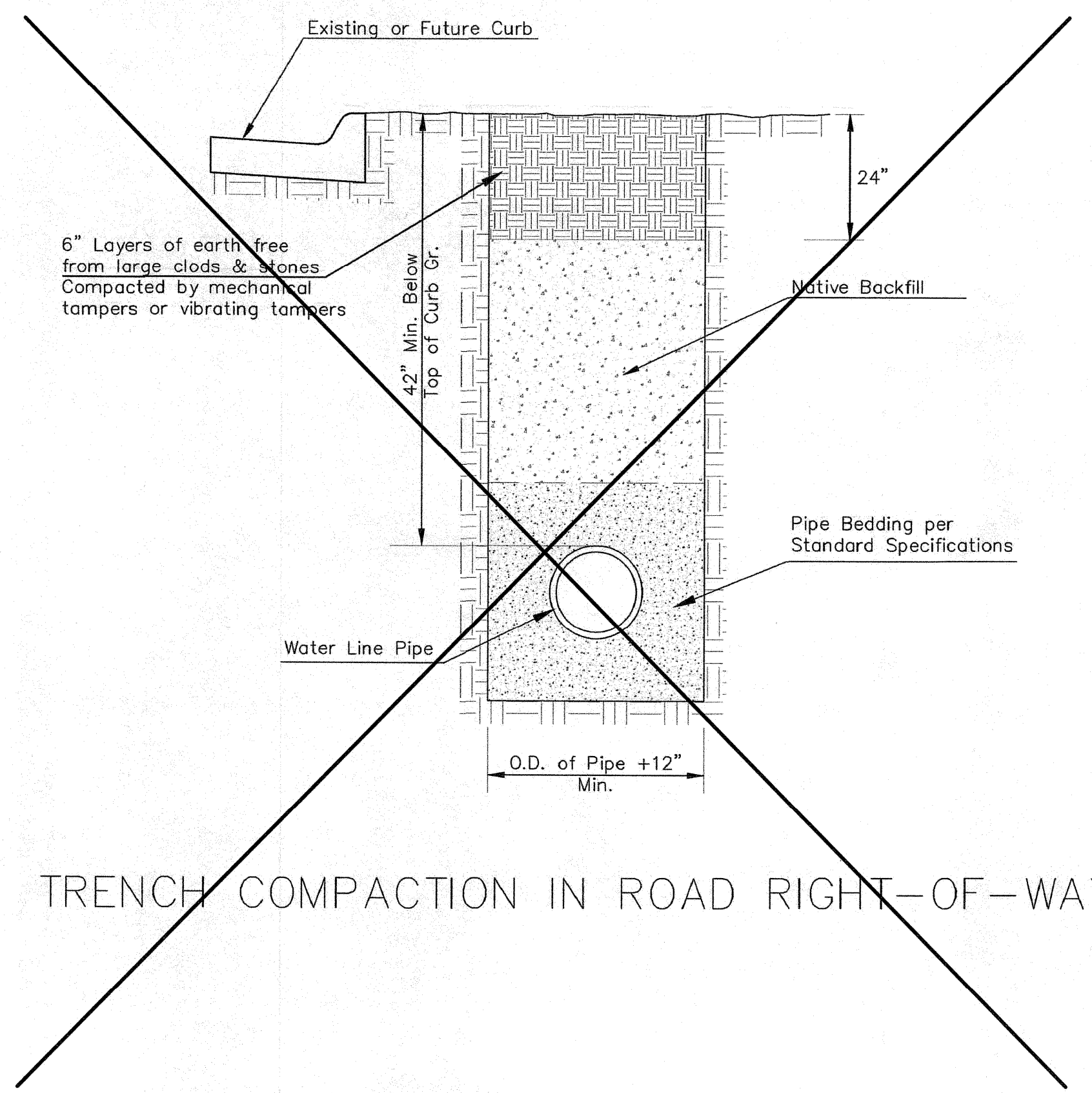
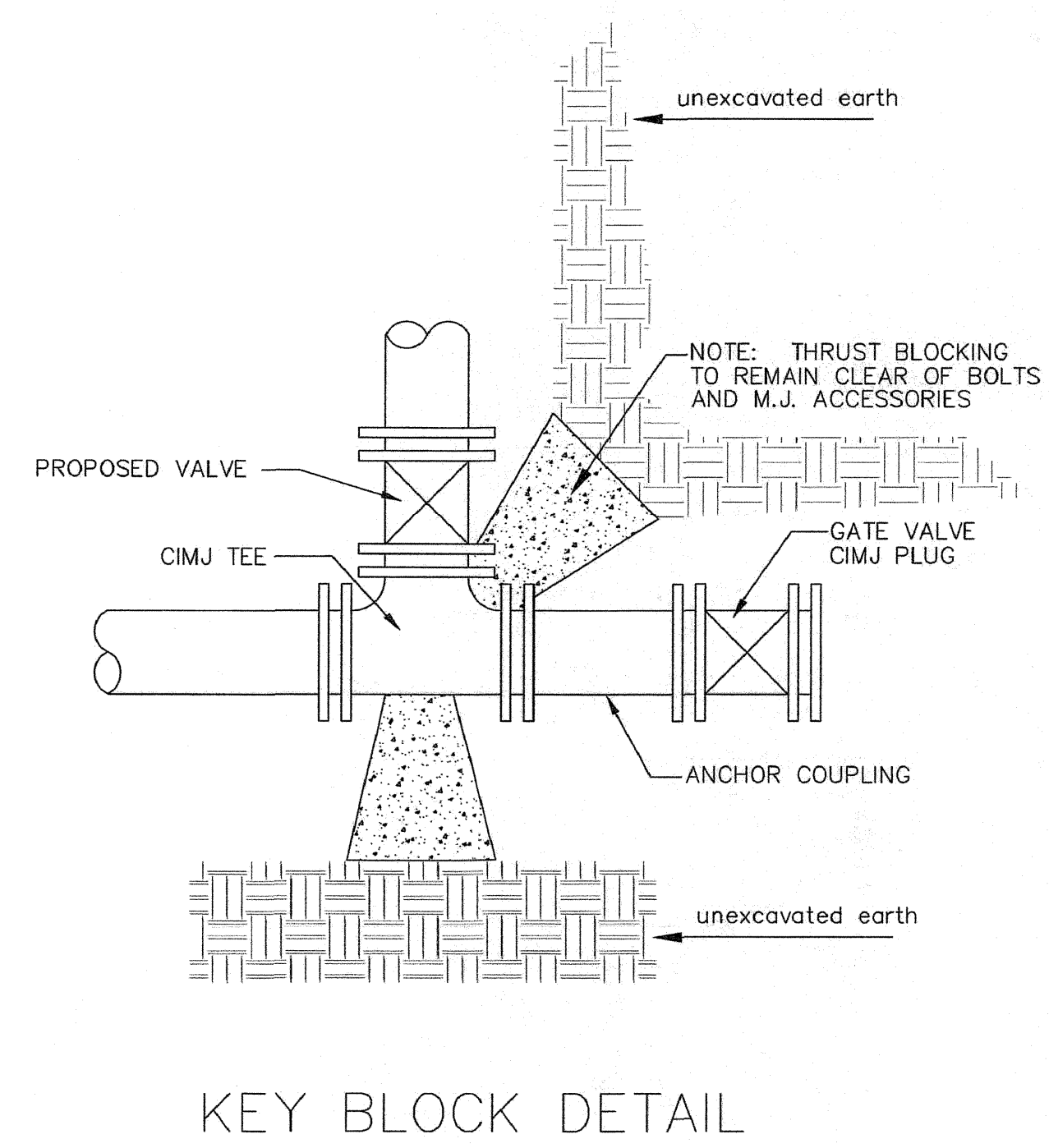
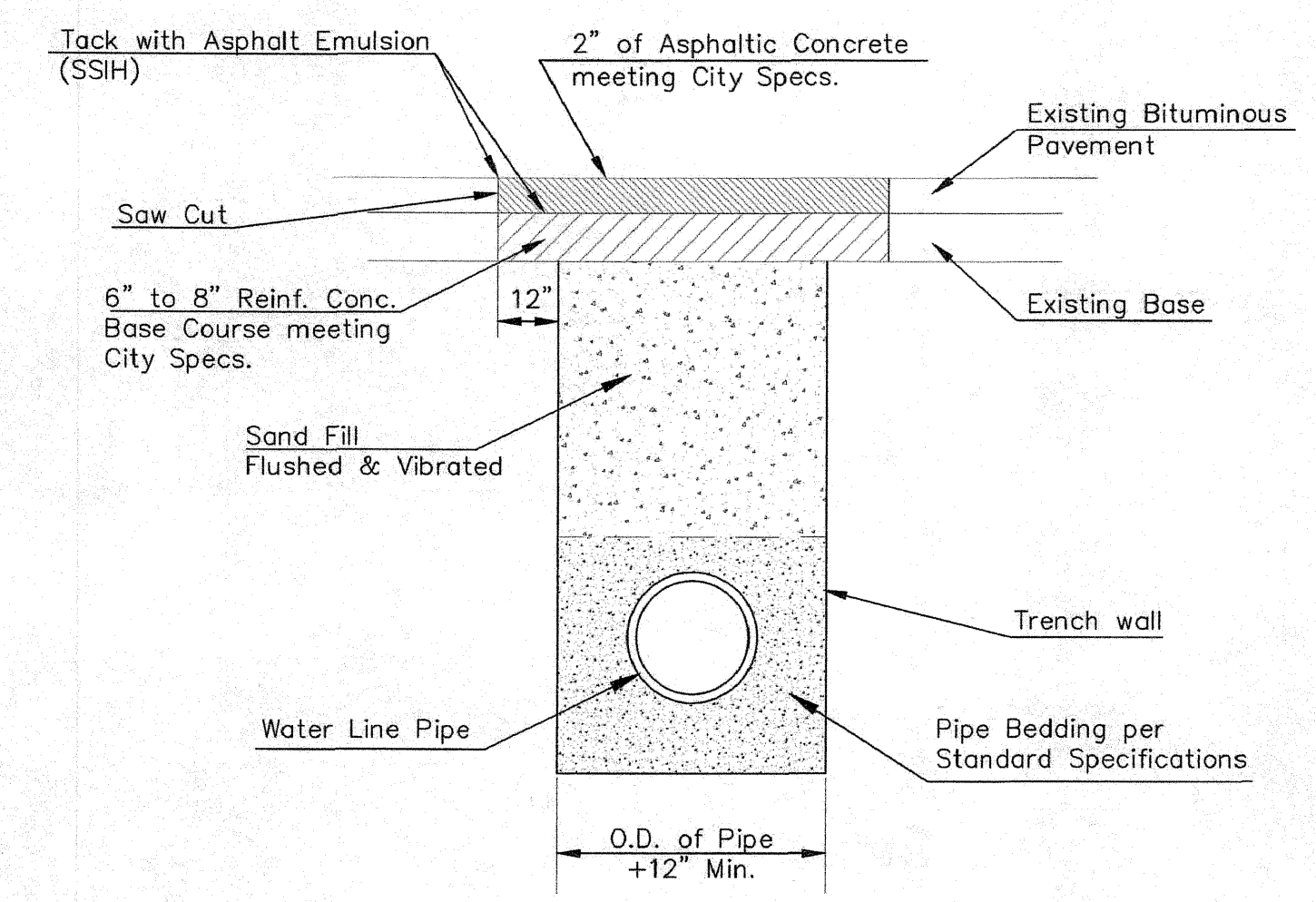


PIPE SIZE	THRUST AT FITTINGS IN TONS—AT 150#/IN ² P					
	PLUG	90°	45°	22 1/2°	11 1/4°	TEE
6"	2.8	3.95	2.15	1.09	.55	2.8
8"	4.9	6.95	3.75	1.90	.96	4.9
12"	11.4	16.1	8.75	4.45	2.25	11.4
16"	20.15	28.5	15.4	7.85	3.95	20.15
20"	31.15	44.0	23.85	12.15	6.10	31.15
24"	44.55	63.0	34.1	17.4	8.75	44.55

TYPICAL THRUST BLOCKS

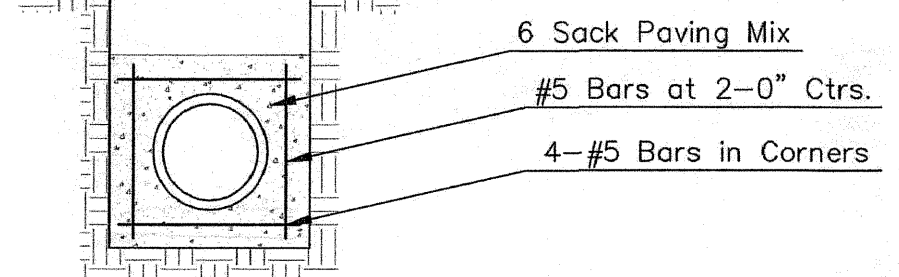
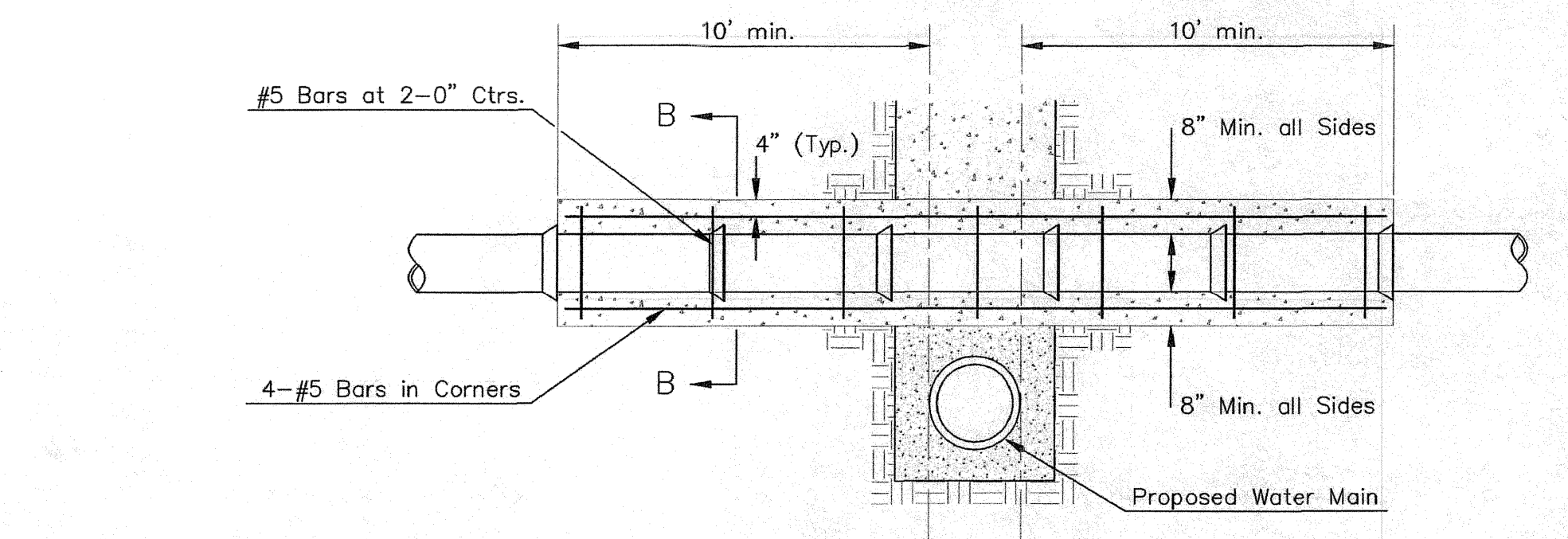


TRENCH COMPACTION IN ROAD RIGHT-OF-WAY



PAVEMENT REPLACEMENT & TRENCH COMPACTION UNDER EXISTING AND PROPOSED CITY ROADS

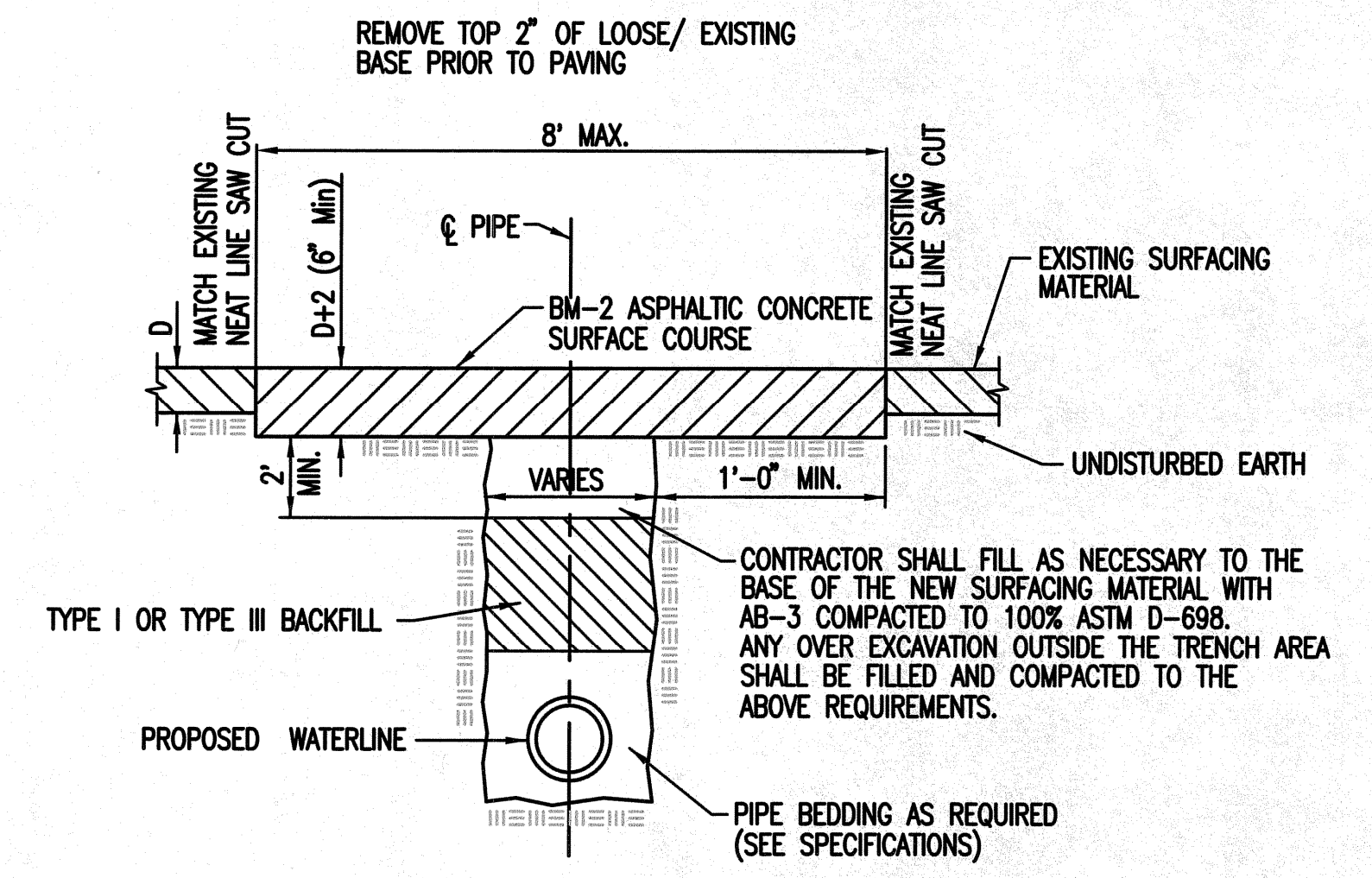
* PLANS GOVERN UNLESS OTHERWISE NOTED ON PLANS



SECTION B-B

REINFORCED CONCRETE ENCASEMENT OF SANITARY SEWER

Note: Encasement to begin and end at a Bell on Sanitary Sewer Pipe.



PAVEMENT REMOVAL AND TEMPORARY REPLACEMENT DETAIL

Saved 06-13-2013 1:51:08 PM by GJM
 Plot Scale 1:1 06-14-2013 11:46:00 AM by REJ
 04/20/2013 08:27:11 Waterline Adjustment Plans 06/07-09 - Miscellaneous Water Details



MISCELLANEOUS WATER DETAILS		
CITY ENGINEER GARY JANZEN, P.E.		
PROJECT NUMBER 448-90581	OCA NUMBER 636268	DATE 04/2013
CITY ENGINEER'S OFFICE CITY HALL - SEVENTH FLOOR 455 NORTH MAIN STREET WICHITA, KANSAS 67202-1620 (316) 268-4501		SHEET C29 of 34