

**PATH BASE**

When the Path is over the Existing Railroad Embankment, the Base Shall be the Existing Rail Bed Aggregate Material. Base Grading and Manipulation Shall be **SUBSIDIARY** to the Concrete Path. The Aggregate Base Shall be Compacted and Smoothed With a Steel Faced Roller Prior to Placement of the Pavement.

When the Path is Outside of the Railroad Embankment the Base Shall be 6" Clean Crushed Rock Compacted and Smoothed with a Steel Faced Roller Prior to Placement of the Pavement.

**BACKFILL**

Backfill Shall be Clean, uncontaminated Top Soil. No Material Originating From the Railroad Embankment Shall be Used for Backfill and Must be Disposed of in Approved Manner.

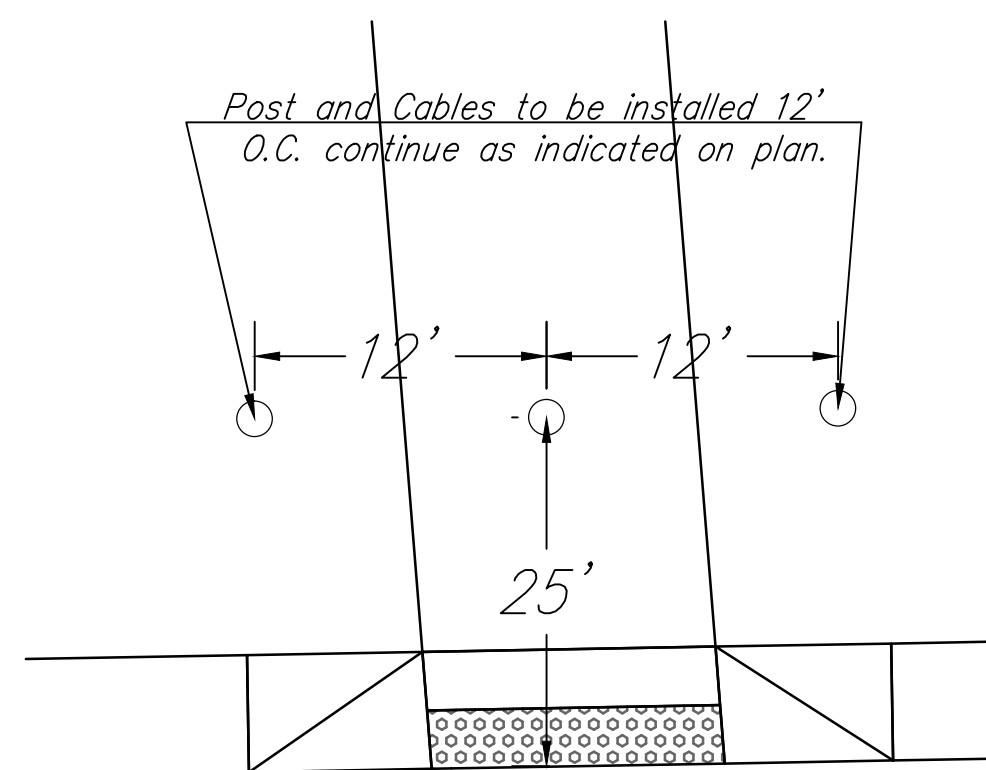
**SHOULDER**

Where no Existing Rail Bed Aggregate Exist, Contractor to Install New Shoulder Material. New Shoulder Material Shall Be KDOT AS-6 Road Gravel or Approved Equal. Shoulder To Be Rolled for Compaction and Smoothness. Shoulder Material, Placement and Compaction To Be **SUBSIDIARY** To Other Items Of Work.

**JOINTS**

Contraction Joints @ Spacing Equal to Width (10' typ.).  
1/2" Expansion Joints @ 150' O.C.  
(See Details this Sheet)

Any cut in Existing Railroad Bed to be considered as contaminated soil. To be removed, handled and disposed of at an approved site in accordance with KDHE regulations.



**TYPICAL BOLLARD AND POST & CABLE DETAIL**

**SPECIFICATIONS**

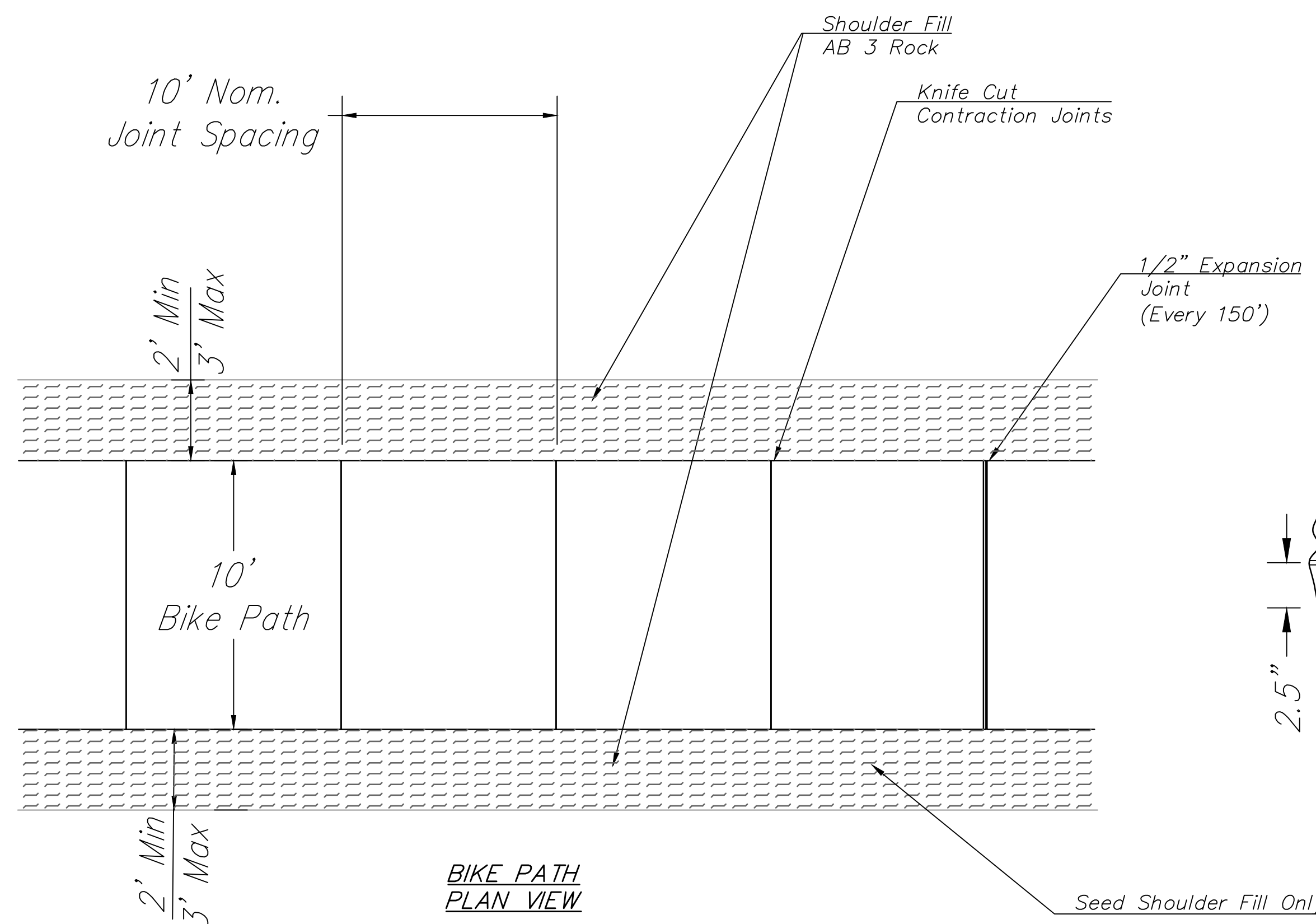
**MATERIAL**  
The B4-8" bollards shall be fabricated with 8" (8.625" OD) .188 wall steel pipe. The standard B4 bollard shall have two decorative reveals, one at the top and one at the bottom. The number of reveals and their location can be changed to complement project designs. Top options are flat top, dome top or a sphere. All pipe shall conform to ASTM A53. The in ground receiver, for **removable bollard only** shall be fabricated with 6.25" OD steel sleeve welded to a 3" x 5" lockwell.

**PROTECTIVE COATINGS**  
**Powder Coating:** Following fabrication bollards shall be cleaned and treated with an iron phosphate process prior to the coating application. The protective coatings shall be either polyester or polyester TGIC powder. Following application the parts shall be baked until properly cured. The coating shall be a minimum of 4 mils thick on all surfaces. **Options for finish:** Corrosion resistant undercoat, strongly recommended  
**Note:** Unless otherwise specified, bollards shall be powder coated a standard FairWeather color.  
**Hot Dip Galvanizing:** Following fabrication, the receivers shall be hot dip galvanized to standard ASTM A123, 3 to 4 mils thick.  
**Options:** 5ch 40 or 5ch 80 pipe, eye bolts, number of reveals  
On removable bollards: receiver cover, lock well cover and padlock  
Mounting: Surface, removable or embed

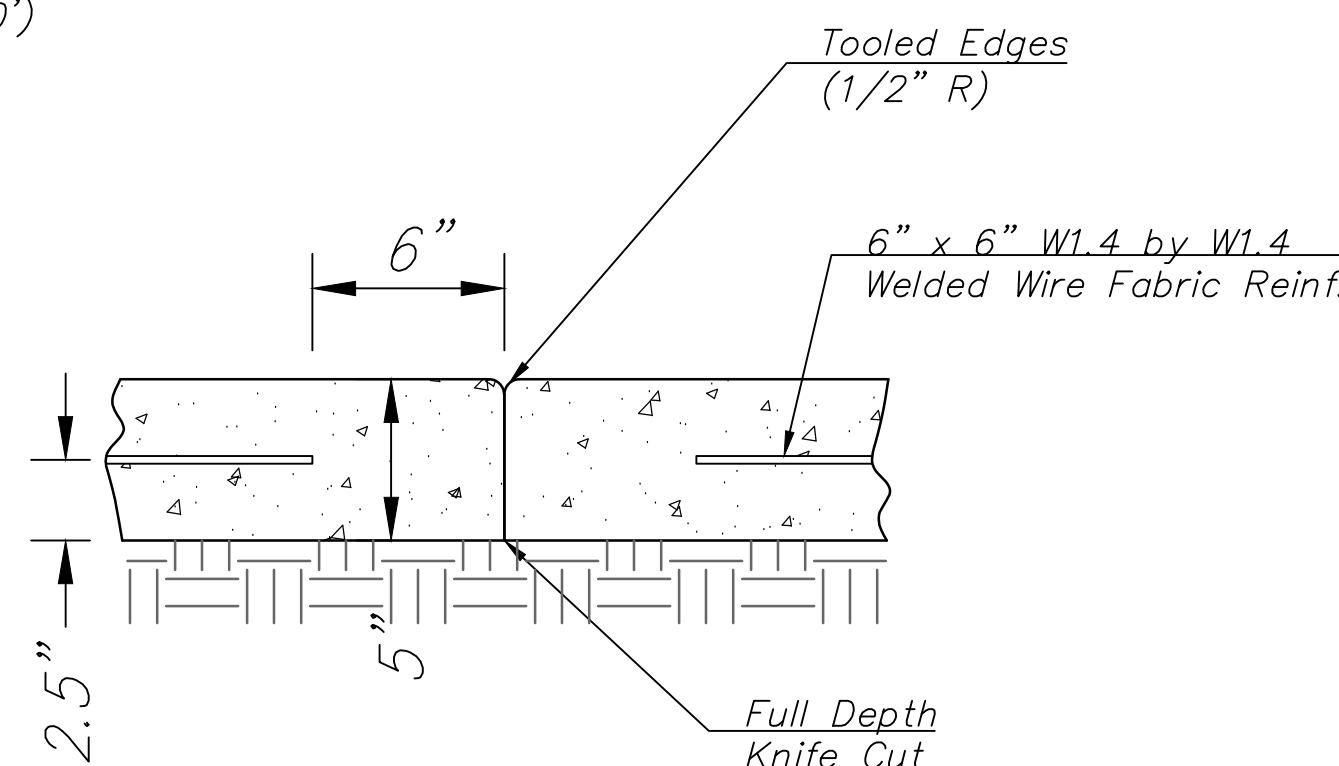
**NOTE:**  
1. Depth and diameter of installation hole may vary with soil conditions. Consult project engineer for correct dimensions.  
2. **REMOVABLE BOLLARDS ONLY:** Receiver must be installed in drainage rock. No crushed or minus rock. Due to soil conditions the amount of drainage needed could vary from as little as 8 inches to 2 feet or more. **Improper installation will void the warranty**

**Model B4-8" Bollards**  
with Interchangeable Tops, and Mounting Options

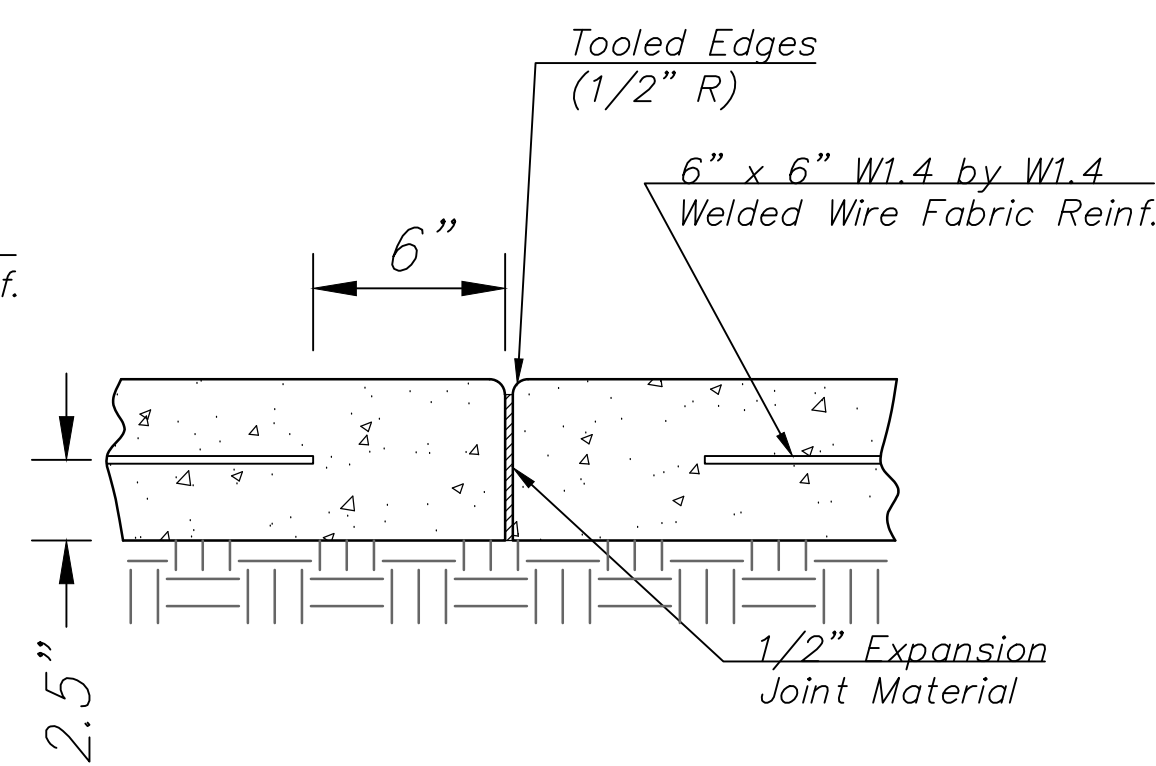
Bollard to be Fair Weather B4-8B2  
Height - 36"  
Mounting - Lockable  
Color - Mineral Bronze  
Manufacture - Fair Weather Site Furnishings, (800)323-1798, www.fairweathersf.com



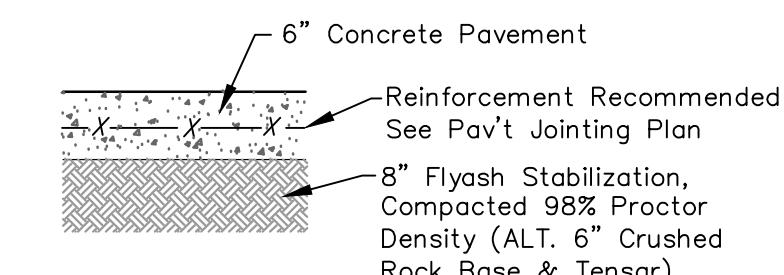
**BIKE PATH PLAN VIEW**



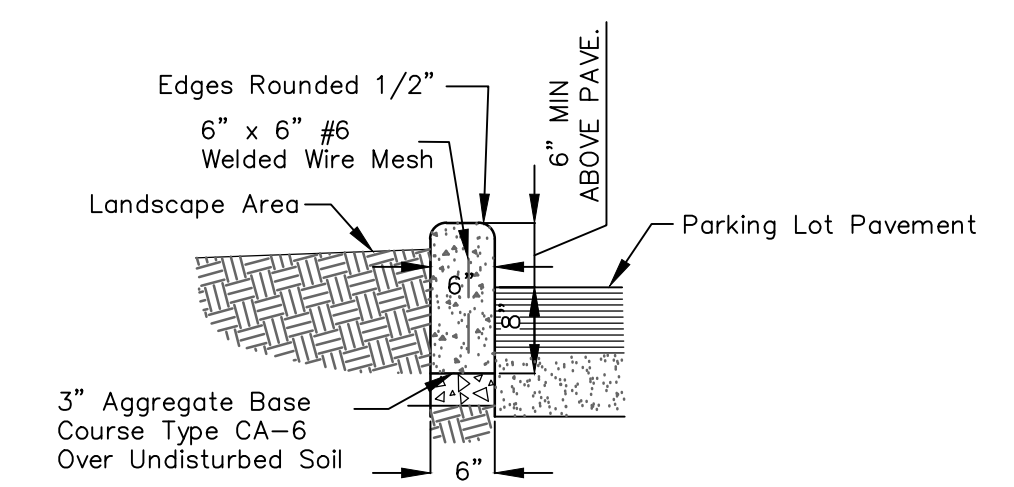
**TYPICAL CONTRACTION JOINT DETAIL**



**TYPICAL EXPANSION JOINT DETAIL**



**6" CONCRETE PAVEMENT DETAIL**



**PROTECTION CURB DETAIL**

