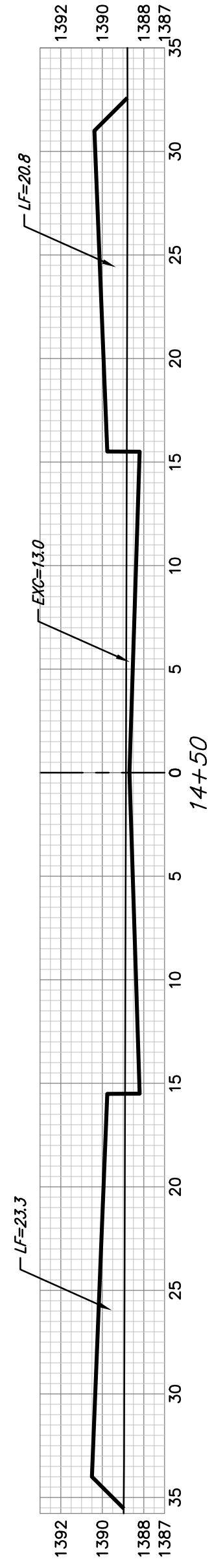
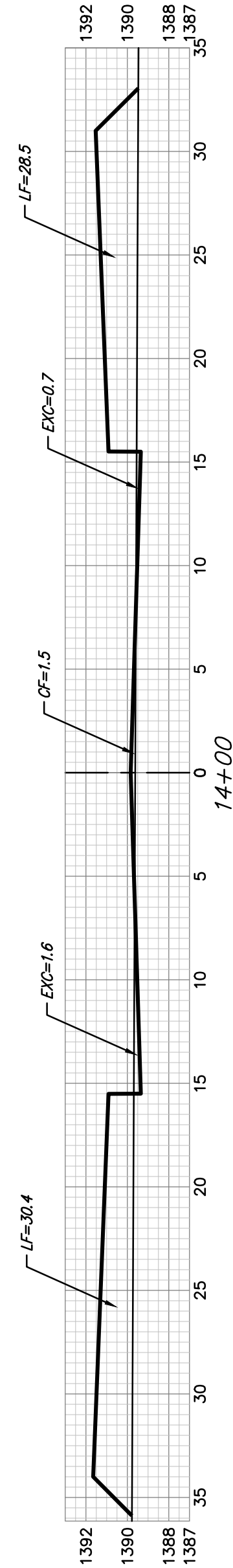


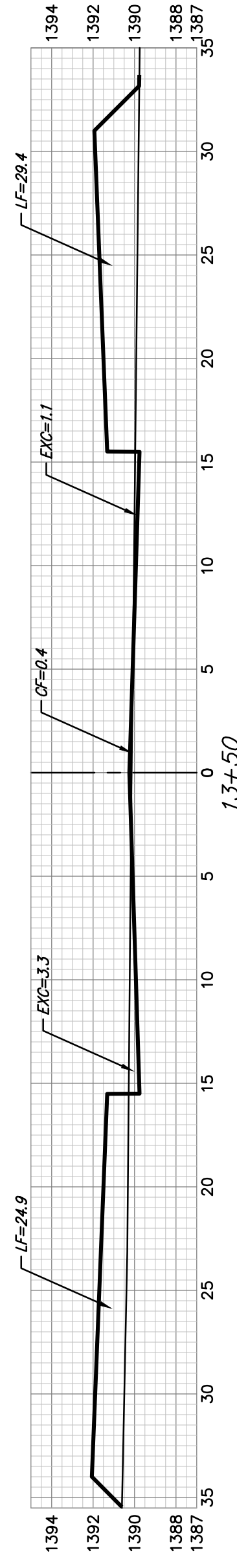
50' $\begin{matrix} EXC = 35.1 \\ LF = 62.5 \\ CF = 0.0 \end{matrix}$



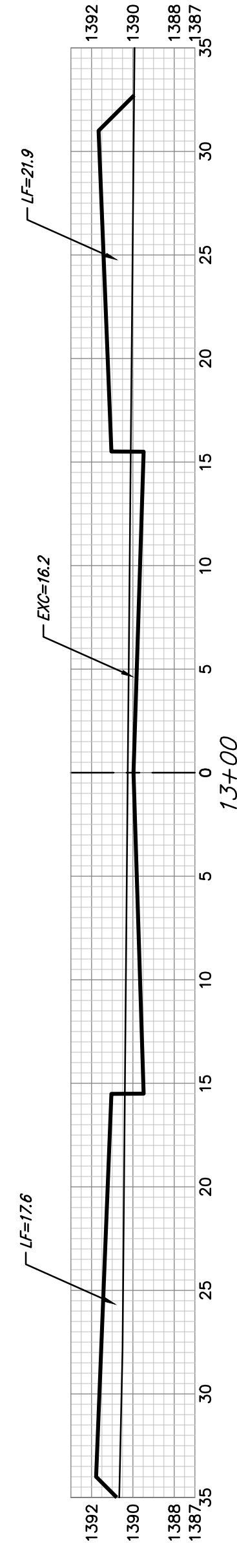
50' $\begin{matrix} EXC = 10.7 \\ LF = 95.4 \\ CF = 2.8 \end{matrix}$



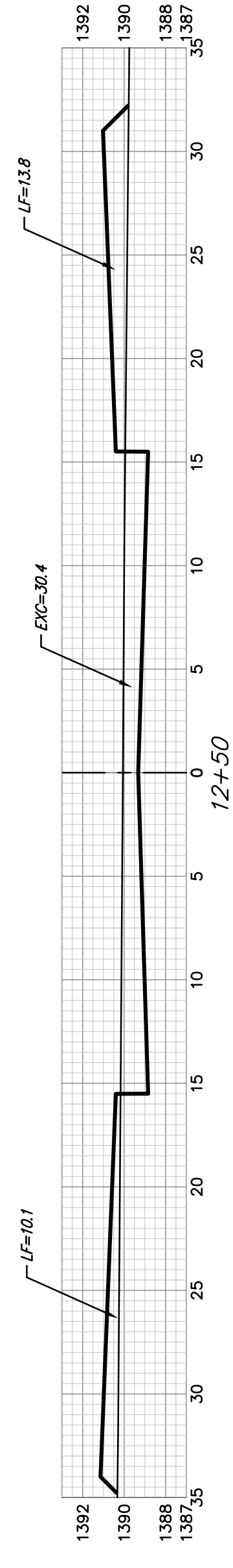
50' $\begin{matrix} EXC = 3.5 \\ LF = 104.8 \\ CF = 4.0 \end{matrix}$



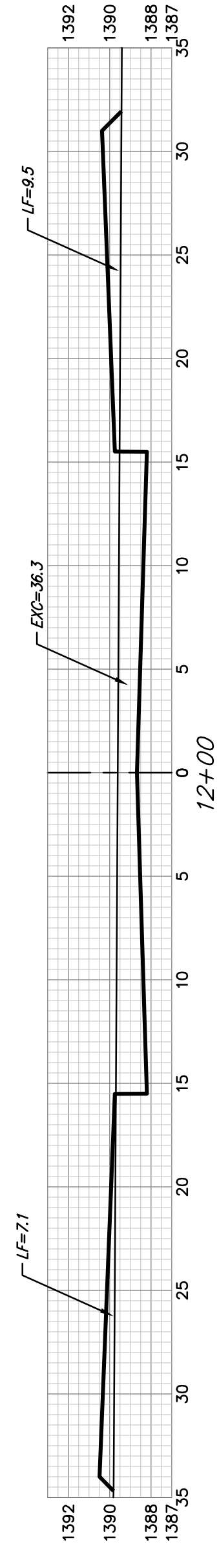
50' $\begin{matrix} EXC = 15.1 \\ LF = 86.9 \\ CF = 0.0 \end{matrix}$



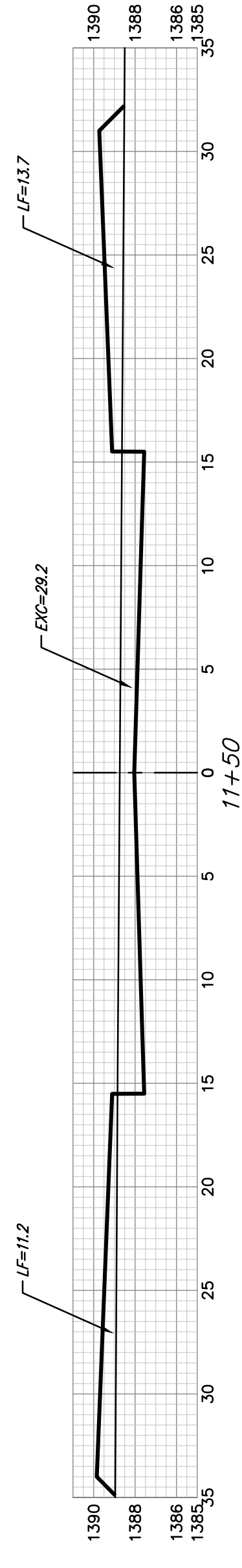
50' $\begin{matrix} EXC = 38.3 \\ LF = 58.7 \\ CF = 0.0 \end{matrix}$



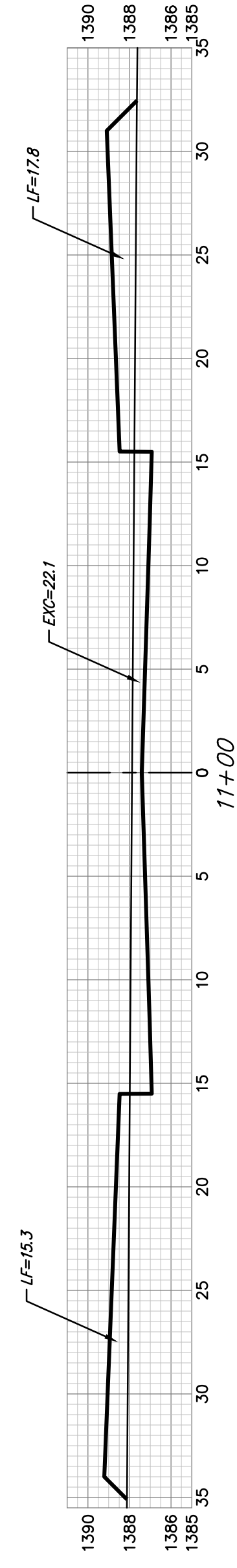
50' $\begin{matrix} EXC = 57.6 \\ LF = 37.5 \\ CF = 0.0 \end{matrix}$



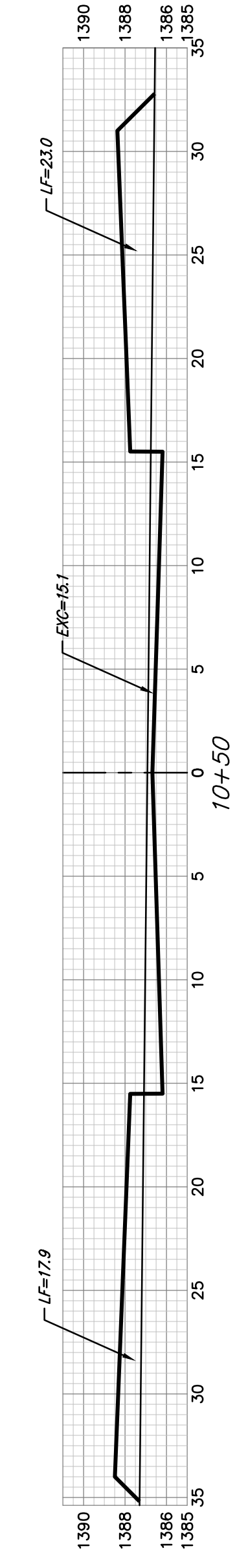
50' $\begin{matrix} EXC = 56.6 \\ LF = 38.4 \\ CF = 0.0 \end{matrix}$



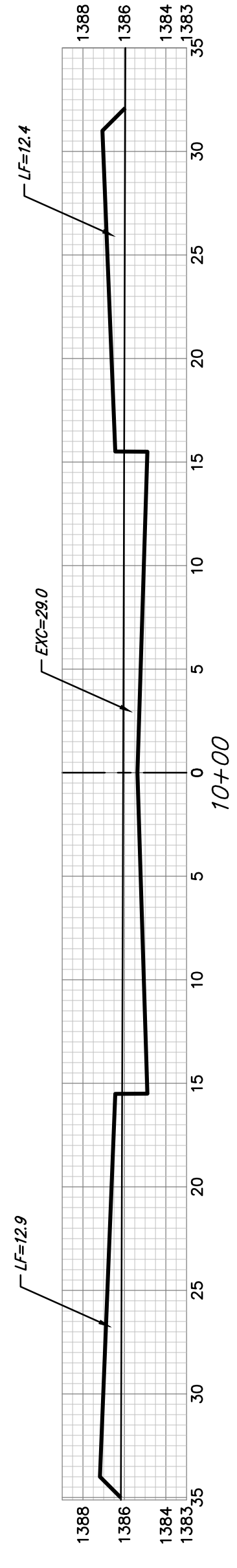
50' $\begin{matrix} EXC = 42.8 \\ LF = 53.7 \\ CF = 0.0 \end{matrix}$



50' $\begin{matrix} EXC = 29.6 \\ LF = 68.5 \\ CF = 0.0 \end{matrix}$



50' $\begin{matrix} EXC = 36.0 \\ LF = 61.3 \\ CF = 0.0 \end{matrix}$



RED OAKS

SHEET TOTAL: (Cubic Yards)
 EXCAVATION = 367.6
 LOOSE FILL = 667.7
 COMPACTED FILL = 3.5

Baughman
 Baughman Company, P.A. 315 Ellis St. Wichita, KS 67211 P: 316-262-0144 F: 316-262-0144
 ENGINEERING | SURVEYING | PLANNING | LANDSCAPE ARCHITECTURE
 PROJECT NUMBER SHEET
27 OF 33
 E:\Projects\Waterfront Seventh Addition_1307-P967\Engineering\Phase 1\Str_1409E120\STREET_XS.dwg