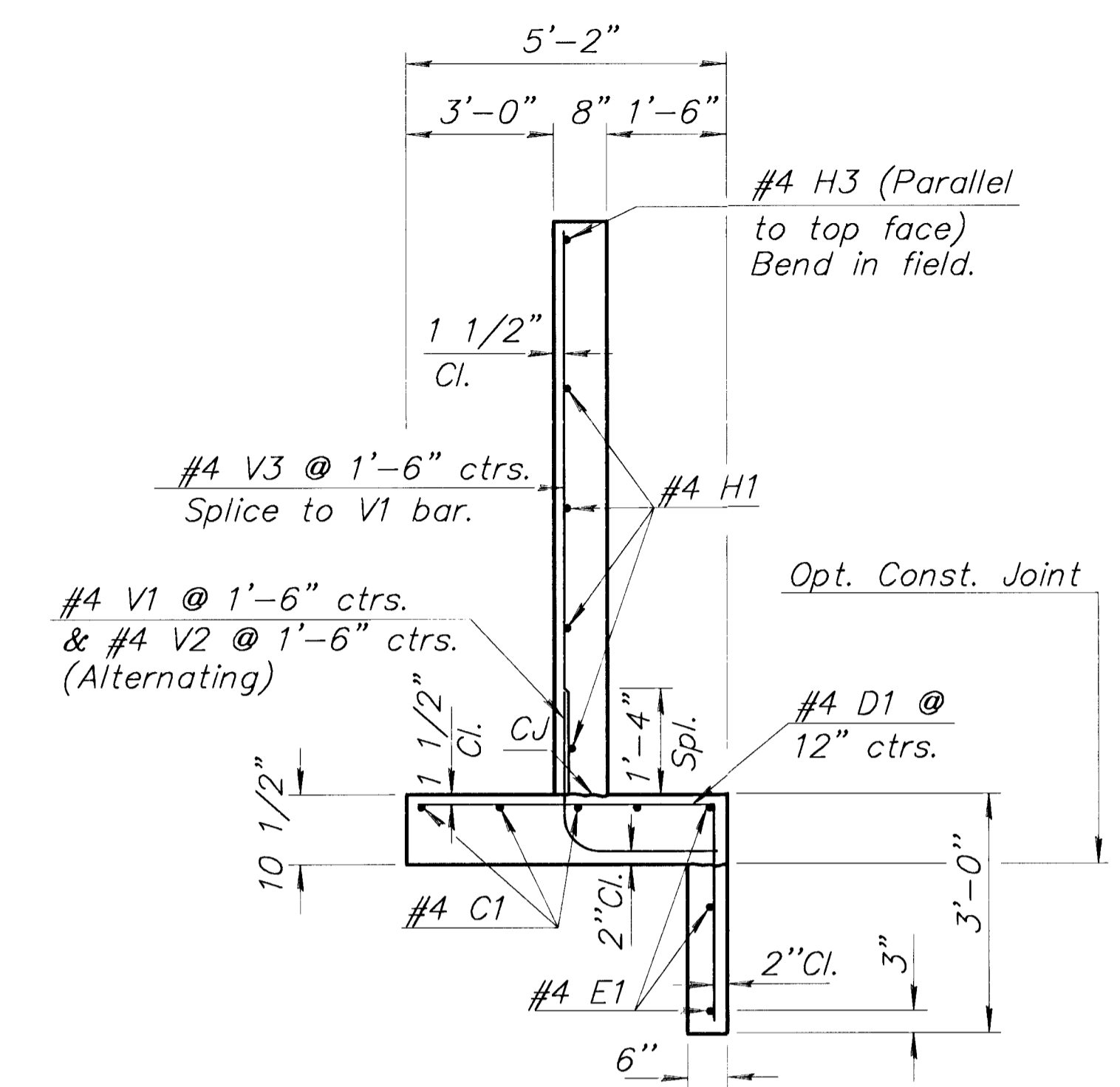


ELEVATION OF WINGWALL
(Backface Shown)
EF - Each Face

†† See RCB Details for location of construction joint.



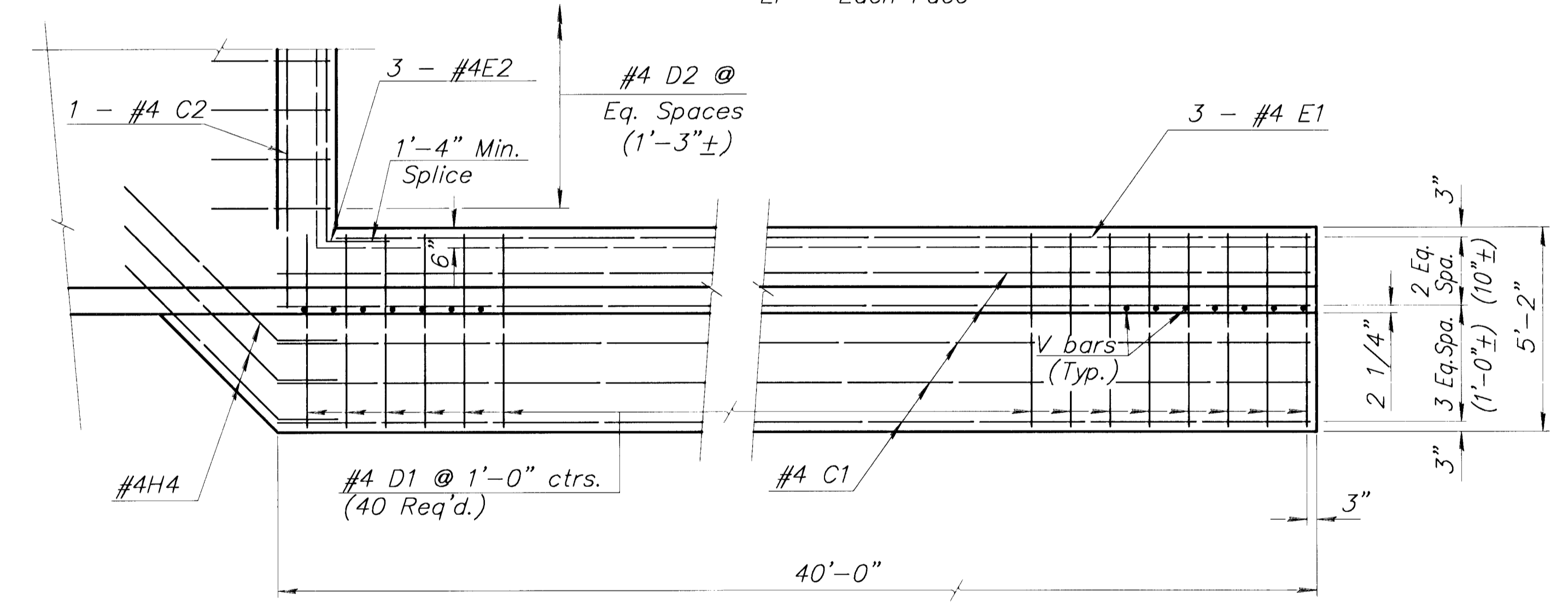
SECTION A-A

See "RCB Aux. Details" sheet for requirements of Wingwall Subbase.

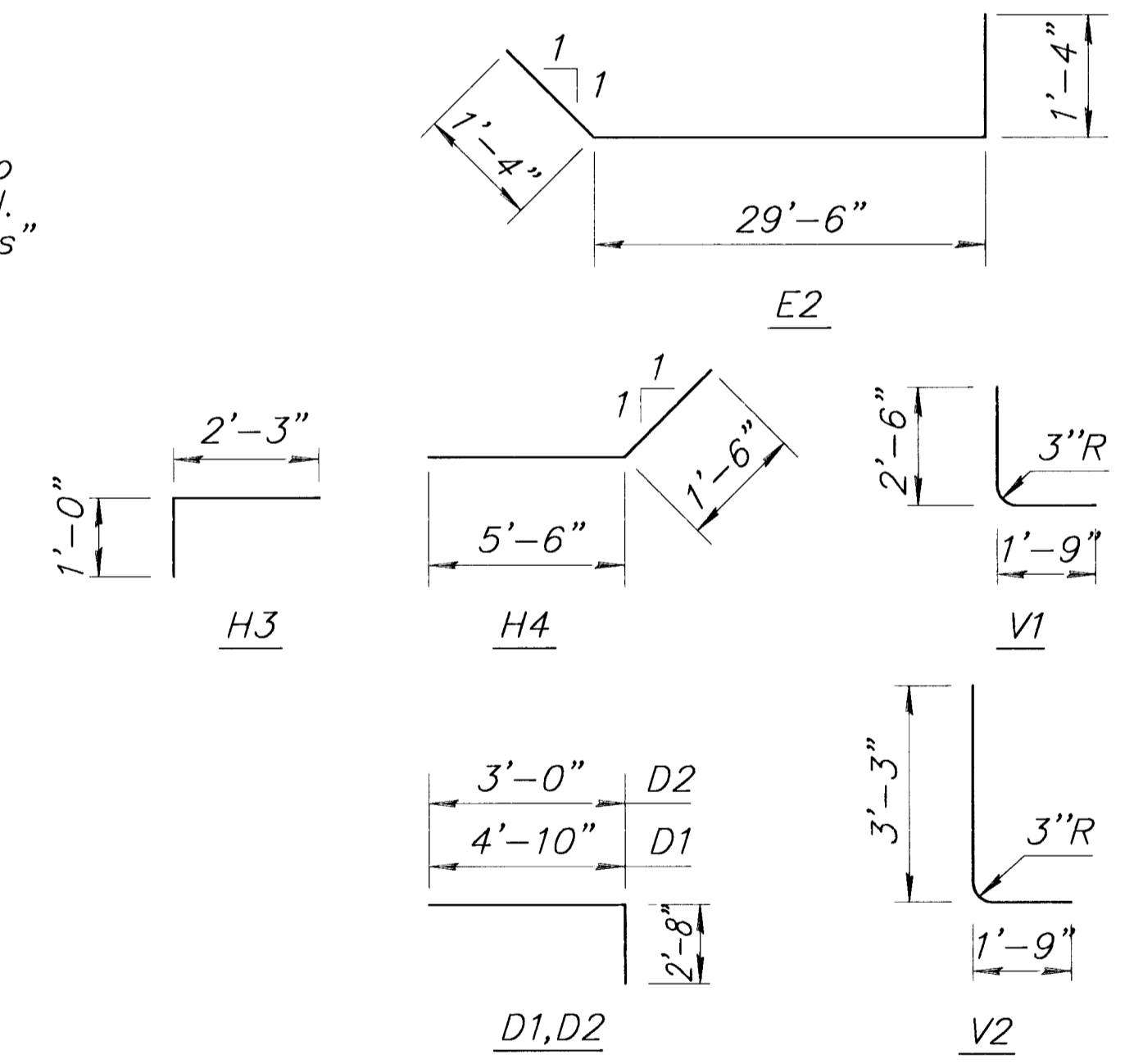
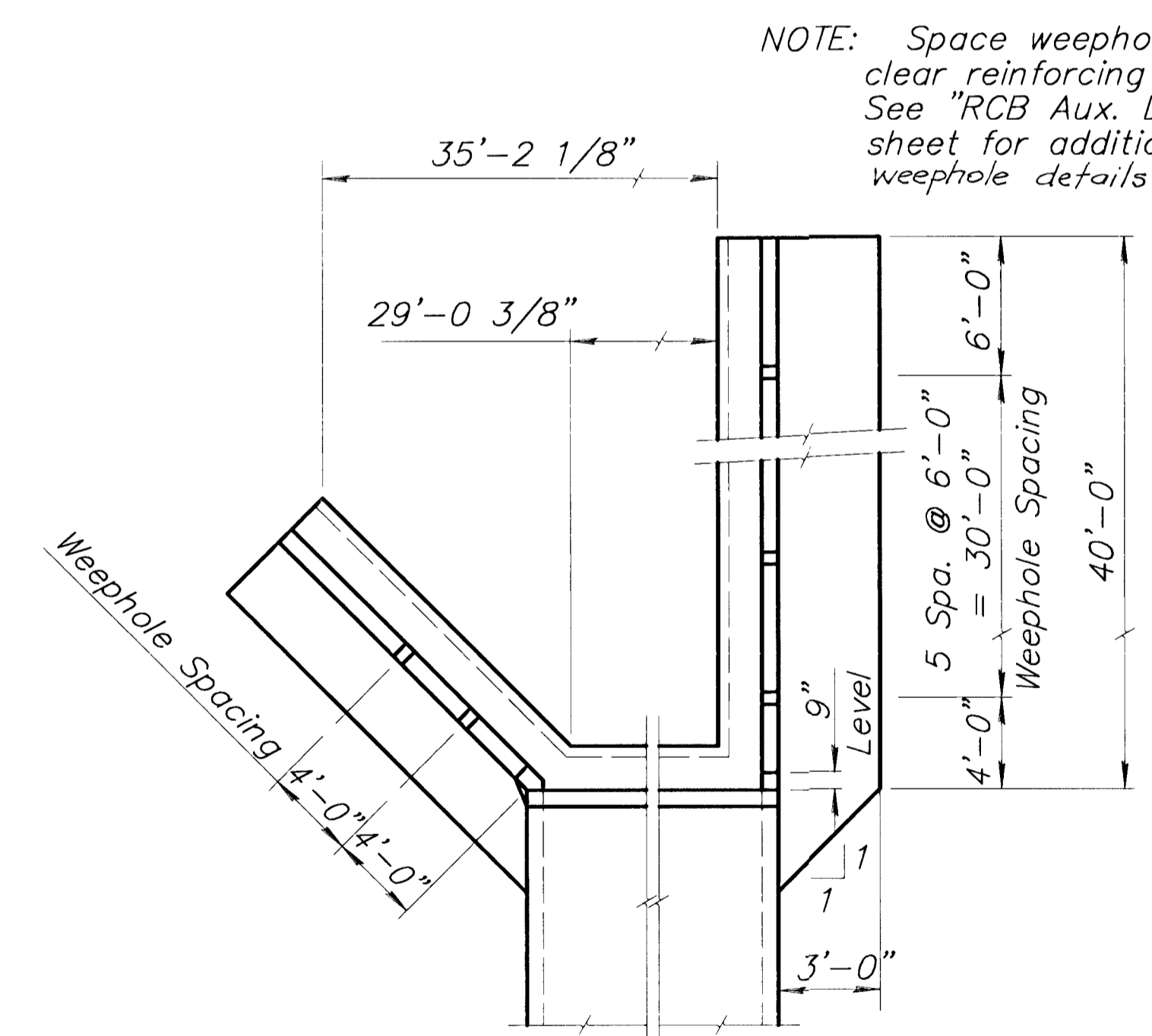
GENERAL NOTES

- UNIT STRESSES:** Class AAA Concrete; $f'_c = 4,000$ p.s.i.
Reinforcing Steel; $f_y = 60,000$ p.s.i.
- CONCRETE:** Class AAA Concrete shall be used throughout. Bevel all exposed edges with a 3/4 inch triangular moulding.
- REINFORCING:** All reinforcing shall conform to ASTM A615, Grade 60.
- QUANTITIES:** Wingwall Quantities include all quantities outside the neat lines of the box, excluding the hubguard.
- FOUNDATION AND BACKFILL MATERIAL:** Soils judged as high plasticity clays, fat clays, expansive clays, or organic clays are unsuitable for foundation and/or backfill material for wingwalls and will not be used. Where these conditions exist, Foundation Stabilization and/or Granular Backfill (Wingwalls) shall be used as determined by the Engineer. See "RCB Auxiliary Details" sheet for additional details.

NOTE: See Sheet No. 44 for Flared Wingwalls, 6 ft. Rise (0° Skew) for N.W. Corner Wing details.



SECTION C-C
(Plan of Footing)



BENDING DIAGRAMS

(All dimensions are out to out of bars.)

NOTE: Reinforcing Bar List is for the wingwall at the N.E. corner.

0° Skew	Mark	#4C1	#4D1	#4E1	#4C2	#4D2	#4E2	#4V1	#4V2	#4V3	#4H1	#4H2	#4H3	#4H4
	Number	4	40*	3	1	24	3	27*	26*	27	6	10	1	3
	Length	40'-0"	7'-6"	38'-8"	32'-0"	5'-8"	32'-2"	4'-3"	5'-0"	6'-10"	39'-10"	3'-0"	3'-3"	7'-0"

* See Bending Diagram

NOTE: Reinforcing Bar List is for the wingwall at the N.W. corner.

0° Skew	Mark	#4C1	#4D1	#4E1	#4V1	#4V2	#4V3	#4H1	#4H3	#4H4	#4H5
	Number	4	9 †	3	6 †	6 †	6	4	1	14	9
	Length	11'-7"	6'-8"	8'-9"	4'-0"	5'-0"	†	7'-10"	9'-6"	5'-0"	3'-6"

† See Bending Diagram on Sheet No. 44

Minimum Splice Lengths	
#4	1'-4"
#5	1'-8"
#6	2'-0"

Quantities listed are included in the Summary of Quantities shown on the RCB details.

WINGWALL QUANTITIES		(N.E. End Only, both wings)	
Class AAA Concrete	21.0	CY.	
Reinforcing Steel	1,710	Lbs.	

NO.	DATE	REVISIONS	BY	APP'D
CITY OF WICHITA				
STA. 57+50.28				
SPECIAL WINGWALL (Pinecrest)				
6' RISE (0° SKEW)				
PROJ. NO. 54-87 K-4445-01			SEDGWICK CO.	
DESIGNED	MDK	DETAILED	MUKI	QUANTITIES
DESIGN CK.	KJS	DETAIL CK.	MDK	QUAN. CK.
				TRACE CK.

Drawn By: \$USERNAME\$\$
 DGN File: \$\$\$\$\$\$DGN\$SPEC\$\$\$\$\$
 Plotted: \$\$\$\$\$\$SYTIME\$\$\$\$\$view= PLOT1

DATE	DATE	DATE	DATE	DATE	DATE
DESIGN	DESIGN	DESIGN	DESIGN	DESIGN	DESIGN
QUANTITIES	QUANTITIES	QUANTITIES	QUANTITIES	QUANTITIES	QUANTITIES
TRACING	TRACING	TRACING	TRACING	TRACING	TRACING
RETAINED	RETAINED	RETAINED	RETAINED	RETAINED	RETAINED