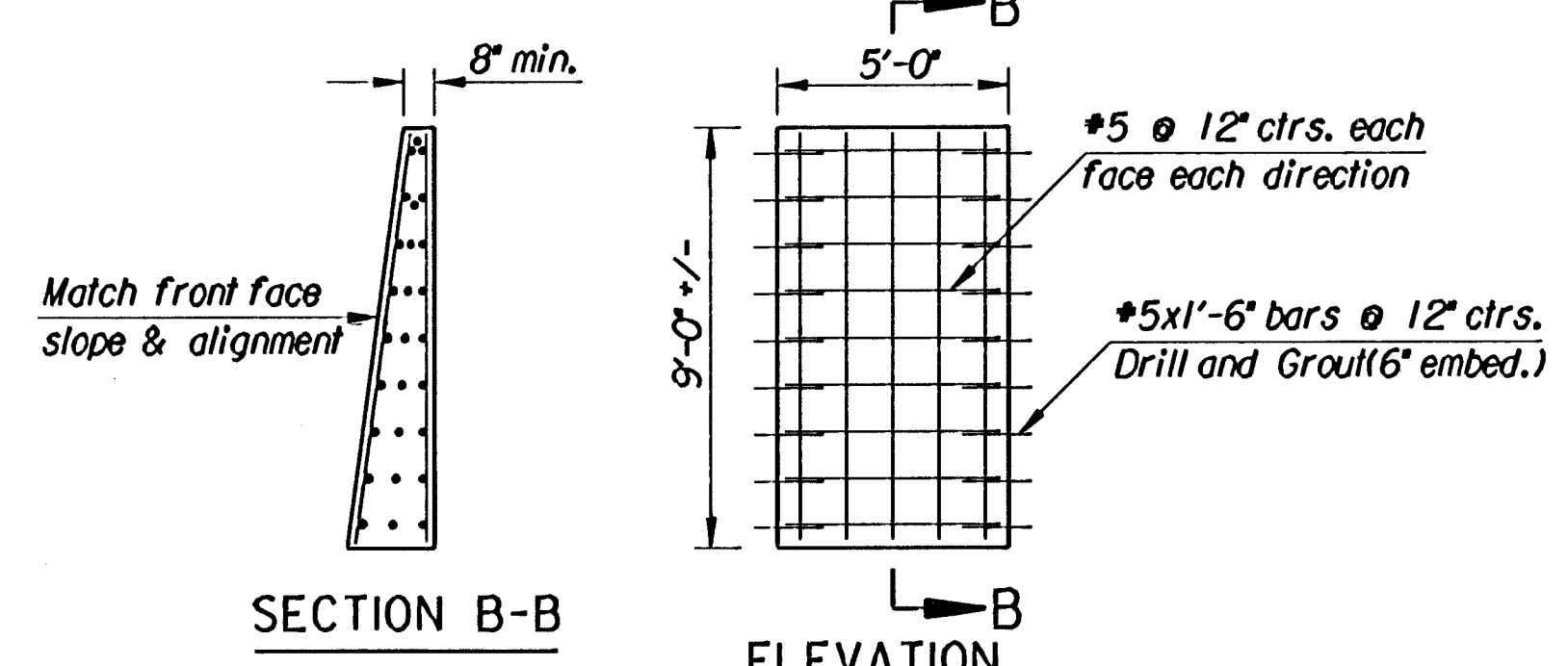
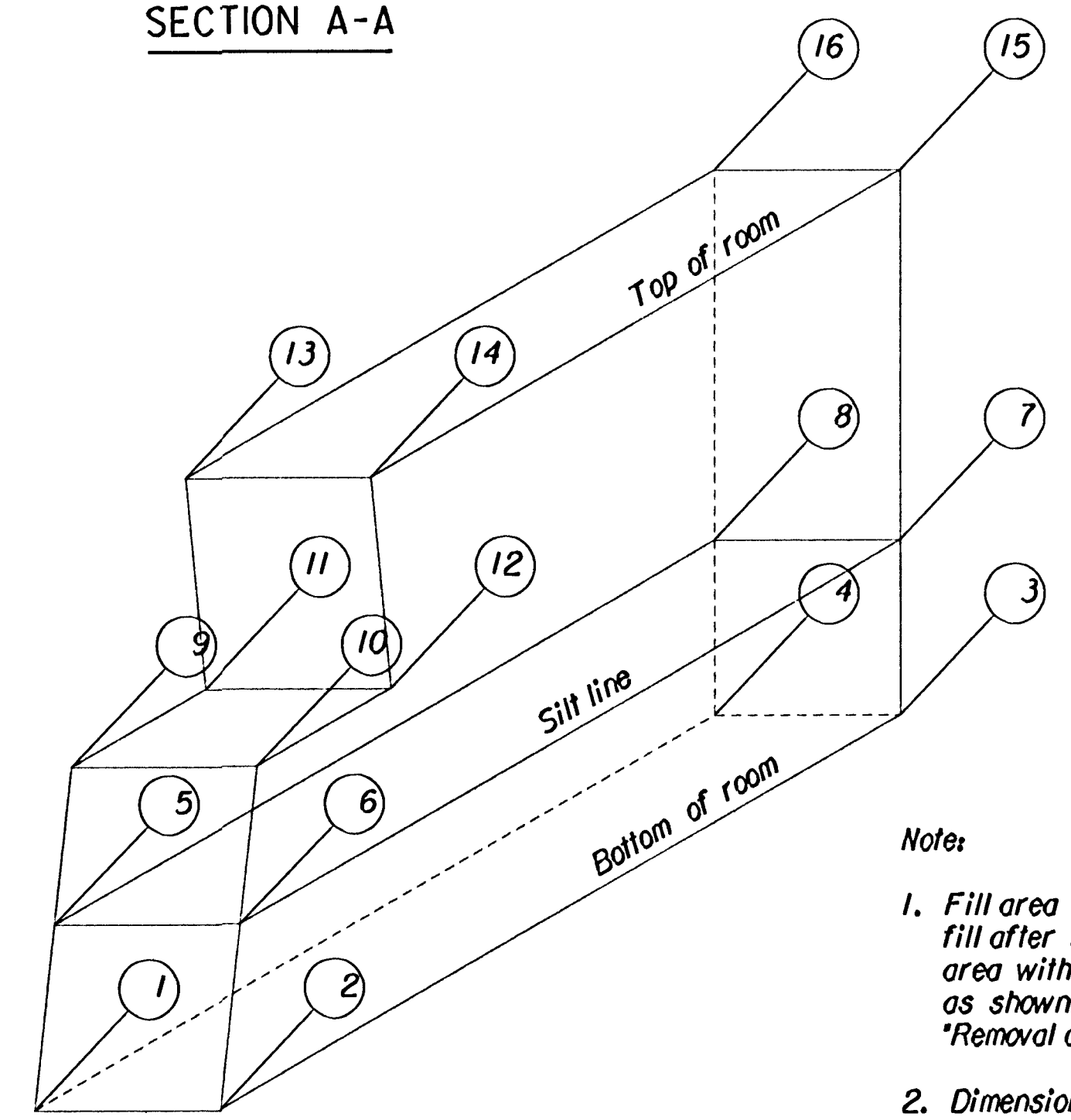


SECTION A-A

ELEVATION
(Looking West)



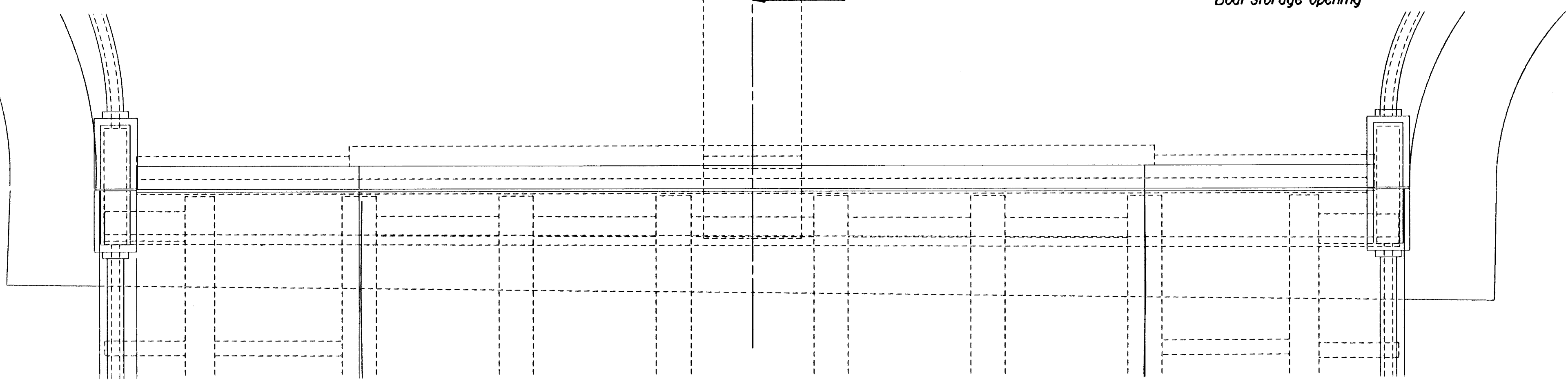
SECTION B-B
Boat storage opening



ISOMETRIC OF ROOM

Location	Station	± Offset	Elevation
1	10+02.77	2.50' Rt.	1291.20
2	10+02.77	2.50' Lt.	1291.20
3	9+83.87	2.50' Lt.	1291.20
4	9+83.87	2.50' Rt.	1291.20
5	10+02.39	2.50' Rt.	1295.86
6	10+02.39	2.50' Lt.	1295.86
7	9+83.87	2.50' Lt.	1295.86
8	9+83.87	2.50' Rt.	1295.86
9	10+02.06	2.50' Rt.	1299.77
10	10+02.06	2.50' Lt.	1299.77
11	9+98.53	2.50' Rt.	1299.77
12	9+98.53	2.50' Lt.	1299.77
13	9+98.53	2.50' Rt.	1305.79
14	9+98.53	2.50' Lt.	1305.79
15	9+83.87	2.50' Lt.	1305.79
16	9+83.87	2.50' Rt.	1305.79

- Notes:**
1. Fill area that was old police boat storage with flowable fill after blocking opening to old storage area with reinforced "Class AAA Concrete (AE)" as shown in Elevation and Sections. Subsidiary to "Removal of Existing Structure".
 2. Dimensions and Elevations shown are based on field measurements and shall be verified by the Contractor.
 3. Closure involves 22 cubic yards of Excavation and 44 cubic yards of flowable fill. Measured from bottom of room to top of room.
 4. Top slab of closure may be drilled to provide flowable fill access to the storage area.
 5. See Sht. No. 8 for payment note.



PLAN

No.	Revisions	By	Date
CITY OF WICHITA, KANSAS JAMES L. ARMOUR, P.E.-ACTING CITY ENGINEER MURDOCK BRIDGE OVER LITTLE ARKANSAS RIVER BOAT AREA CLOSURE DETAIL CITY OF WICHITA PROJECT NO. 472-83895			
Professional Engineering Consultants, P.A. <small>303 S. TOPEKA • WICHITA, KANSAS 67202 316-262-2691 • FAX 316-262-3003</small>			
Designed by	R.A.S.	Checked by	R.A.S.
Drawn by	W.L.L.	Date	Oct. 2003 Job No. 96940-2

12/1996/96940/002/officecheck/boataccess
 drawn by: ras
 plotted by: ras 3-20-2004