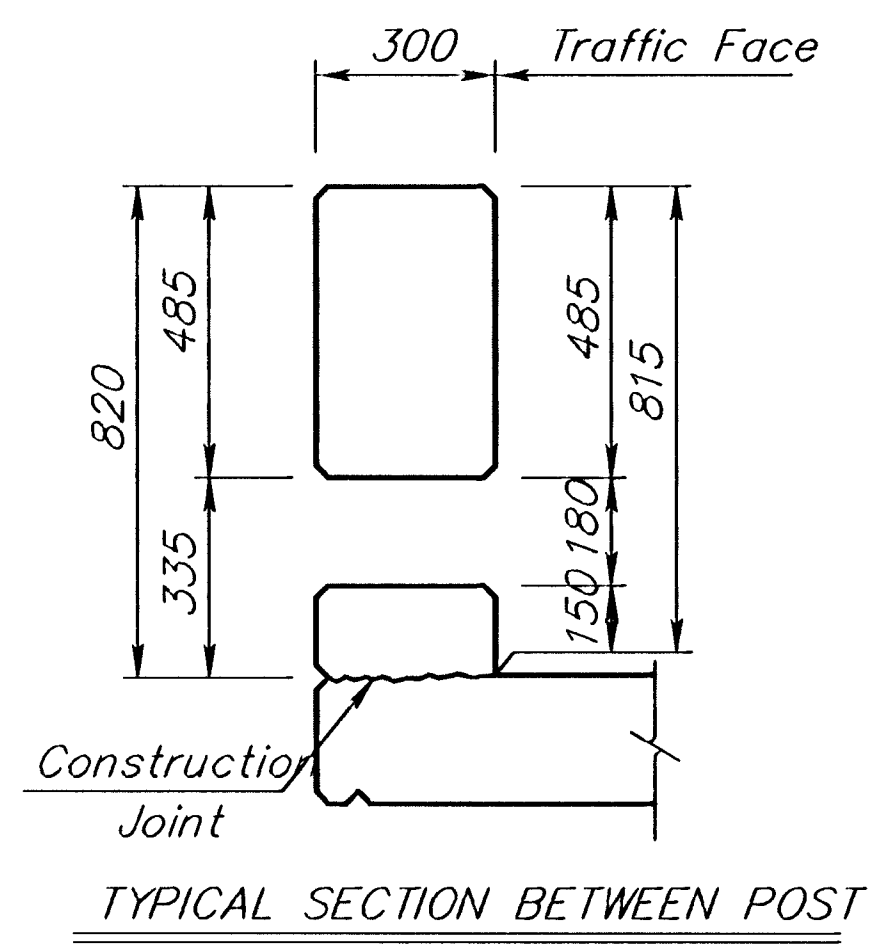
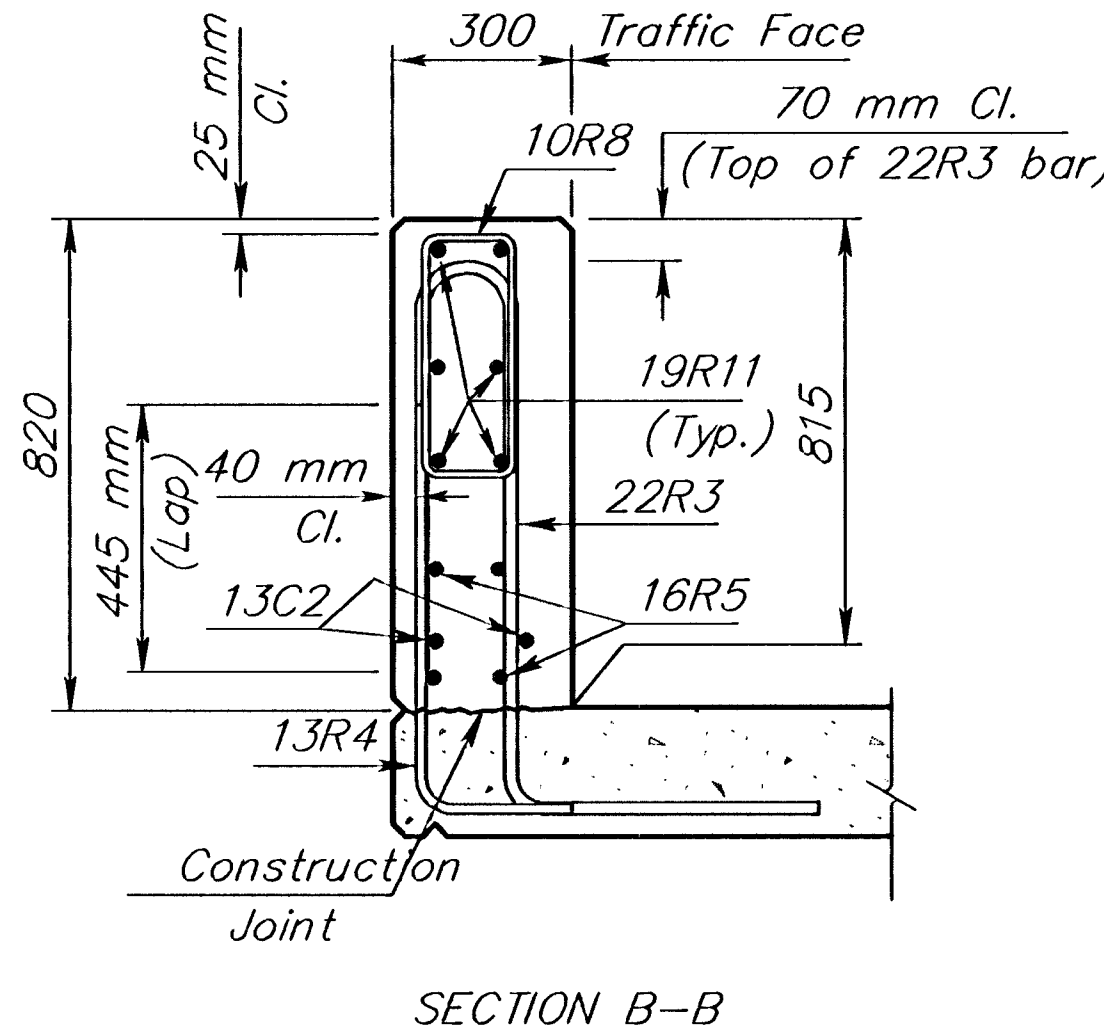
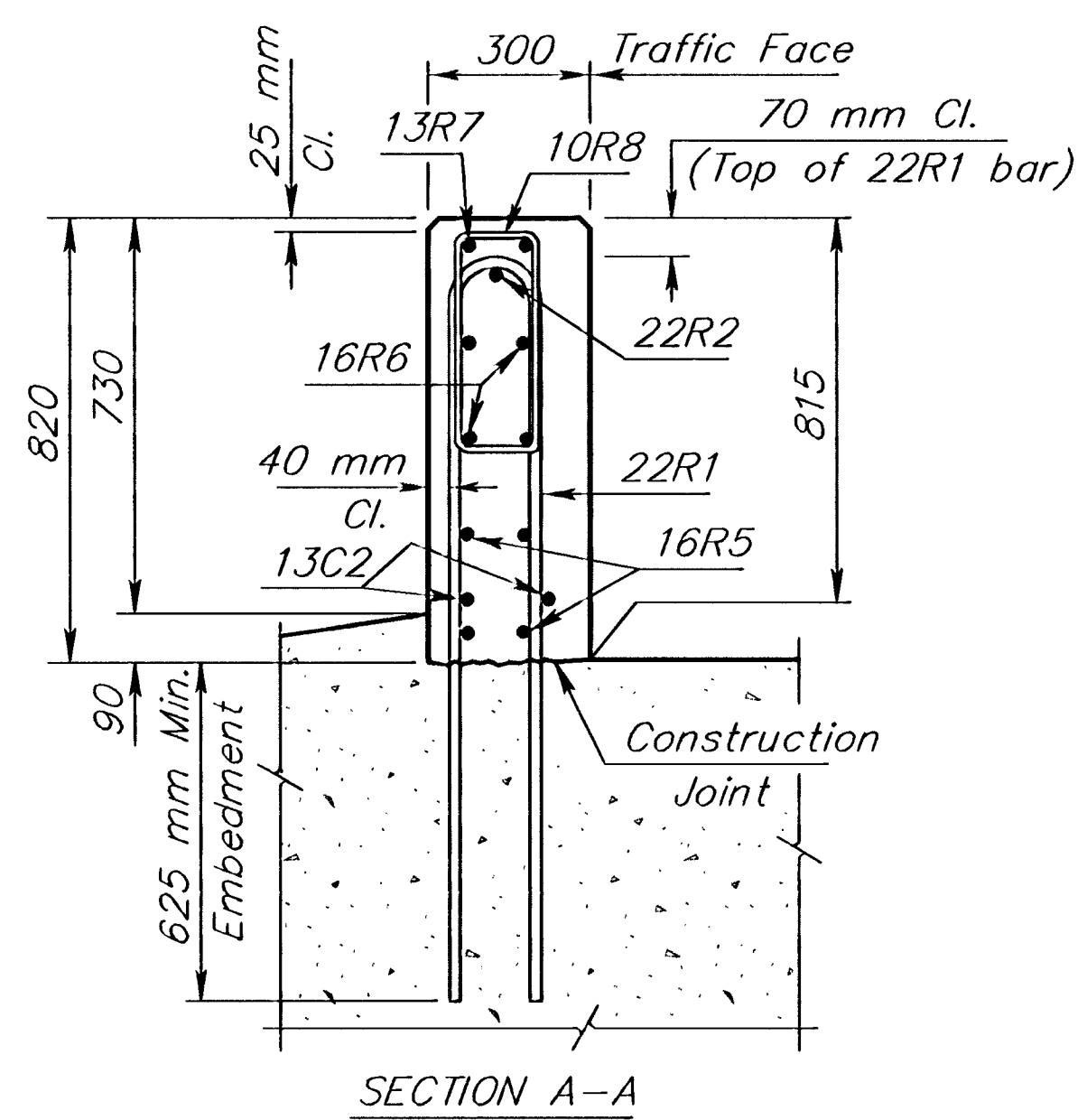
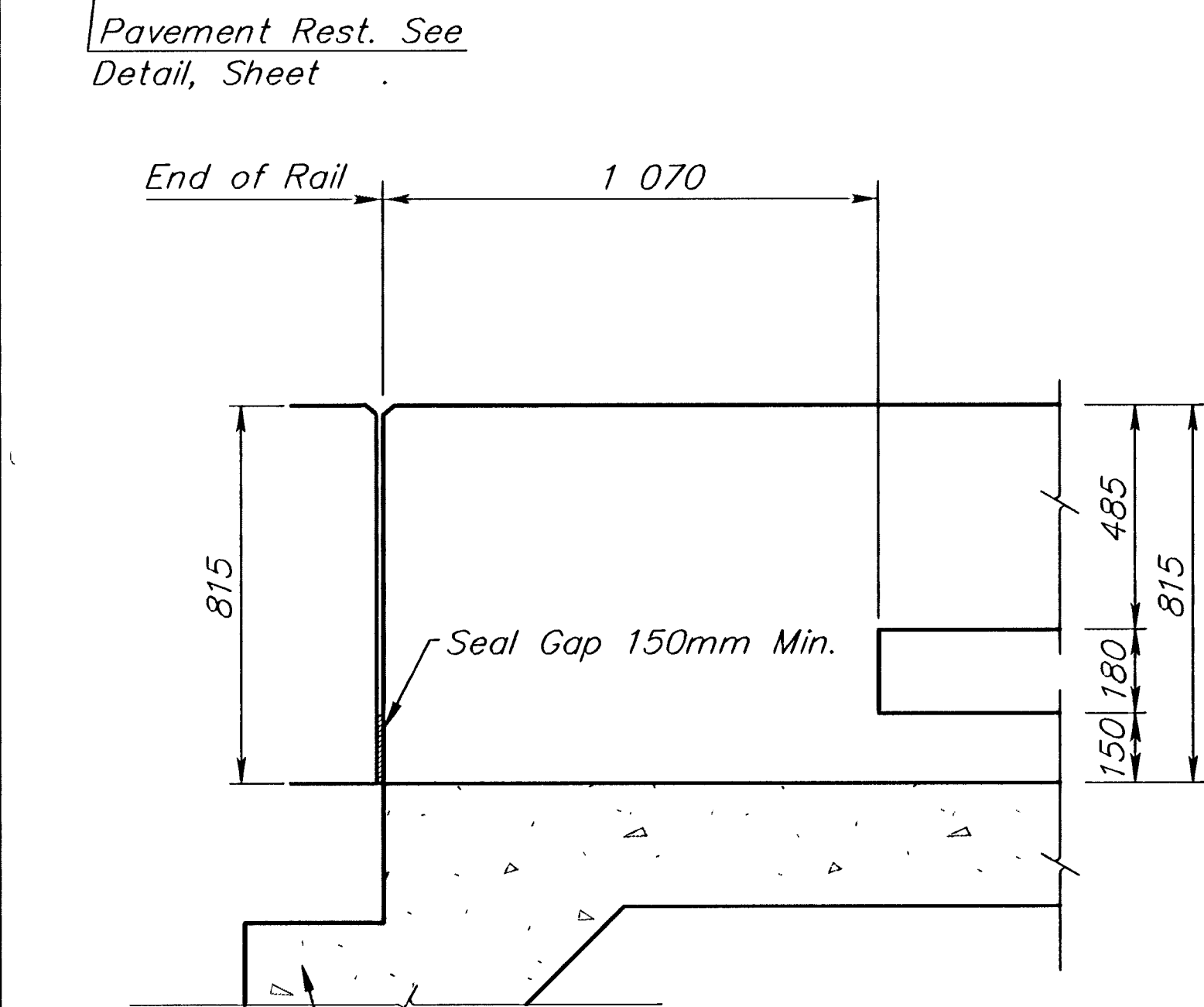
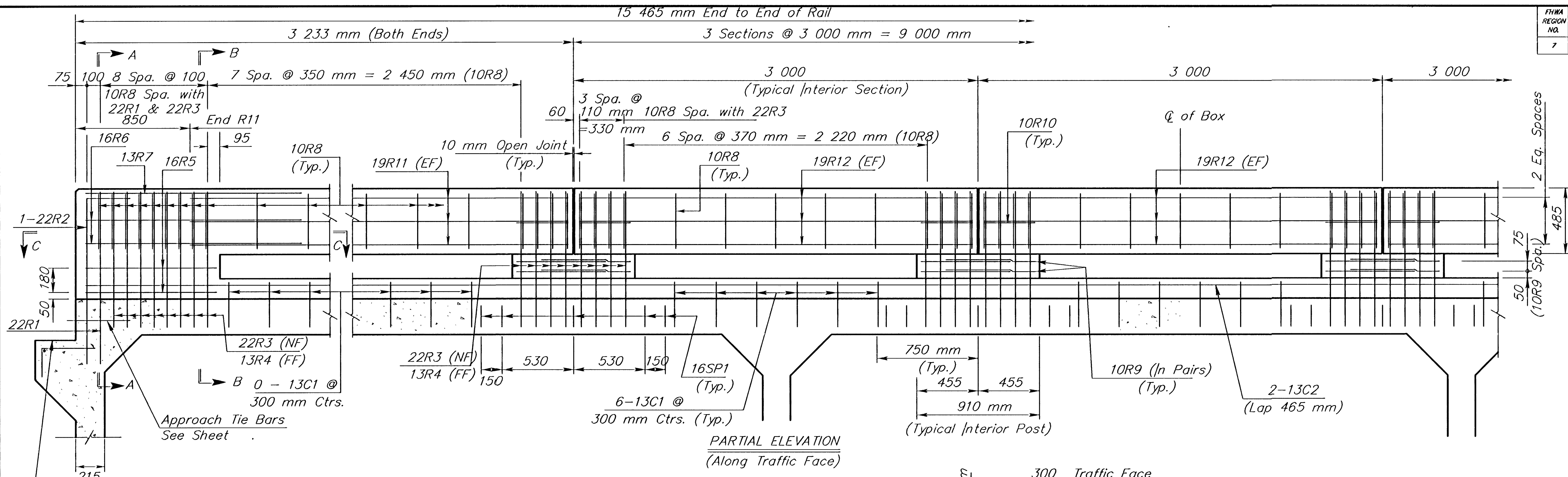
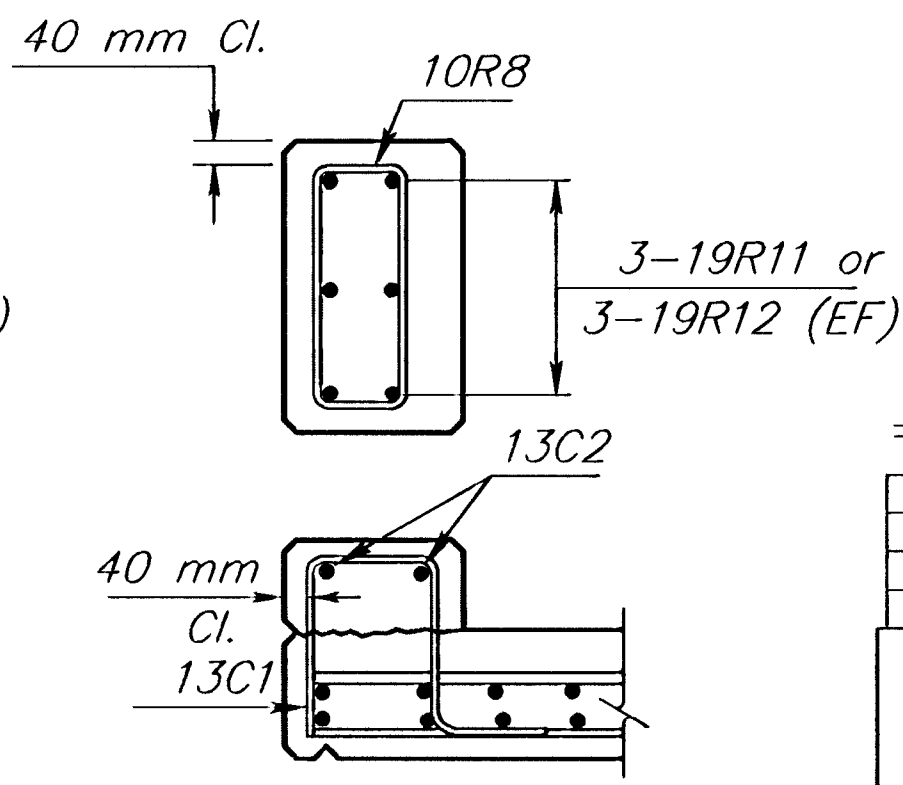
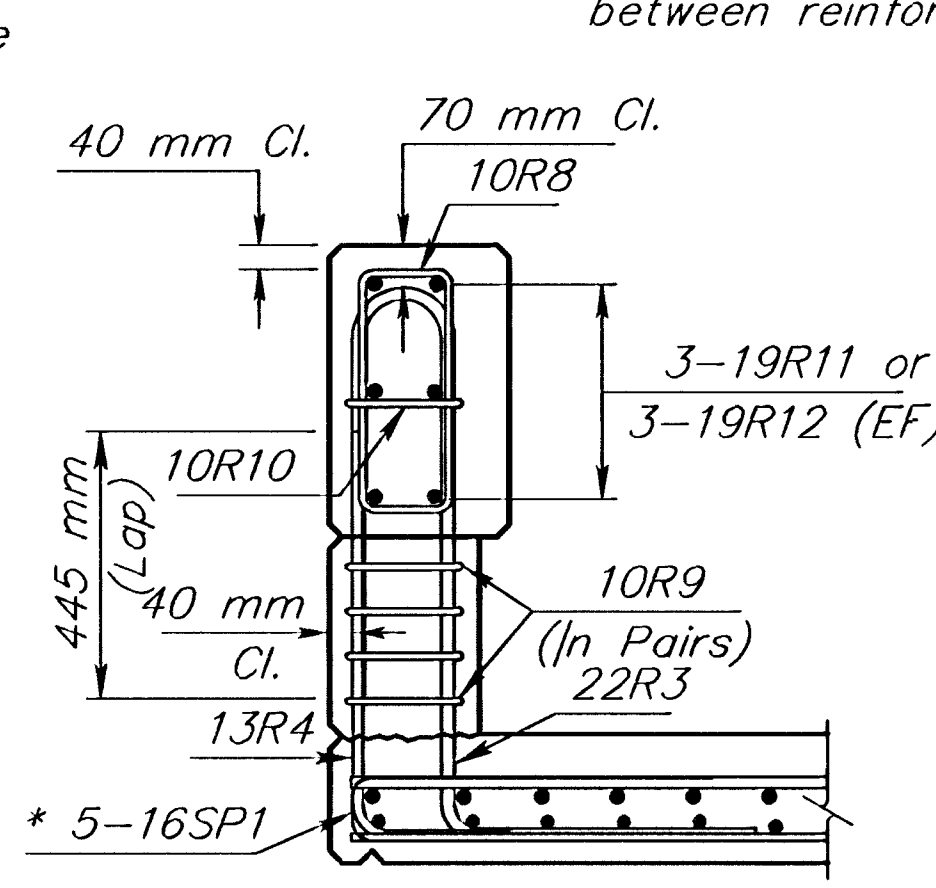
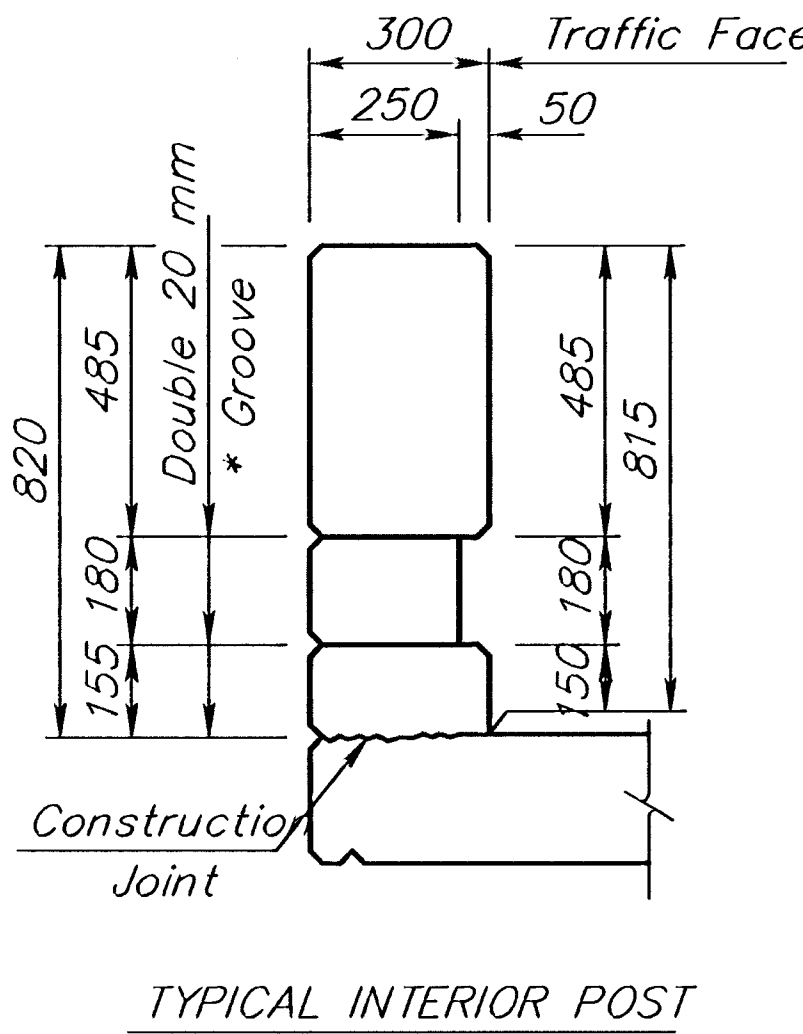
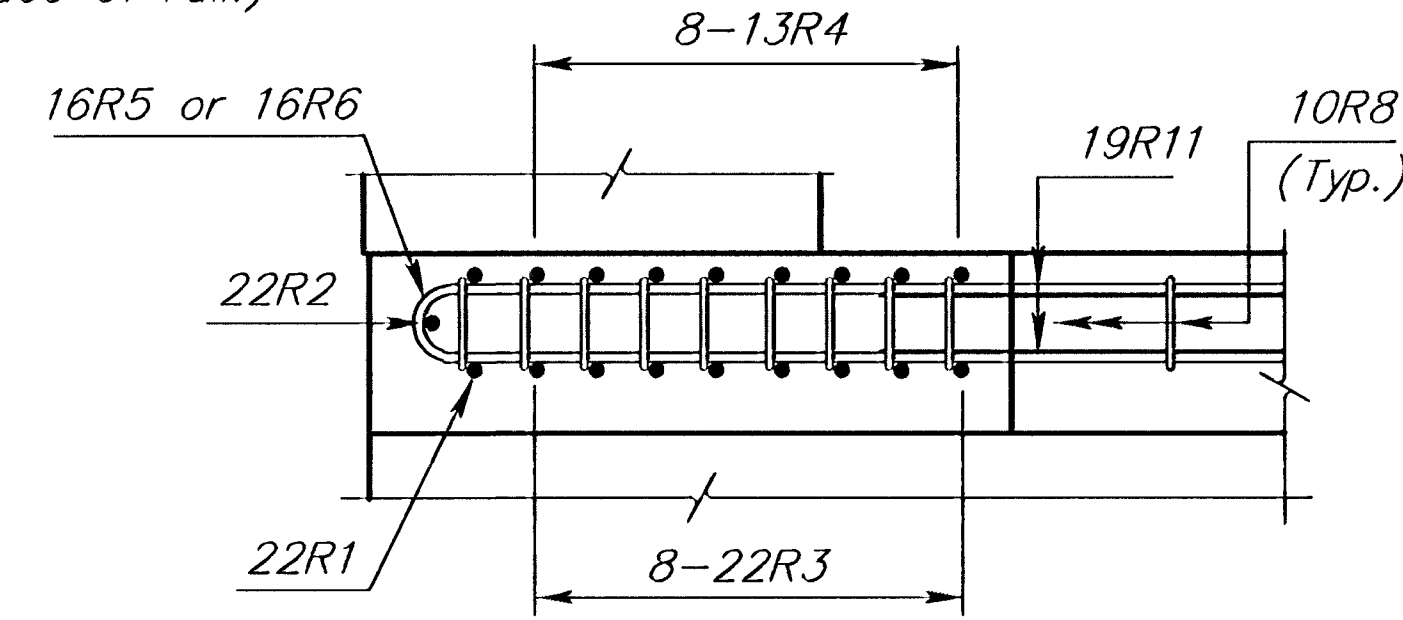


LEGEND
 NF = Near Face
 FF = Far Face
 EF = Each Face



* Note:
 The hook may be canted to provide clearance and/or fit between reinforcing.



NO.	DATE	REVISIONS	BY	APP'D
3	6-6-98	End block dimension	LRR	KFH
2	1-15-98	ASTM A615M-98 Changes	LRR	KFH
1	9-1-95	Change guard fence post length	LRR	KFH

KANSAS DEPARTMENT OF TRANSPORTATION

GUIDELINES FOR THE
 815 mm KANSAS CORRAL RAIL
 (With Curb)

DESIGNED	APP'D	QUANTITIES	CADD
DETAIL CK.	DESIGN CK.	LRR	QUAN. CK.

Plotted By: \$USER\$
 Server File: /usr2/stand/si/br1820si.dgn
 Server: witch
 View=PLOT1
 Plot Date: \$SYTIME\$