

### BICYCLE TRAFFIC CONTROL SIGNS & SIGN POSTS

STATION	LOCATION FROM BL.	SIGN TYPE							SIGN POST LENGTH 1 3/4" x 1 3/4" X VARIES
		R1-5	R4-11	R10-15R	W11-1	W11-15	W16-9P	R1-6	
7+12	RT.		1						9'-6"
12+74	LT.		1						9'-6"
13+66	LT.			1					9'-6"
13+66	RT.		1						9'-6"
15+95	LT.		1						9'-6"
17+20	RT.		1						9'-6"
18+77	RT.					1	1		10'-0"
19+77	RT.	1							10'-0"
19+65	LT.		1						9'-6"
20+12	LT.						2		
20+81	RT.		1						9'-6"
20+83	LT.	1							10'-0"
21+83	LT.					1	1		10'-6"
25+44	RT.			1					9'-6"
25+85	LT.		1						9'-6"
27+17	RT.		1						9'-6"
152+64	RT.	1							10'-0"
152+64	RT.					1	1		10'-6"
152+90	LT.							2	
153+18	LT.	1							10'-0"
154+97	LT.					1	1		10'-6"

GROVE ON-STREET CONNECTION									
4+13	LT.		1						9'-6"
4+55	LT.				1		1		10'-6"
<b>TOTAL</b>		<b>4</b>	<b>10</b>	<b>2</b>	<b>1</b>	<b>4</b>	<b>5</b>	<b>4</b>	

### SIGN DESCRIPTION

CLASS.	TYPE	PROCESS	SIZE	AREA
M4-11	"BEGIN" PLAQUE	REV. SCREEN	12" x 4"	0.33 Sq. FL
M4-12	"END" PLAQUE	REV. SCREEN	12" x 4"	0.33 Sq. FL
M7-1R	RIGHT ARROW PLAQUE	REV. SCREEN	12" x 9"	0.75 Sq. FL
M7-1L	LEFT ARROW PLAQUE	REV. SCREEN	12" x 9"	0.75 Sq. FL
'SPECIAL' R1-5	YIELD HERE TO PEDS	REV. SCREEN	30" x 36"	7.5 Sq. FL
R1-6	IN-STREET PEDESTRIAN CROSSING	REV. SCREEN	12" x 36"	3.0 Sq. FL
R4-11	BICYCLES MAY USE FULL LANE	REV. SCREEN	30" x 30"	6.25 Sq. FL
R10-15R	TURNING VEHICLES YIELD TO BIKES	REV. SCREEN	30" x 30"	6.25 Sq. FL
R10-15L	TURNING VEHICLES YIELD TO BIKES	REV. SCREEN	30" x 30"	6.25 Sq. FL
W11-1	BICYCLE WARNING	REV. SCREEN	24" x 24"	4.0 Sq. FL
W11-15	BICYCLE / PEDESTRIAN WARNING	REV. SCREEN	24" x 24"	4.0 Sq. FL
'SPECIAL' W16-8	'SPECIAL' NAME PLAQUE	REV. SCREEN	24" x 8"	1.33 Sq. FL
W16-9P	"AHEAD" PLAQUE	REV. SCREEN	24" x 12"	2.0 Sq. FL

NOTE: M4-11, M4-12, M7-1R, AND M7-1L ARE USED WITH PROJECT WAYFINDING SIGNAGE. REFER TO SHEET 18.

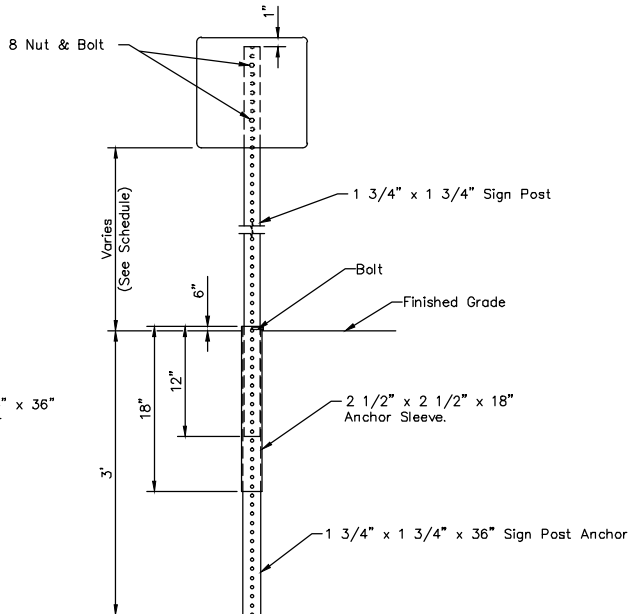
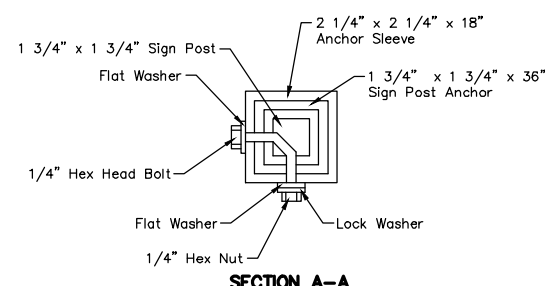
- NOTES:**
- IN ALL INSTALLATIONS THE FIRST HOLE ABOVE THE FINISHED GRADE LEVEL IN ALL THREE UNITS MUST BE IN LINE FOR INSERTION OF THE BOLT. ALL BOLTS AND NUTS FOR FASTENING THE SIGNS AND SIGN
  - POST ASSEMBLY SHALL COMPLY WITH SECTION 1614 AND ALL WASHERS SHALL COMPLY WITH SECTION 1614 OF THE STANDARD SPECIFICATIONS FOR STATE ROAD AND BRIDGE CONSTRUCTION (1980 EDITION) AND SHALL BE SUBSIDIARY ITEM. ALL LETTER, NUMBER & SYMBOL SIZES, SPACING & COLORS
  - AND SIGN COLORS SHALL CONFORM TO THE CURRENT "MANUAL ON UNIFORM TRAFFIC CONTROL DEVICES."
  - ALL SIGN MATERIALS TO BE 0.080" ALUMINUM.
  - VEHICLE TRAFFIC CONTROL SIGN DIMENSIONS AND MOUNTING HEIGHT SHALL CONFORM TO THE CURRENT "MUTCD".

#### PAVEMENT INSTALLATION SEQUENCE

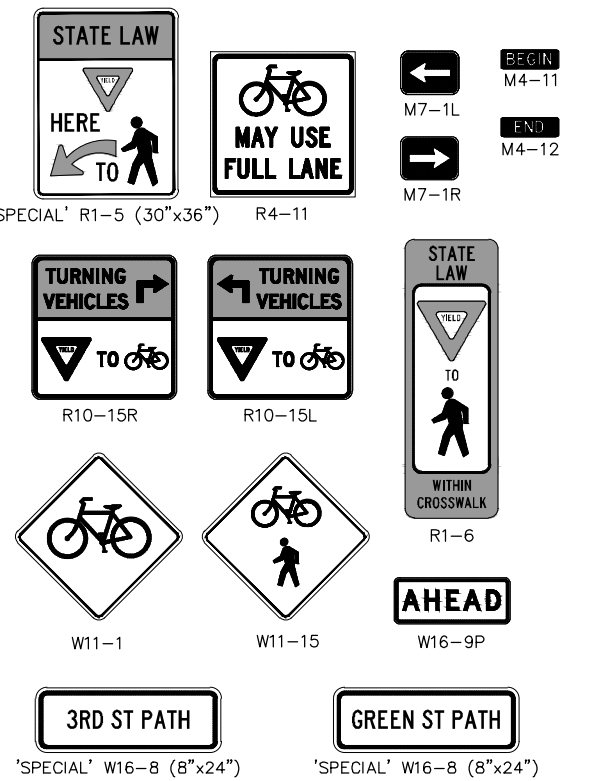
- SIGN POST ANCHOR DRIVEN INTO SUBGRADE PRIOR TO THE PLACEMENT OF THE PAVEMENT.
- ANCHOR SLEEVE DRIVEN INTO SUBGRADE OVER THE SIGN POST ANCHOR PRIOR TO THE PLACEMENT OF THE PAVEMENT
- INSERT SIGN POST INTO THE SIGN POST ANCHOR AND BOLT IN PLACE.

#### GROUND INSTALLATION SEQUENCE

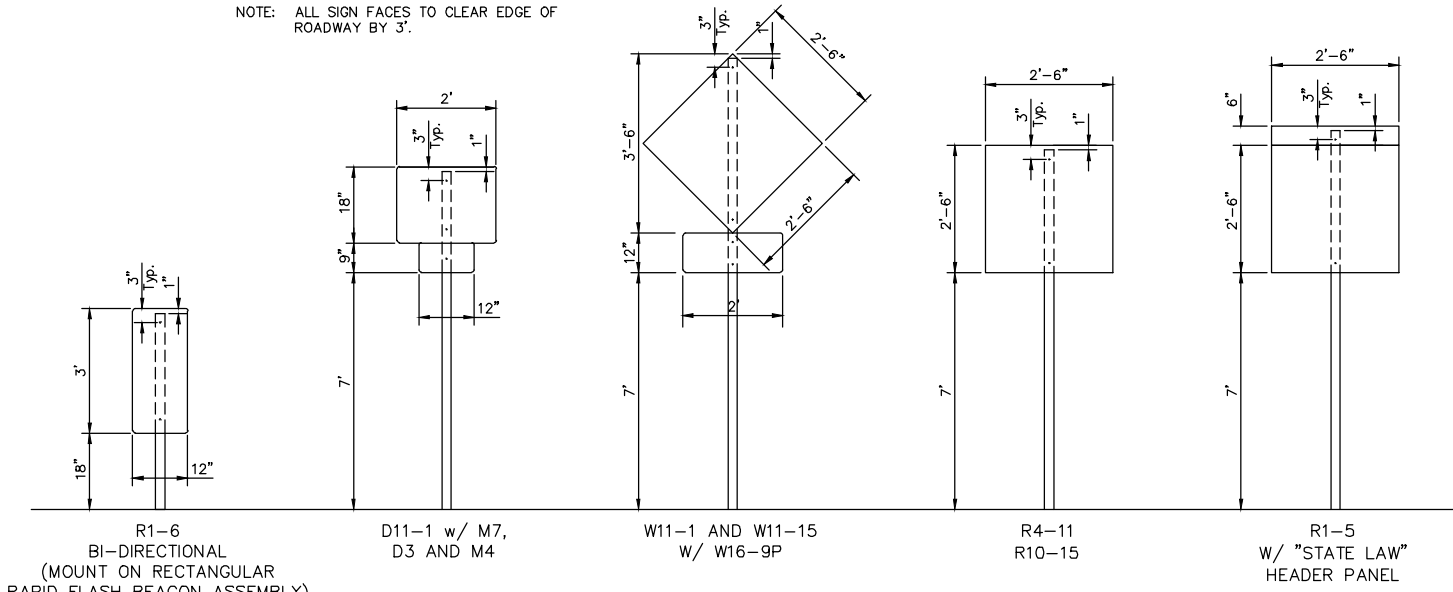
- SIGN POST ANCHOR DRIVEN INTO GROUND
- ANCHOR SLEEVE DRIVEN INTO THE GROUND OVER THE SIGN POST ANCHOR.
- INSERT SIGN POST INTO THE SIGN POST ANCHOR AND BOLT IN PLACE.



### BREAK-AWAY SIGN POST DETAIL



NOTE: ALL SIGN FACES TO CLEAR EDGE OF ROADWAY BY 3".



### BIKE SIGN MOUNTING DETAILS (SEE NOTE #5)

SIGN POST LENGTH SUMMARY	
BREAKAWAY SIGN POST : 1 3/4" x 1 3/4" x VARIES	
LENGTH	TOTAL # POSTS
4'-6"	2
9'-6"	12
10'-0"	4
10'-6"	5

**BIKE LANE SIGNAGE DETAILS AND QTYS.**

CITY ENGINEER  
**GARY JANZEN P.E.**

PROJECT NUMBER	OCA NUMBER	DATE
472-85112	092447	APRIL 2016

CITY ENGINEER'S OFFICE  
CITY HALL - SEVENTH FLOOR  
455 NORTH MAIN STREET  
WICHITA, KANSAS 67202-1620  
(316) 268-4501  
(316) 268-4114 FAX

DESIGN	DRAWN
BDT	BDT

SHEET  
**19 of 24**

I:\Projects\Projects 4100-4199\4180H (WSU to Schweiter Bikeway)\4180- Detail Base- Phase 2.dwg