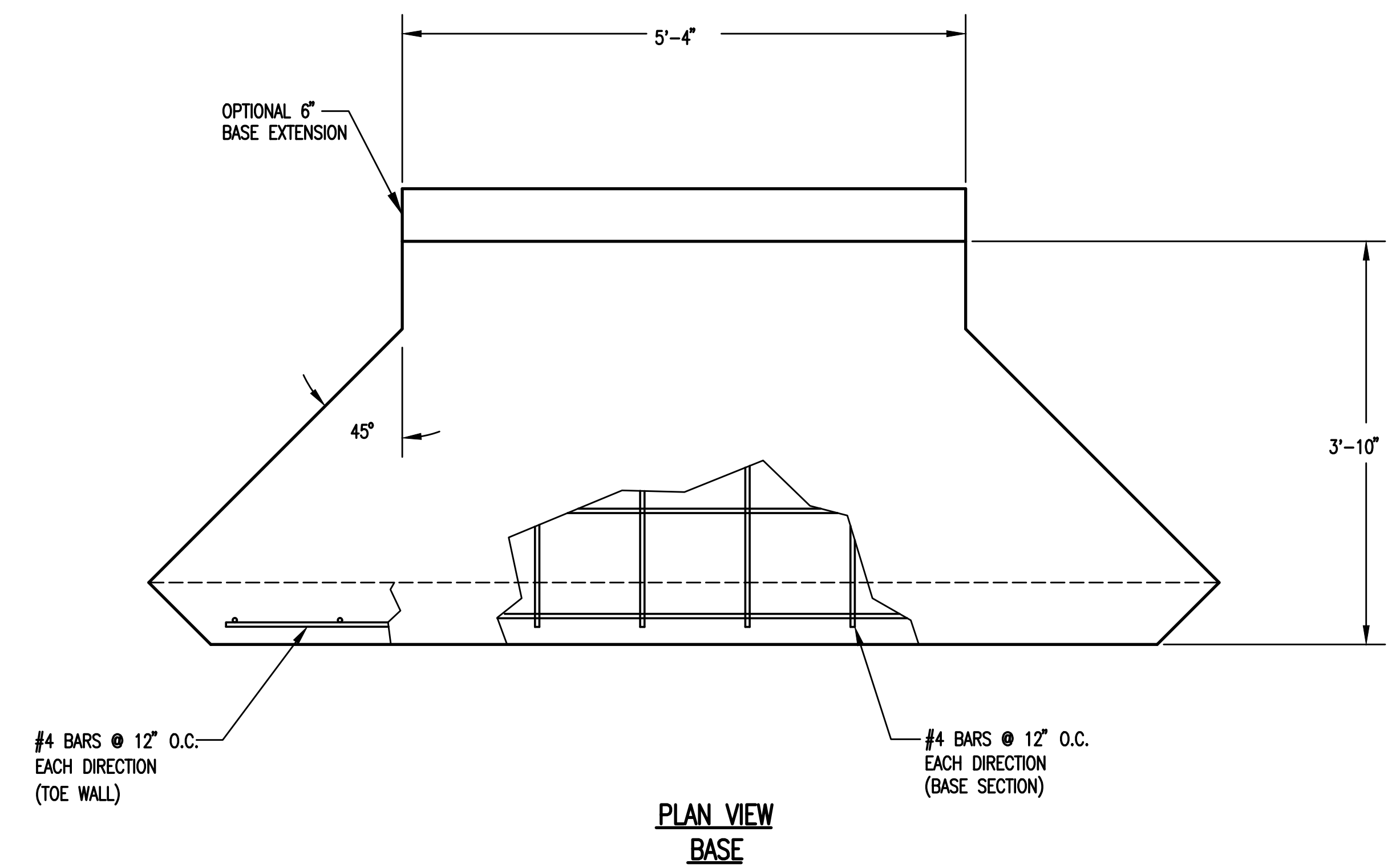
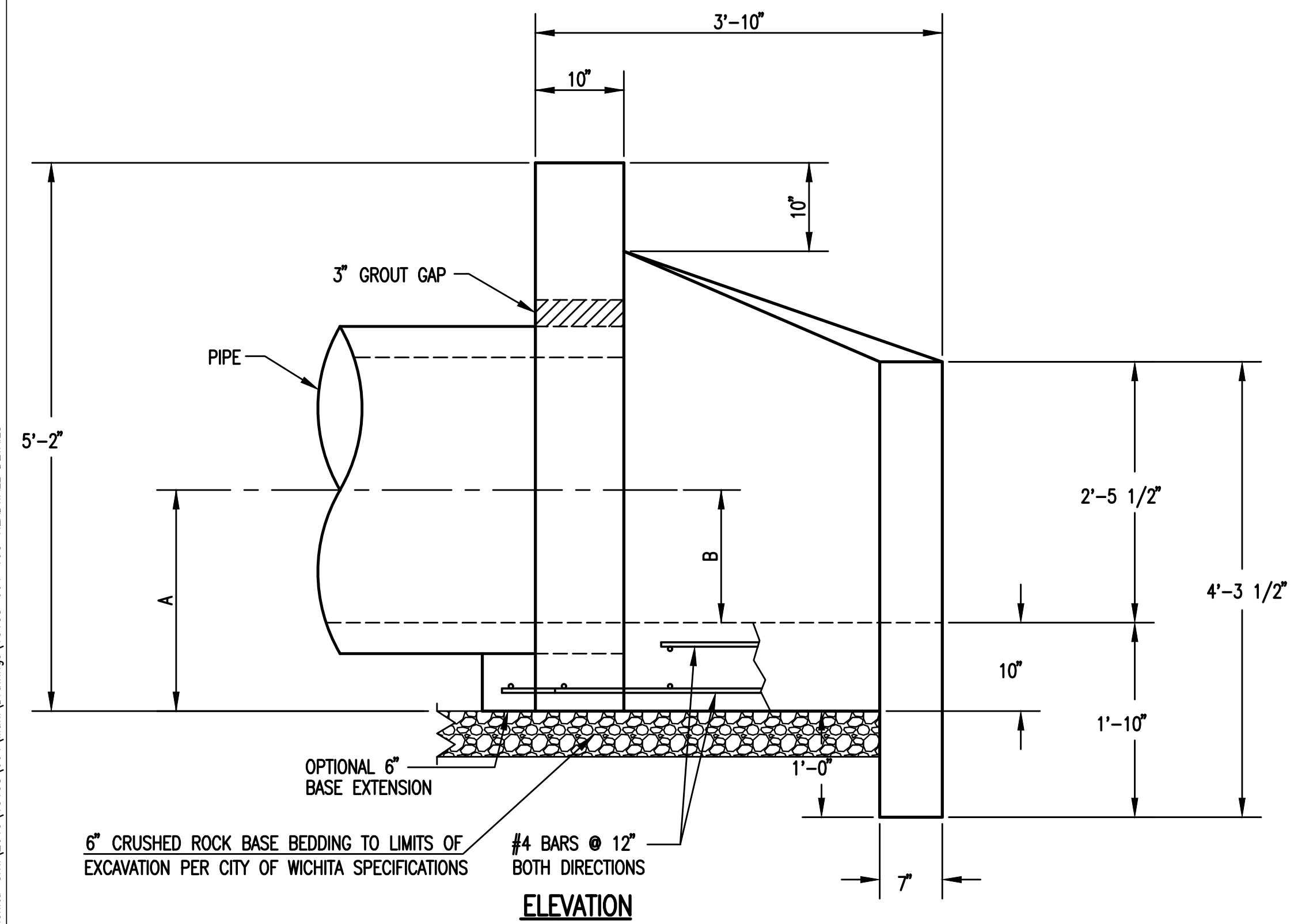


PLAN VIEW

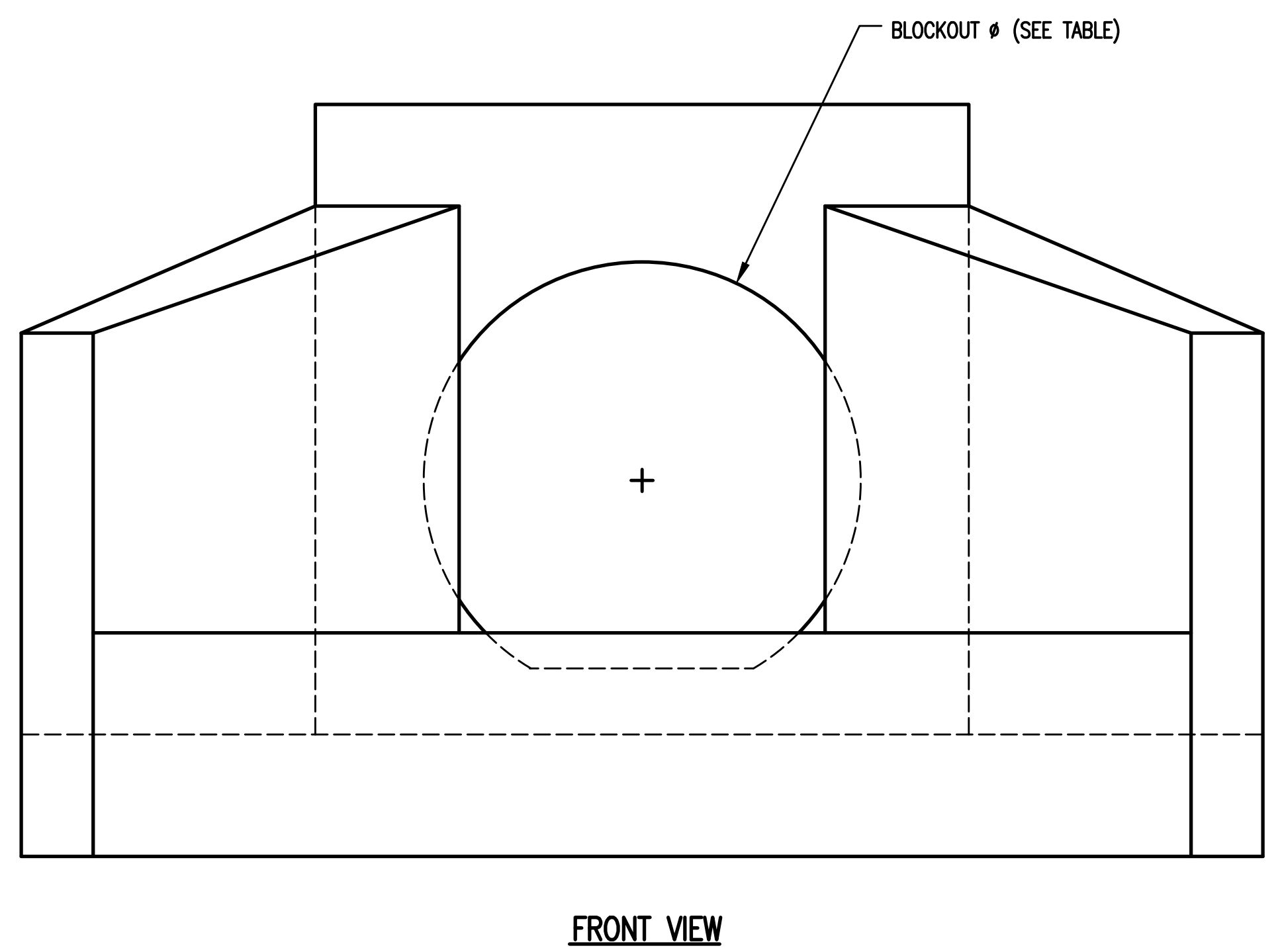


PLAN VIEW
BASE

PIPE Ø	A	B	BLOCKOUT Ø
30"	2'-1"	1'-3"	3'-7"
36"	2'-4"	1'-6"	4'-2"



ELEVATION



FRONT VIEW

Sheet 04-13-2017 7:39:45 AM by BJS
 Proj. Scale 1:1 04-13-2017 7:56:43 AM by BILL SEASON
 U:\Wichita-Civil\2015\15138\004\Wm\Drawings\15138-004-13C-HEADWALL DETAILS

HEADWALLS, AS SHOWN, WILL NOT SUPPORT FLAP GATE.

REVISED: MARCH 2015



**HEADWALL
DETAILS FOR
30" AND 36" PIPE**

CITY ENGINEER
GARY JANZEN, P.E.

PROJECT NUMBER 472-85237	OCA NUMBER 766387	DATE
CITY ENGINEER'S OFFICE CITY HALL - SEVENTH FLOOR 455 NORTH MAIN STREET WICHITA, KANSAS 67202-1620 (316) 268-4501		SHEET 13 of 28