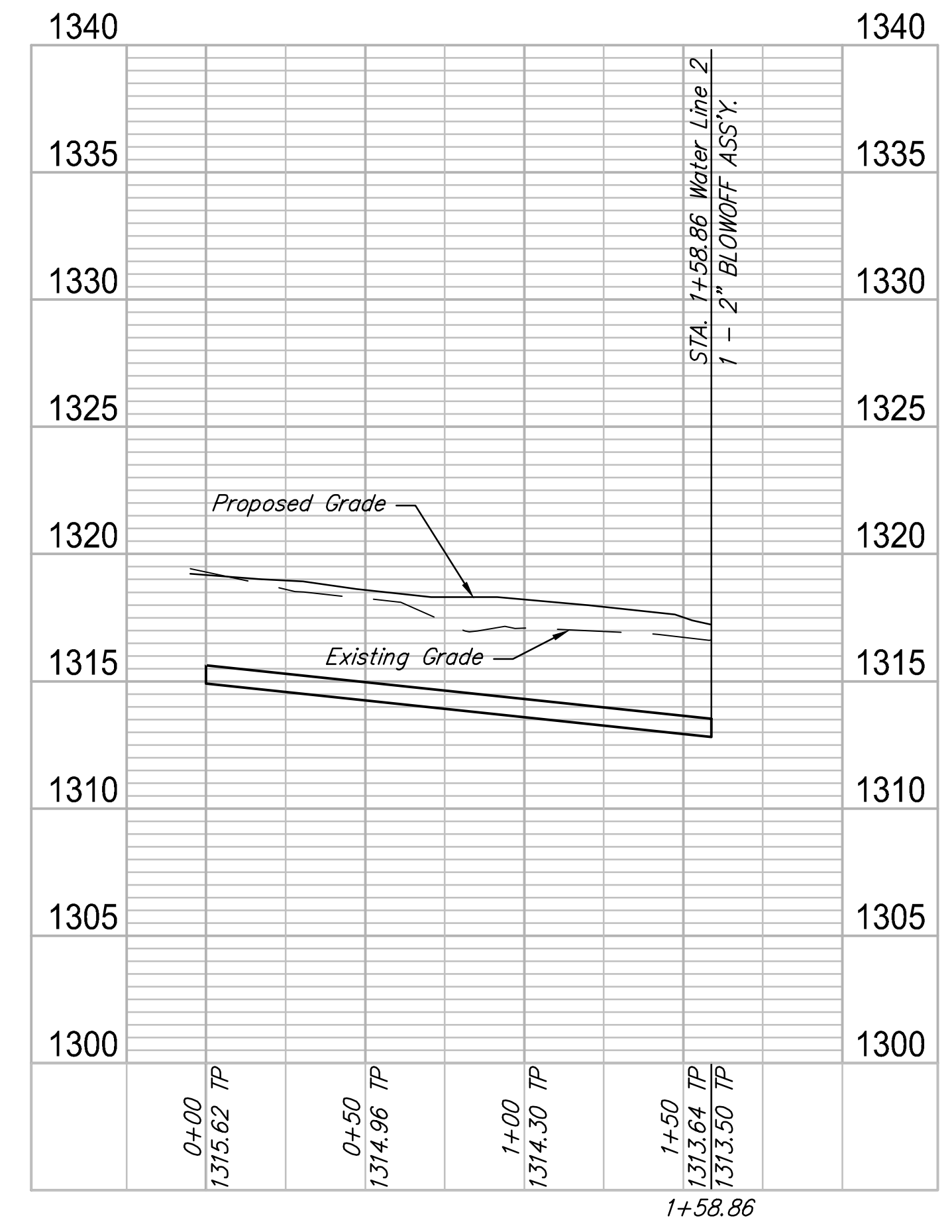
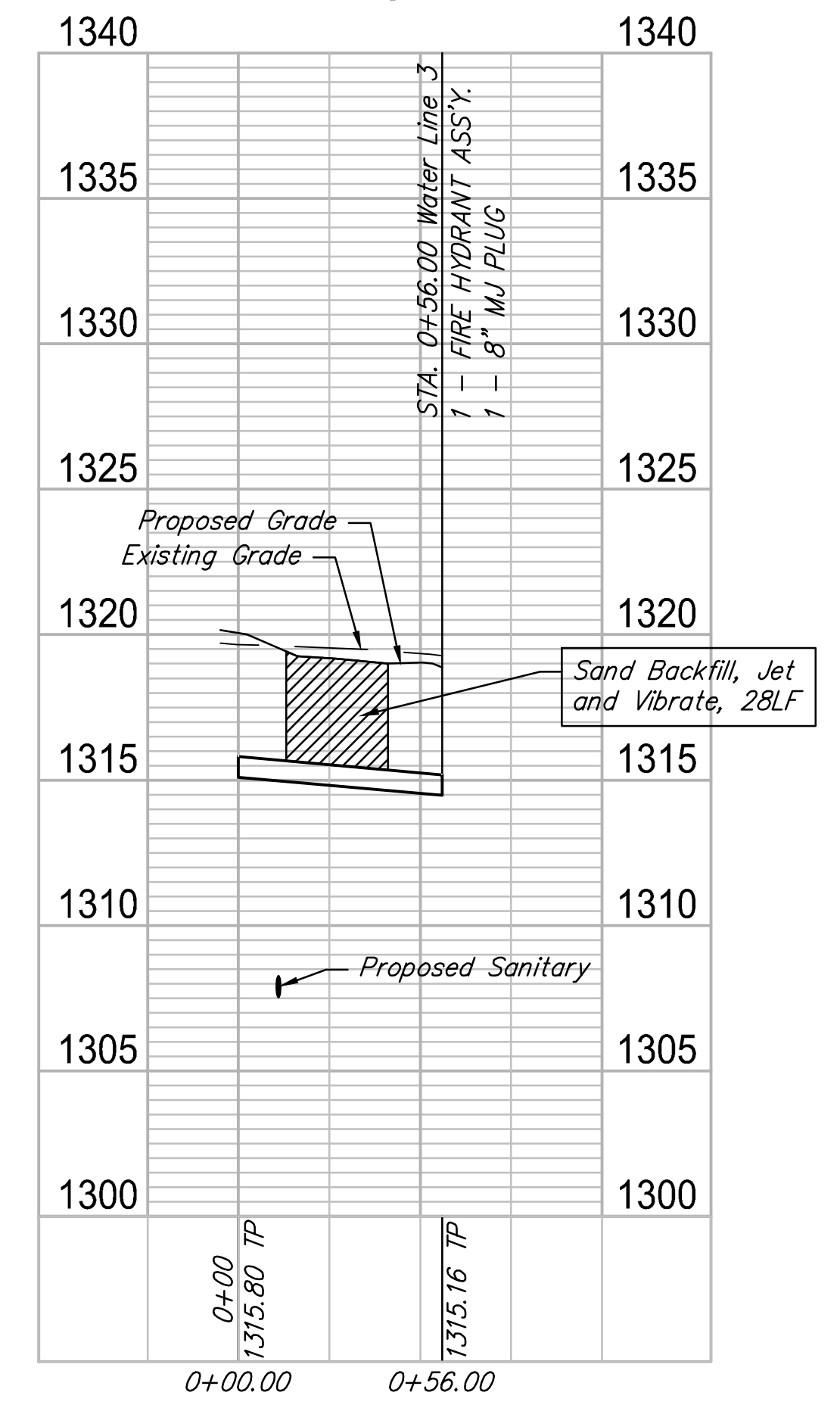


LINE 2



LINE 3



**RUGGLES BOHM**  
 ARCHITECTS & ENGINEERS  
 1000 W. 17th St., Suite 100  
 Wichita, Kansas 67202  
 Phone: 316.261.1111  
 Fax: 316.261.1112

PROJECT NUMBER: 448-30756  
 DESIGNER: MTD  
 DRAWING FILE: Water Line 2 - (2) - (3) [Water Lines 2] MTD  
 REVIEWER: DGZ  
 DATE: June 2017

**Clear Ridge Townhomes**  
**Water Lines 2 and 3**  
 Wichita, Kansas

RB JOB: 4835E  
 SHEET: 6 OF 15