

Sta. 25+75.20 BEGIN Concrete Pavement 9" (Reinf.) on Crushed Rock Base 6", Reinforced  
END Concrete Pavement 9" (NRDJ) on Crushed Rock Base 6", Reinforced

Sta. 20+55.30 END Concrete Pavement 9" (Reinf.) on Crushed Rock Base 6", Reinforced  
BEGIN Concrete Pavement 9" (NRDJ) on Crushed Rock Base 6", Reinforced

Construct Conc. Pvmt. 9" NRDJ on Crushed Rock Base 6" Reinf. (See NRDJ Joint Plan)

Construct Conc. Pvmt. 9" NRDJ on Crushed Rock Base 6" Reinf. (See NRDJ Joint Plan)

Sta. 26+69.00 END Concrete Pavement 9" (Reinf.) on Crushed Rock Base 6", Reinforced  
BEGIN Concrete Pavement 9" (NRDJ) on Crushed Rock Base 6", Reinforced

Construct Conc. Pvmt. 9" NRDJ on Crushed Rock Base 6" Reinf. (See NRDJ Joint Plan)

Install #4 Bars 24" Long at 30" on Center

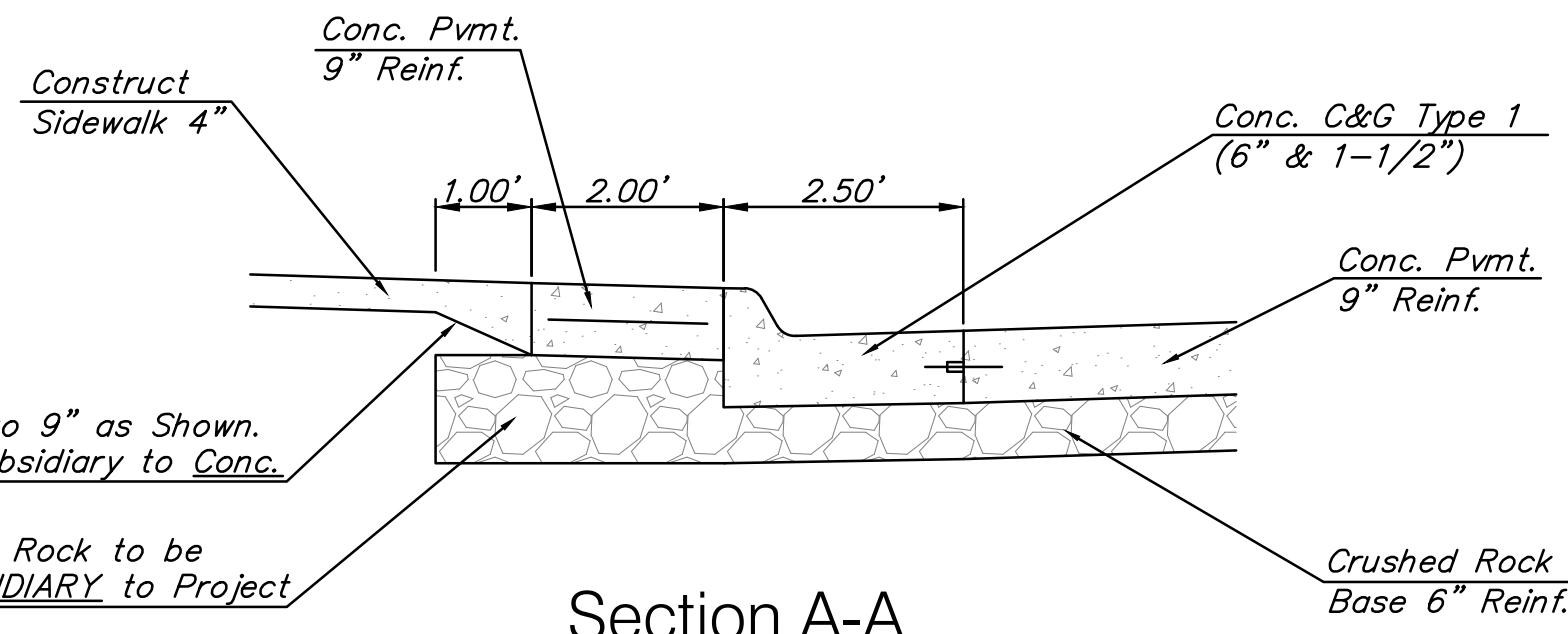
Wheelchair Ramps w/ Detectable Warnings (2 Each Corner) (6'x6')

Construct Conc. Sidewalk 4"

\*Typical on All Int. Corners, Concrete Pavement 9" Reinf. 2' Wide Behind Curbline Between All Wheelchair Ramps on Crushed Rock Base 6" Reinf. (See A-A Section Detail)

Sta. 19+36.25 BEGIN Concrete Pavement 9" (Reinf.) on Crushed Rock Base 6", Reinforced  
END Concrete Pavement 9" (NRDJ) on Crushed Rock Base 6", Reinforced

Construct Conc. Pvmt. 9" NRDJ on Crushed Rock Base 6" Reinf. (See NRDJ Joint Plan)



Section A-A  
Typical on All Intersection Radii

Thicken Edge to 9" as Shown. Cost to be Subsidiary to Conc. Sidewalk 4"  
Extra Rock to be SUBSIDIARY to Project