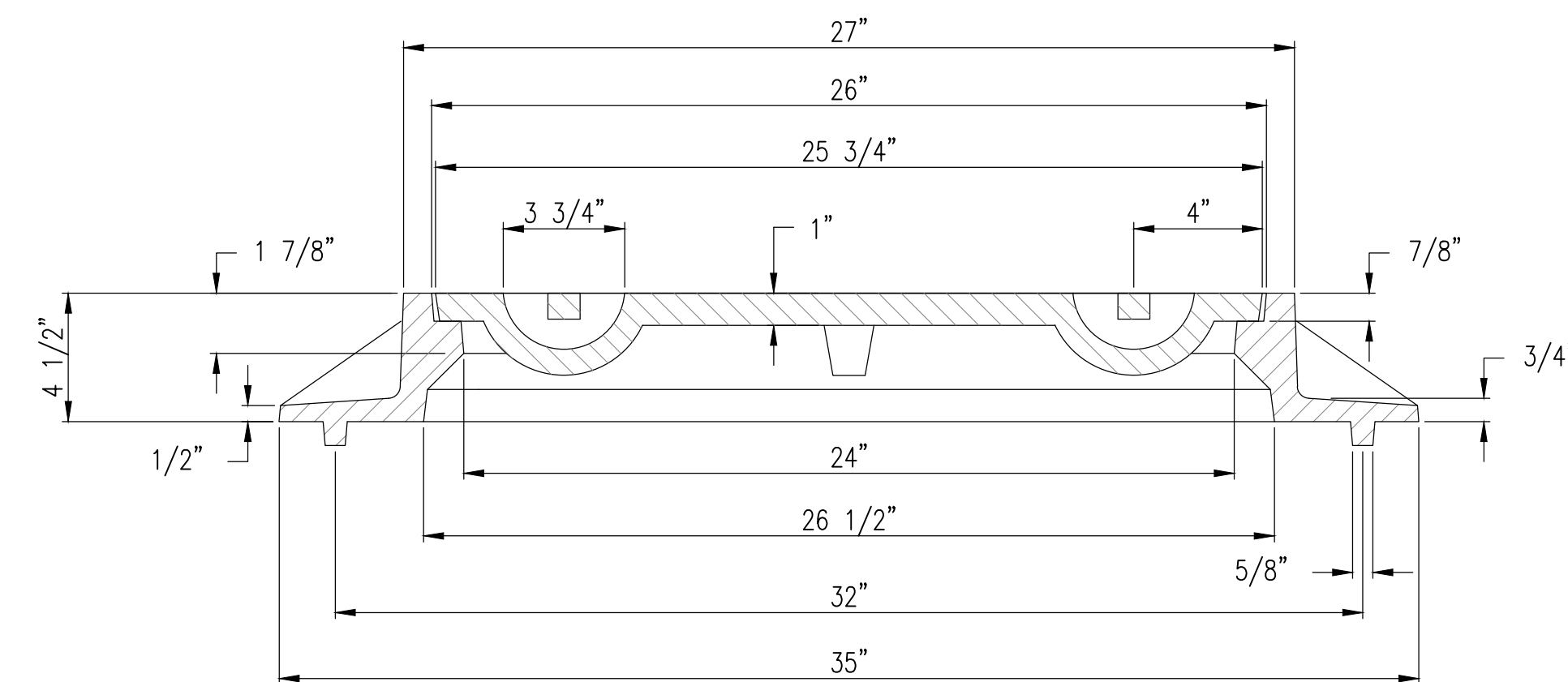


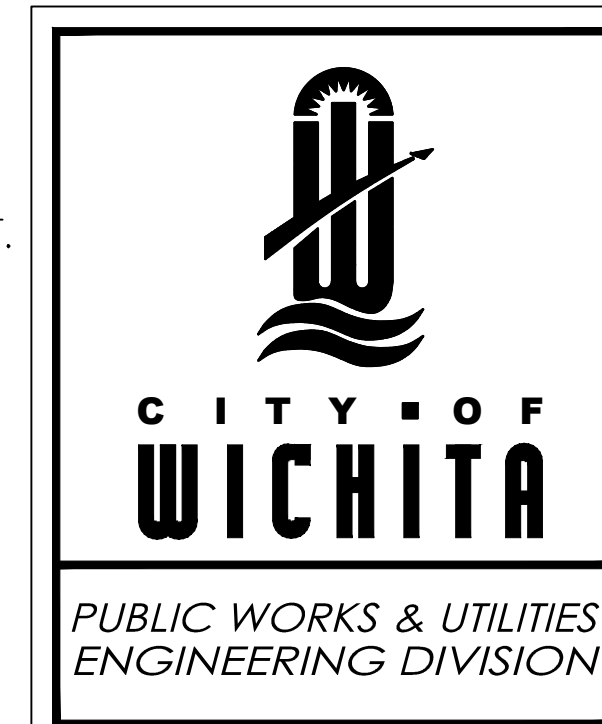
MANHOLE FRAME
DEETER #1261 OR EJIW #1936-Z1

- NOTE:
1. FURNISHED WITH MACHINED HORIZONTAL BEARING SURFACE.
 2. COVER TO BE DEETER #1261 OR EJIW #1936A.



INLET FRAME
DEETER #2014 OR EJIW #1936-Z4

- NOTE:
1. FURNISHED WITH MACHINED HORIZONTAL BEARING SURFACES.
 2. NOT TO BE USED UNDER PAVEMENT.
 3. COVER TO BE DEETER #1261 OR EJIW #1936A.



MANHOLE/INLET FRAME AND COVER (STORM SEWER)		
CITY ENGINEER GARY JANZEN, P.E.		
PROJECT NUMBER 472-85254	OCA NUMBER 707098	DATE 03/2017
CITY ENGINEER'S OFFICE CITY HALL - SEVENTH FLOOR 455 NORTH MAIN STREET WICHITA, KANSAS 67202-1620 (316) 268-4501		DESIGN DRAWN SHEET 24 of 58