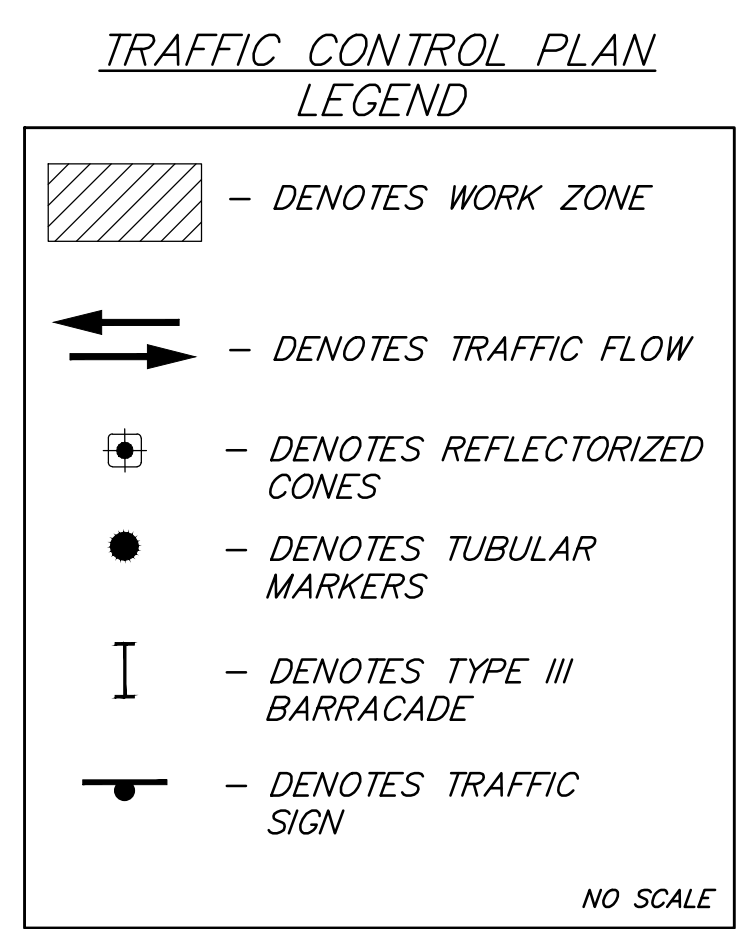
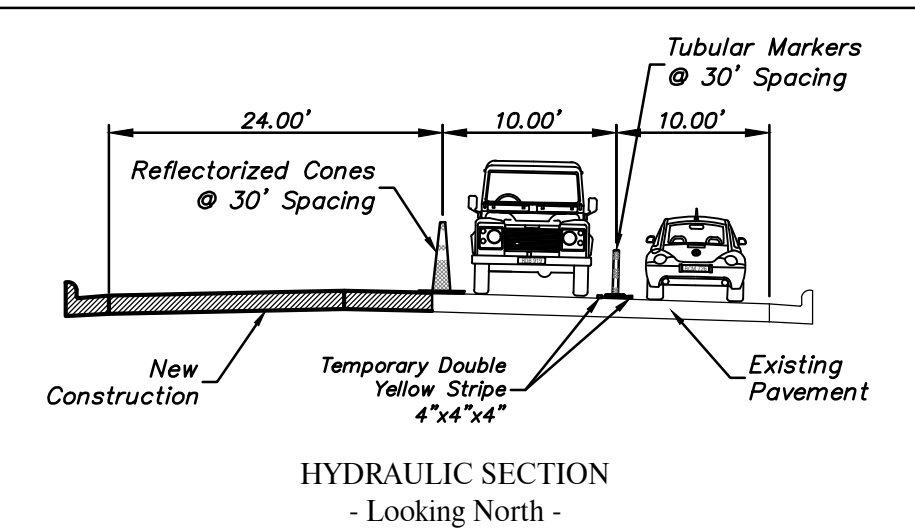
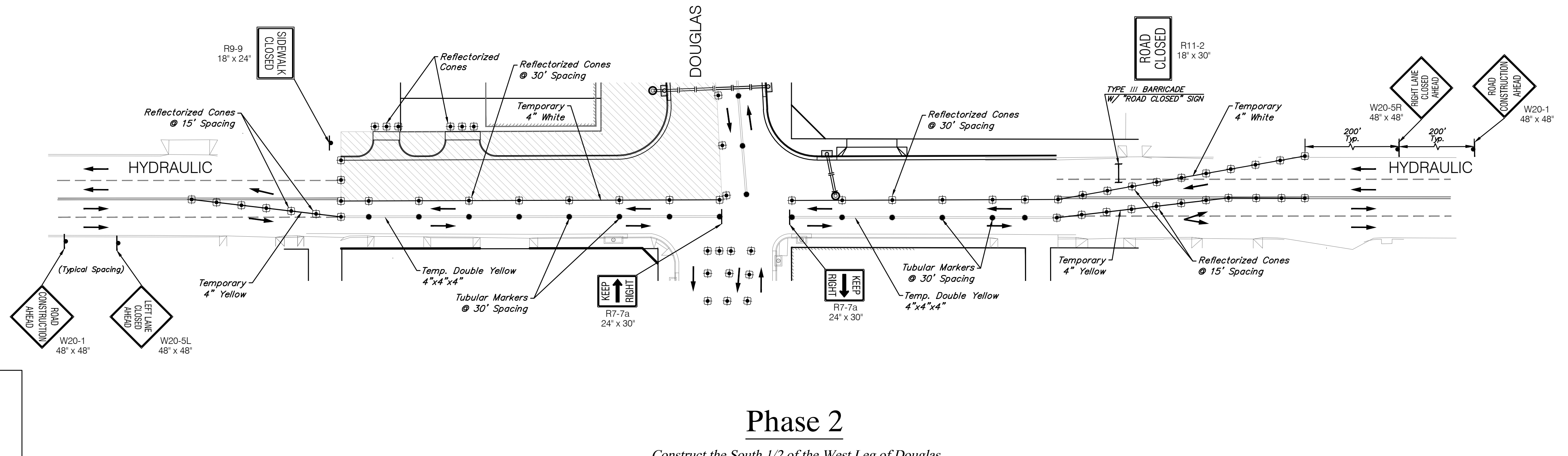
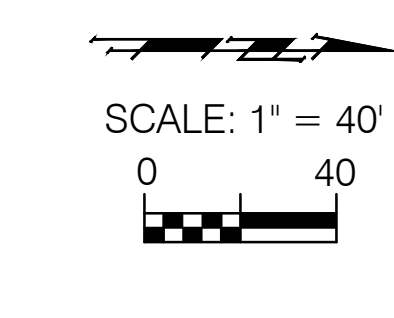


NOTE: INSTALL "NO LEFT TURN" SIGNS ON ALL FOUR DIRECTIONS IN INTERSECTION VISIBLE TO ONCOMING TRAFFIC

NOTE: REMOVE PAVEMENT MARKINGS AS NEEDED FOR LANE CHANGES LASTING > 3 CALENDAR DAYS



Phase 2

Construct the South 1/2 of the West Leg of Douglas and the West 1/2 of the South Leg of Hydraulic.
Two Way Traffic at All Times on Existing and New Pavement.
No Left Turns Allowed.
No Detours.

Design: Ken Klag
Drawn: LP
Approved: T. Azicre
Scale: Noted

Project No. 1307E933
CAPITAL IMPROVEMENT PROJECT
DOUGLAS & HYDRAULIC INT.
Construction Sequence Phase 2
DOUGLAS - WASHINGTON to GROVE

Baughman Company, P.A.
315 Ellis St. Wichita, KS 67211 P 316-263-7271 F 316-262-0149
ENGINEERING | SURVEYING | PLANNING | LANDSCAPE ARCHITECTURE