

CONSULTANTS:

143RD STREET IMPROVEMENTS

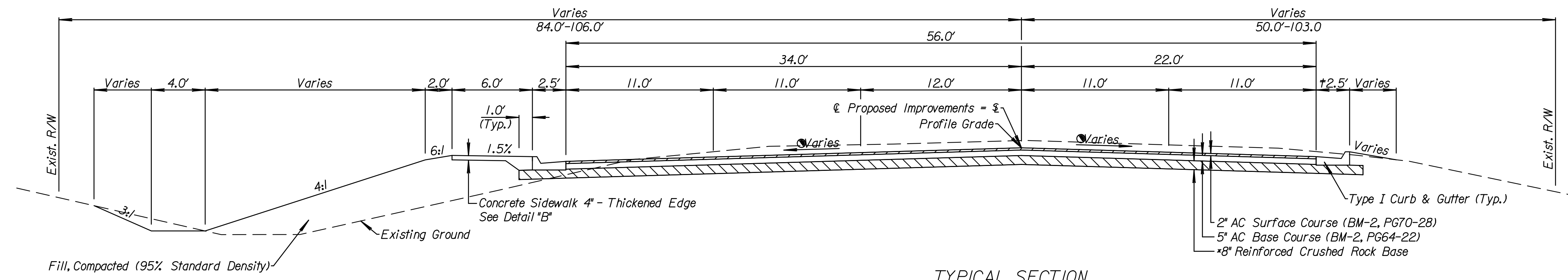


REVISIONS:	DESCRIPTION	DATE	MARK

PROJ NO: 87 N-0614-01
 SCALE: N/A
 DATE: 5/26/2017
 DESIGNED BY: TAU
 DRAWN BY: TAU
 CHECKED BY: MDB

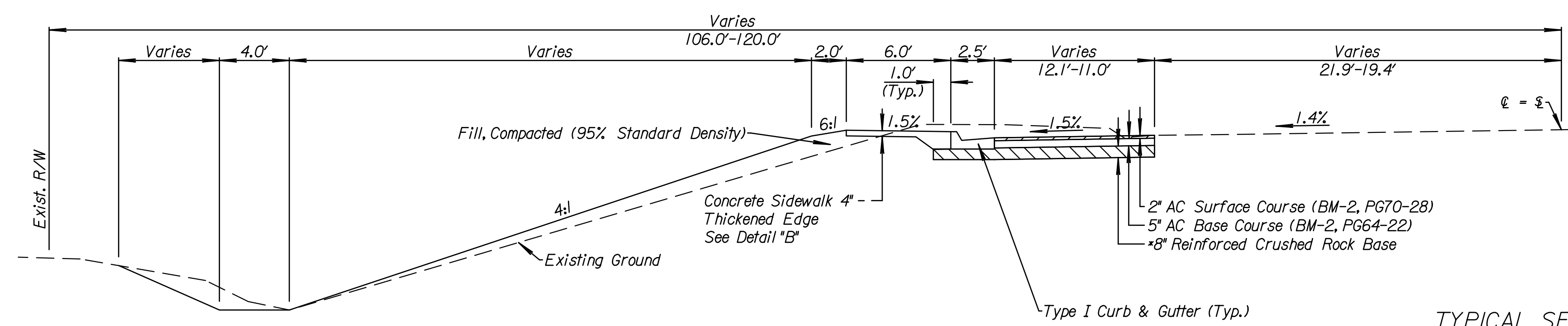
SHEET TITLE:
143RD STREET TYPICAL SECTIONS

SHEET NO.
9
 SHEET 9 OF 236



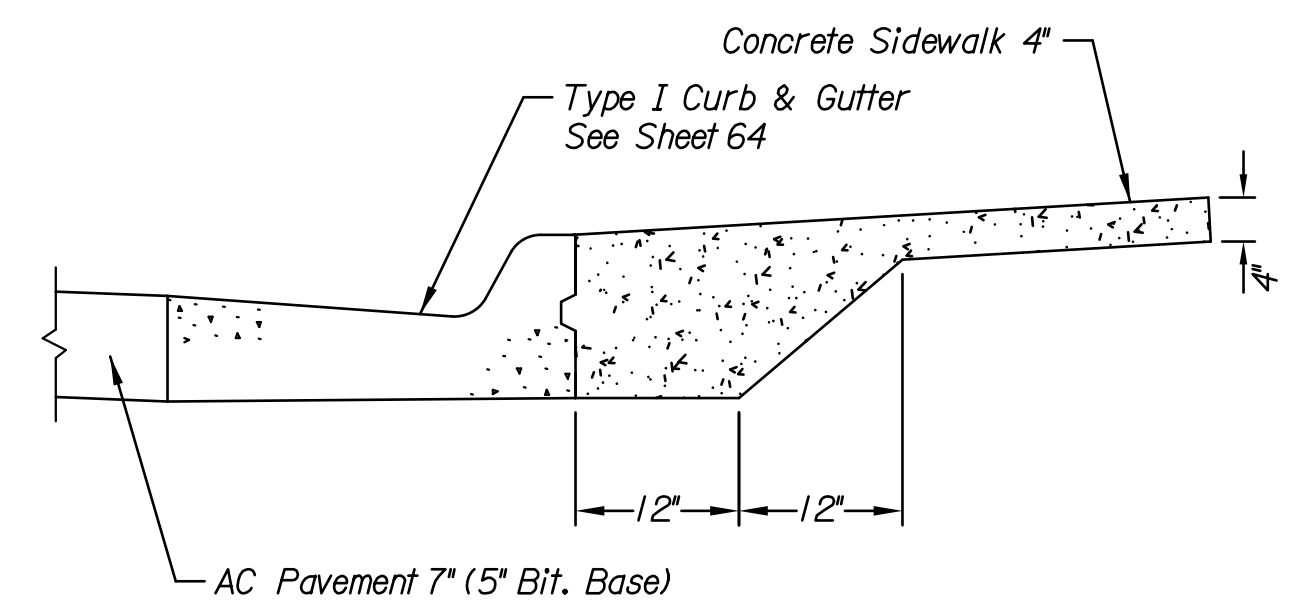
TYPICAL SECTION

Sta. 57+09.14 to Sta. 58+60.41
 Cross Slope Varies from 3.0% to Existing from Sta. 57+12.54 to Sta. 58+60.41
 *Match Existing Curb & Gutter at Sta. 58+45.08



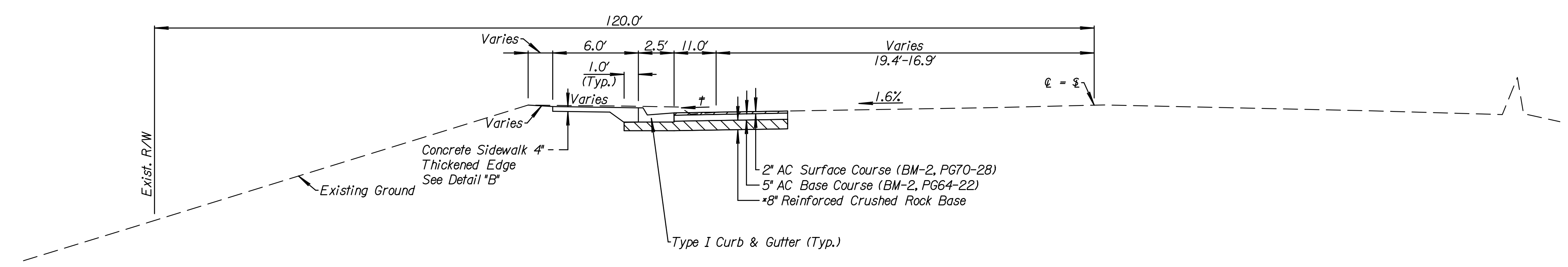
TYPICAL SECTION

Sta. 58+60.41 to Sta. 61+36.64



DETAIL "B"

CONCRETE SIDEWALK 4" - THICKENED DETAIL (SIDEWALK ON BACK OF CURB)



TYPICAL SECTION

Sta. 61+36.64 to Sta. 62+63.54
 *Cross Slope Varies to Match Existing at Bridge

Note:
 *Reinforced Crushed Rock Base Shall be Reinforced with approved geogrid. Geogrid is SUBSIDIARY to Reinforced Crushed Rock Base Bid Item

The Sections Shown are Typical. See Plans and Cross Sections for Variations

For Median Nose Detail, See Sheet 65

5/26/2017 11:03:03 AM c:\tran\systems\paw_bocall\transys\paw\taummed\0228400\C-TYP-M01-101.dgn taummed