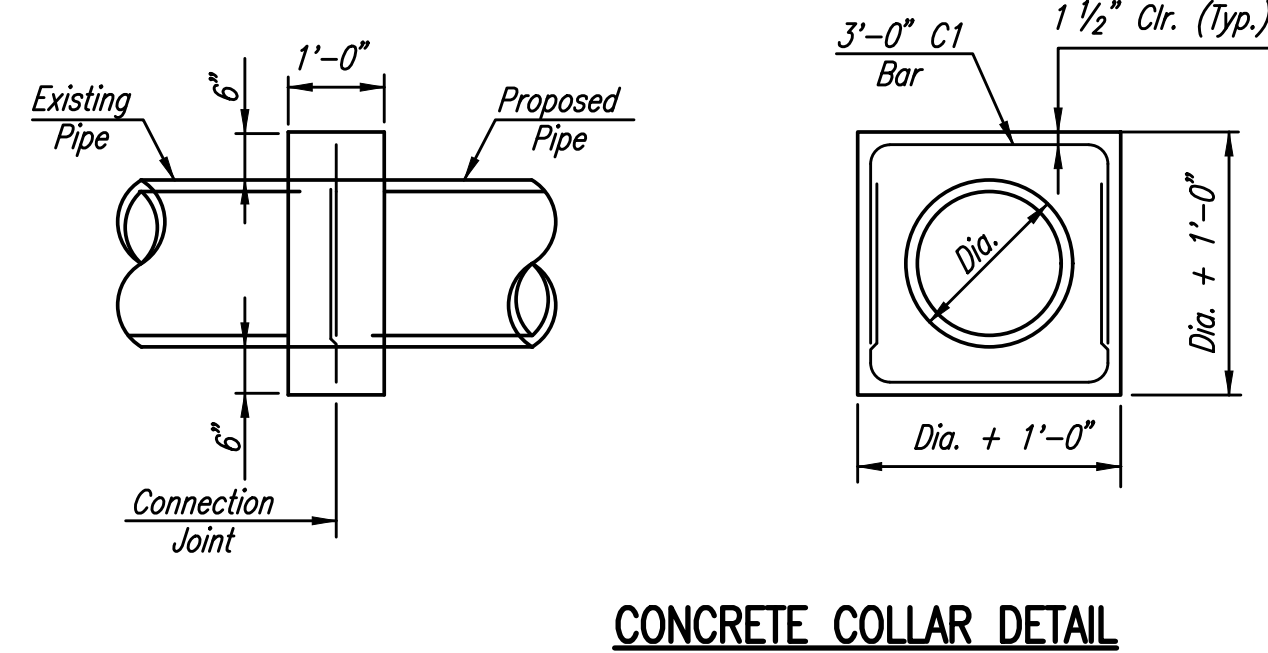
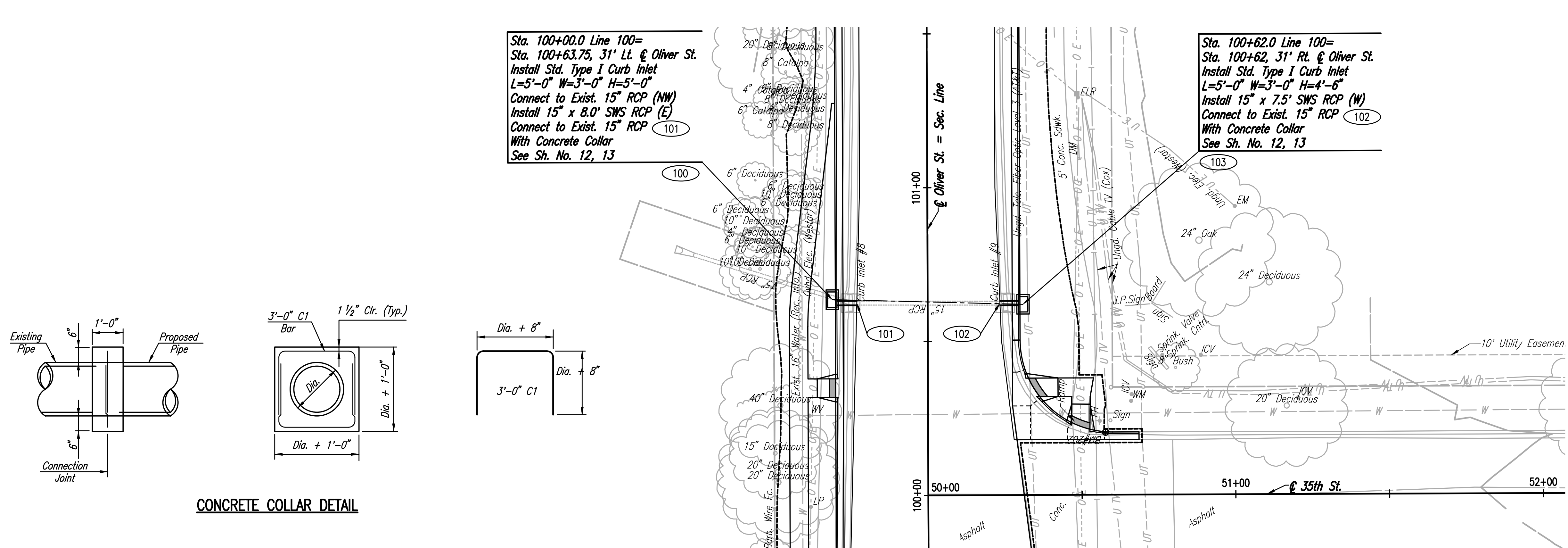
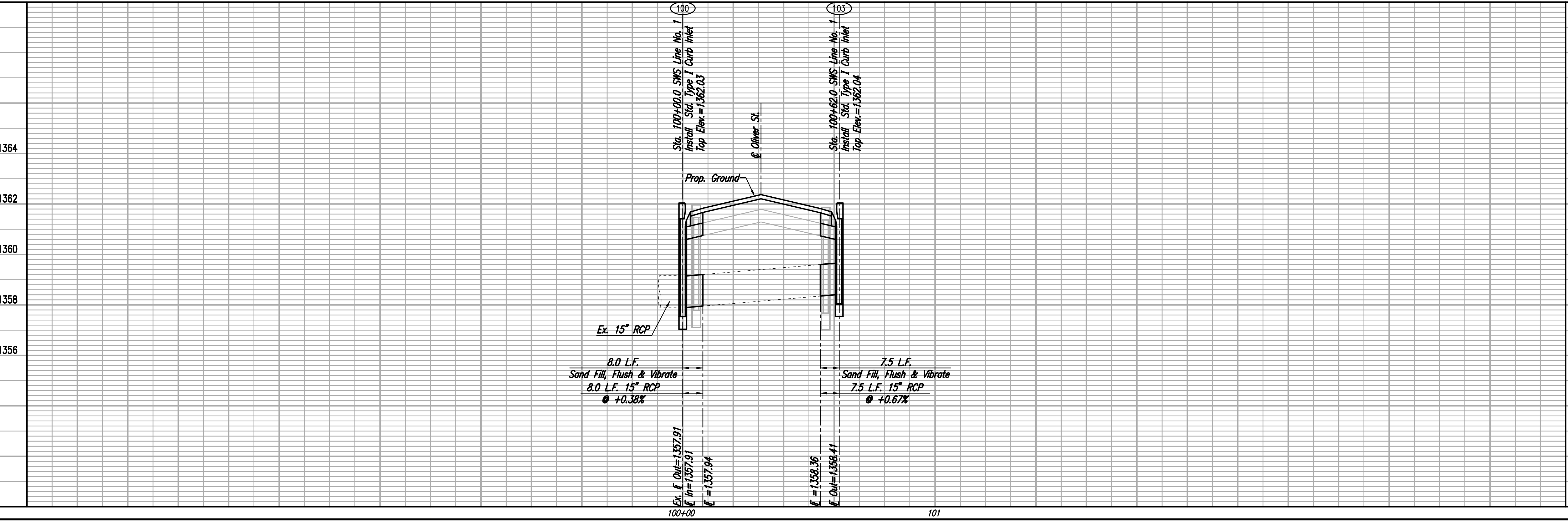


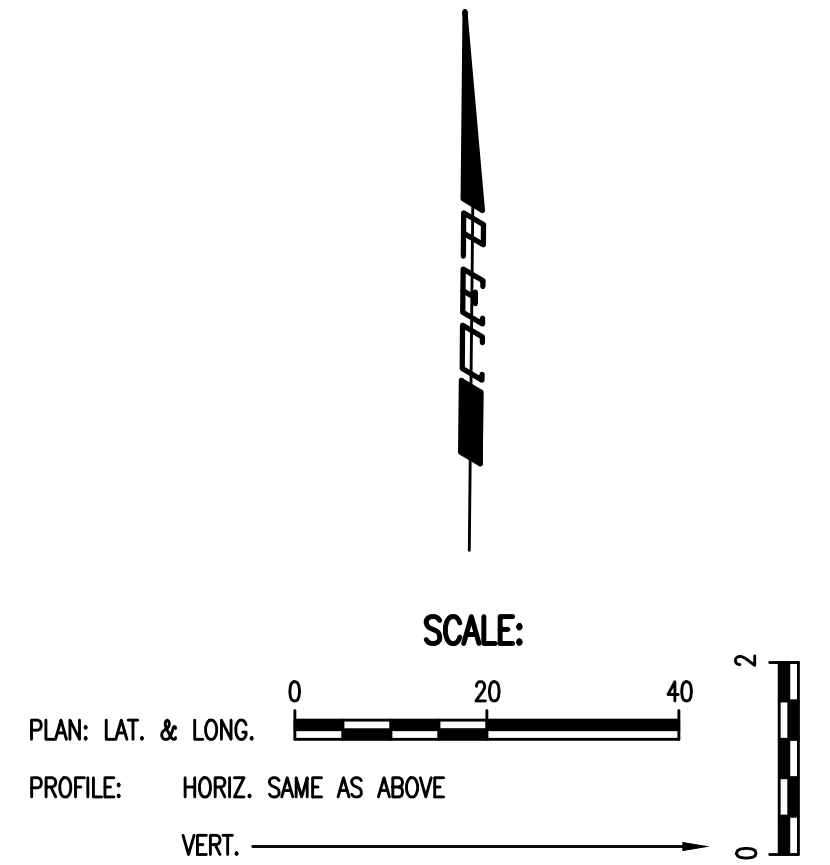
CHECKED	BY	DATE
CHECKED		

CHECKED	BY	DATE
CHECKED		

Saved 11-28-2016 11:22:14 AM by CP
 Plot Scale 1:1 04-04-2017 9:41:58 AM by CP
 U:\Wichita-Civil\2015\15954\Drawings\15954-000-06C-SWS PLAN & PROFILE



Concrete collars shall be provided at connection to existing conduits where, in the opinion of the Engineer, a collar is required for a satisfactory connection. Class A Concrete or the mix used in concrete pavement shall be used throughout. Concrete collars will not be paid for directly, but shall be considered Subsidiary to the various pipes involved.



PEC
 PROFESSIONAL ENGINEERING CONSULTANTS P.A.
 303 SOUTH TOPEKA WICHITA, KS 67202
 316-262-2691 www.pec1.com

Job No. 31-15954-000
 Date April 2017

Designed By BMM
 Drawn By CP

35TH STREET NORTH AND OLIVER STREET
 TRAFFIC SIGNALIZATION

SWS PLAN & PROFILE

GARY JANZEN, P.E. - CITY ENGINEER
 CITY OF WICHITA PROJECT NO. 472-55278

Sheet 6 of 36