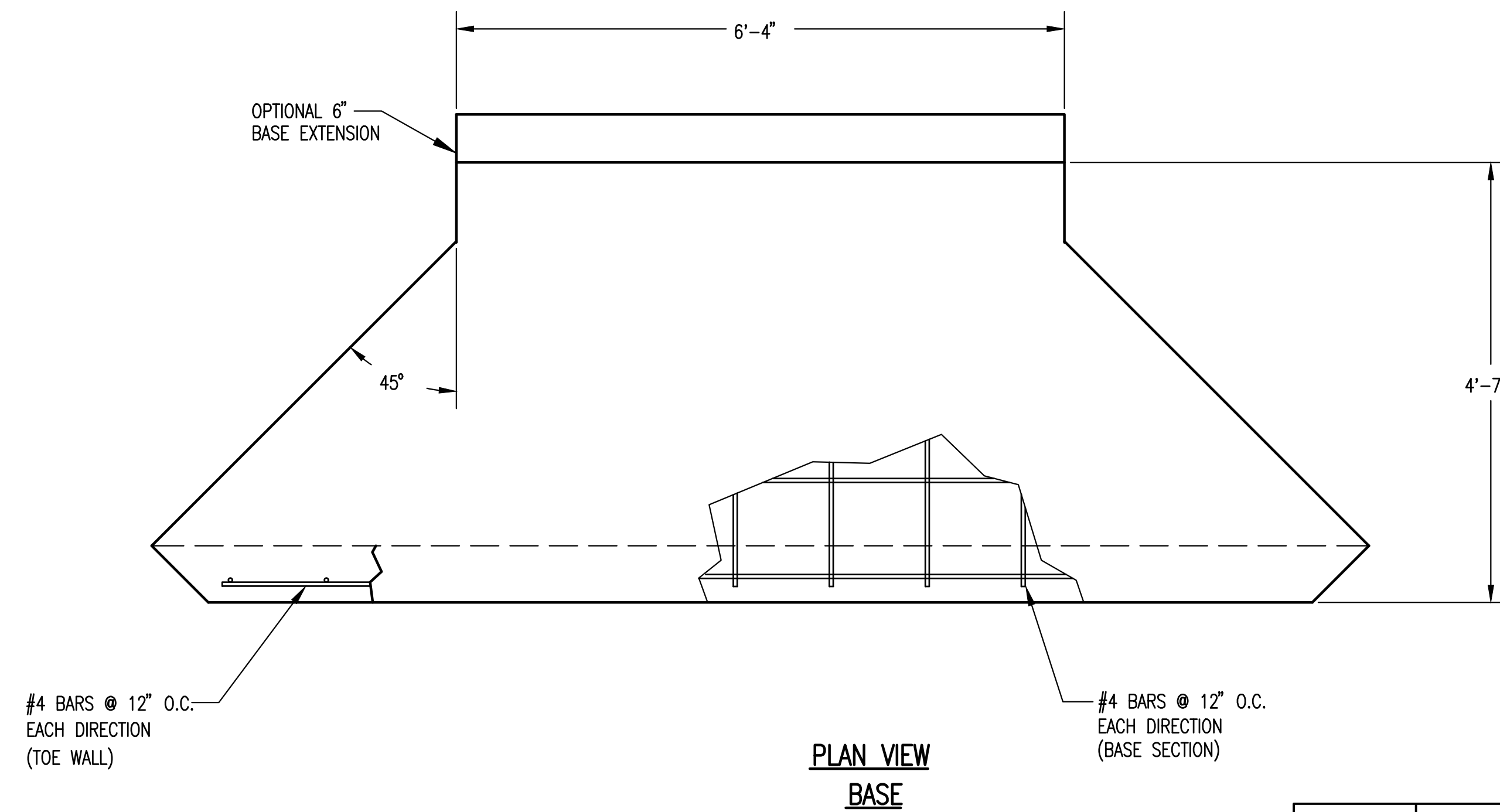
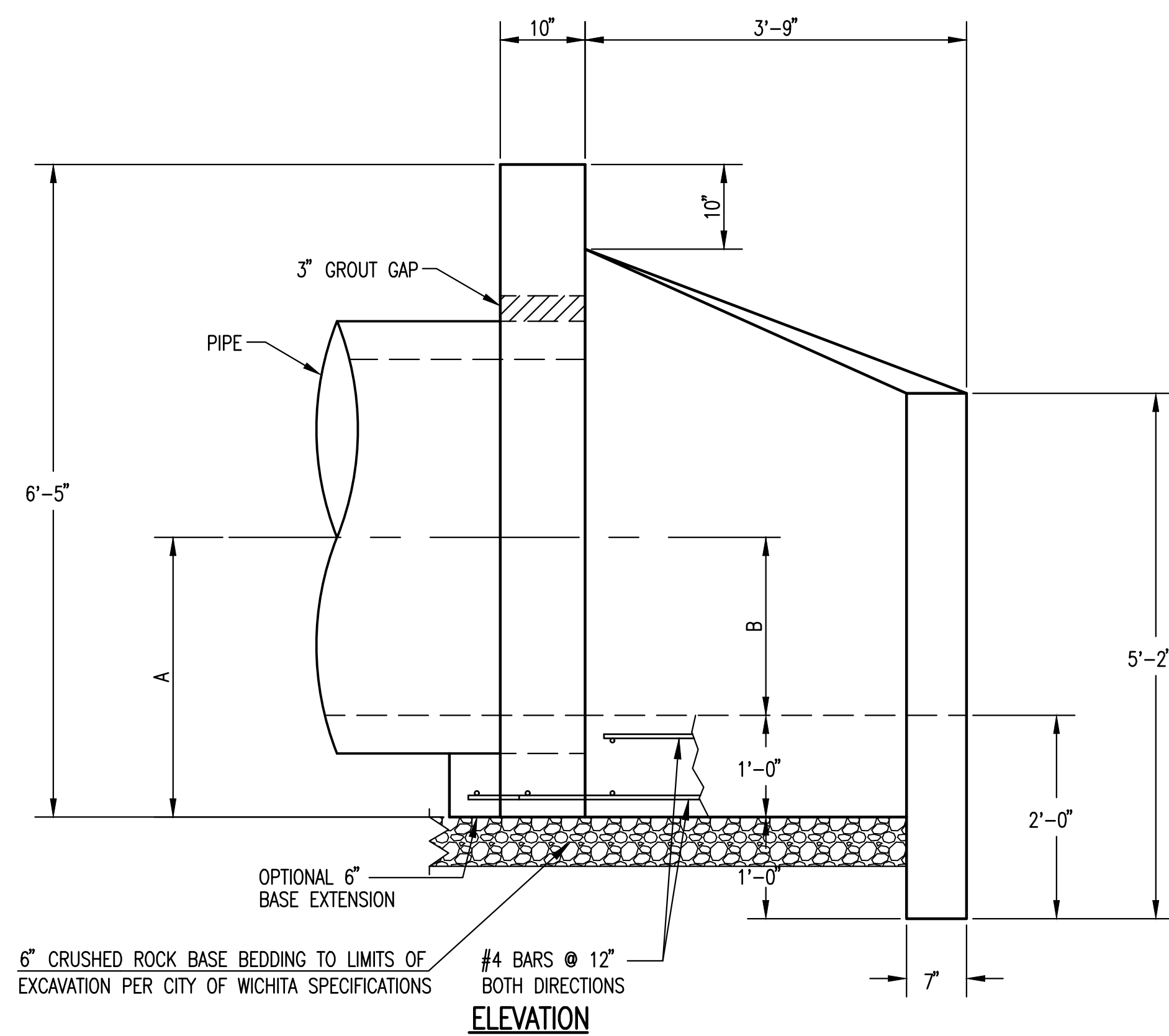


PLAN VIEW

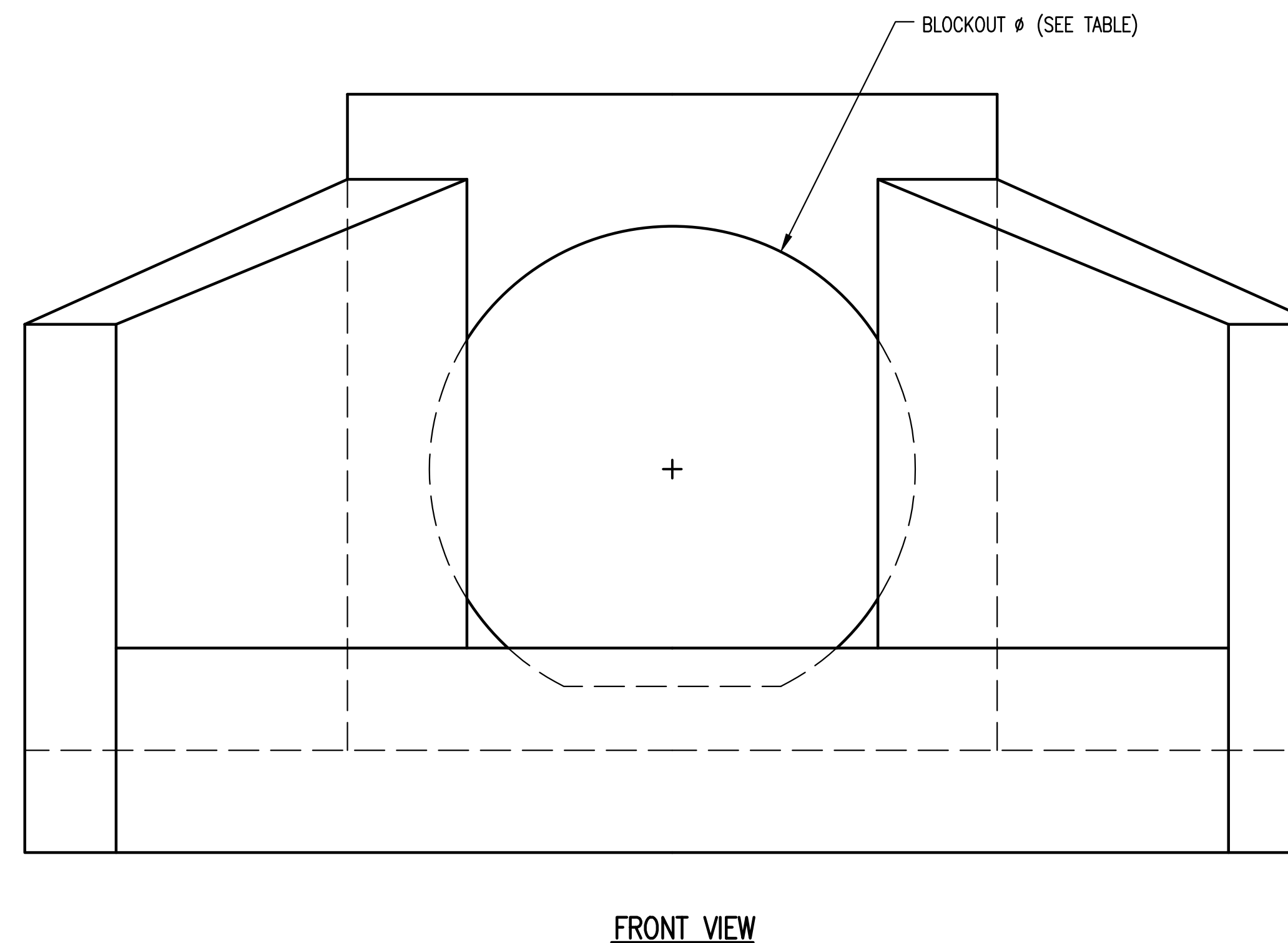


PLAN VIEW
BASE

PIPE Ø	A	B	BLOCKOUT Ø
42"	2'-9"	1'-9"	4'-9"
48"	3'-0"	2'-0"	5'-4"



ELEVATION



FRONT VIEW

HEADWALLS, AS SHOWN, WILL NOT SUPPORT FLAP GATE.

REVISED: MARCH 2015



**HEADWALL
DETAILS FOR
42" AND 48" PIPE**

CITY ENGINEER
GARY JANZEN, P.E.

PROJECT NUMBER 468-85202	OCA NUMBER 620860	DATE
CITY ENGINEER'S OFFICE CITY HALL - SEVENTH FLOOR 455 NORTH MAIN STREET WICHITA, KANSAS 67202-1620 (316) 268-4501		SHEET CA327 of 60

Sheet: 07-03-2017, 2:03:14 PM by: KURTIS DEKAT
 Proj: Sewer 111_07-17-2017, 8:28:41 AM by: KURTIS DEKAT
 U:\Wichita-Civil\2015\15554\001\Drawings\Phase 2\15554-001-C327-48 AND 42 HEADWALL DETAILS