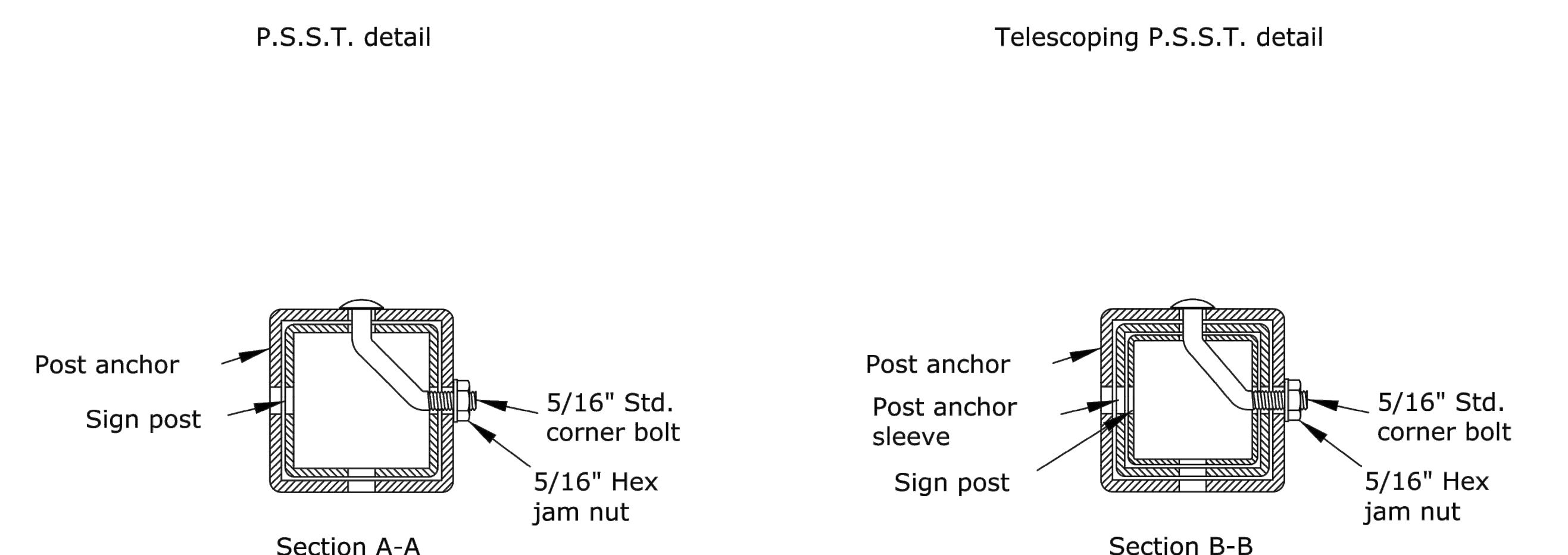
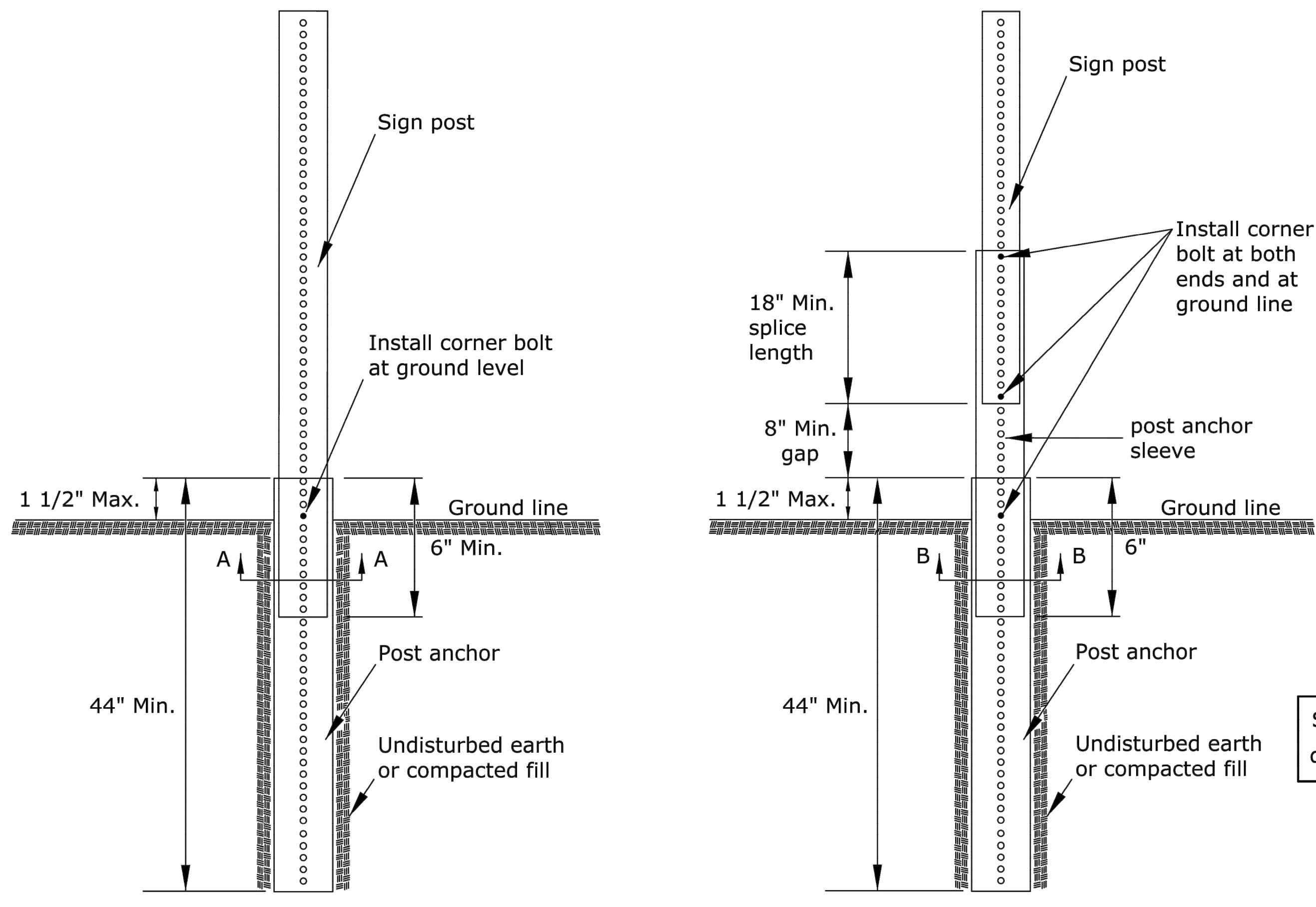
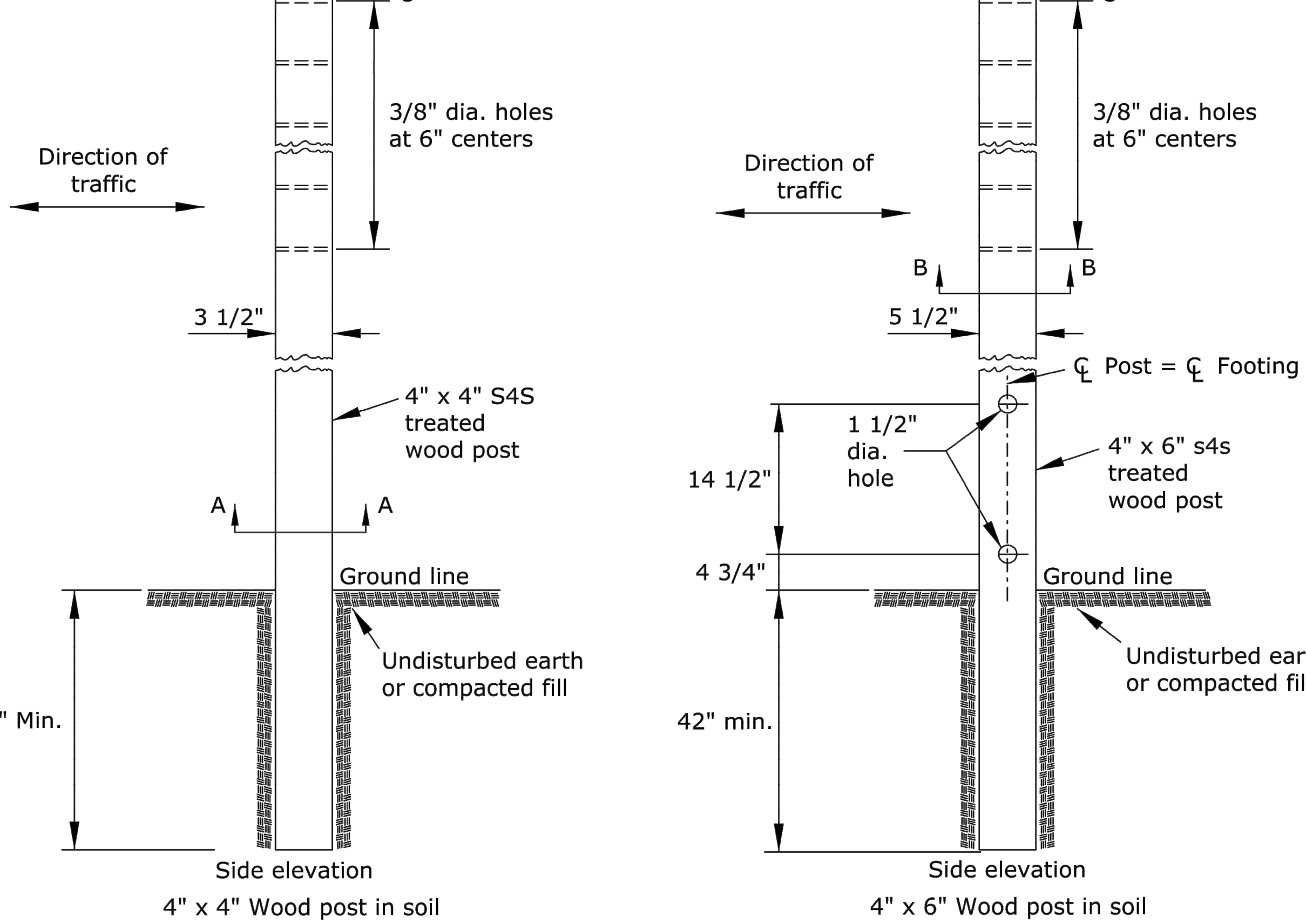


# Perforated square steel tube (P.S.S.T.) post setup

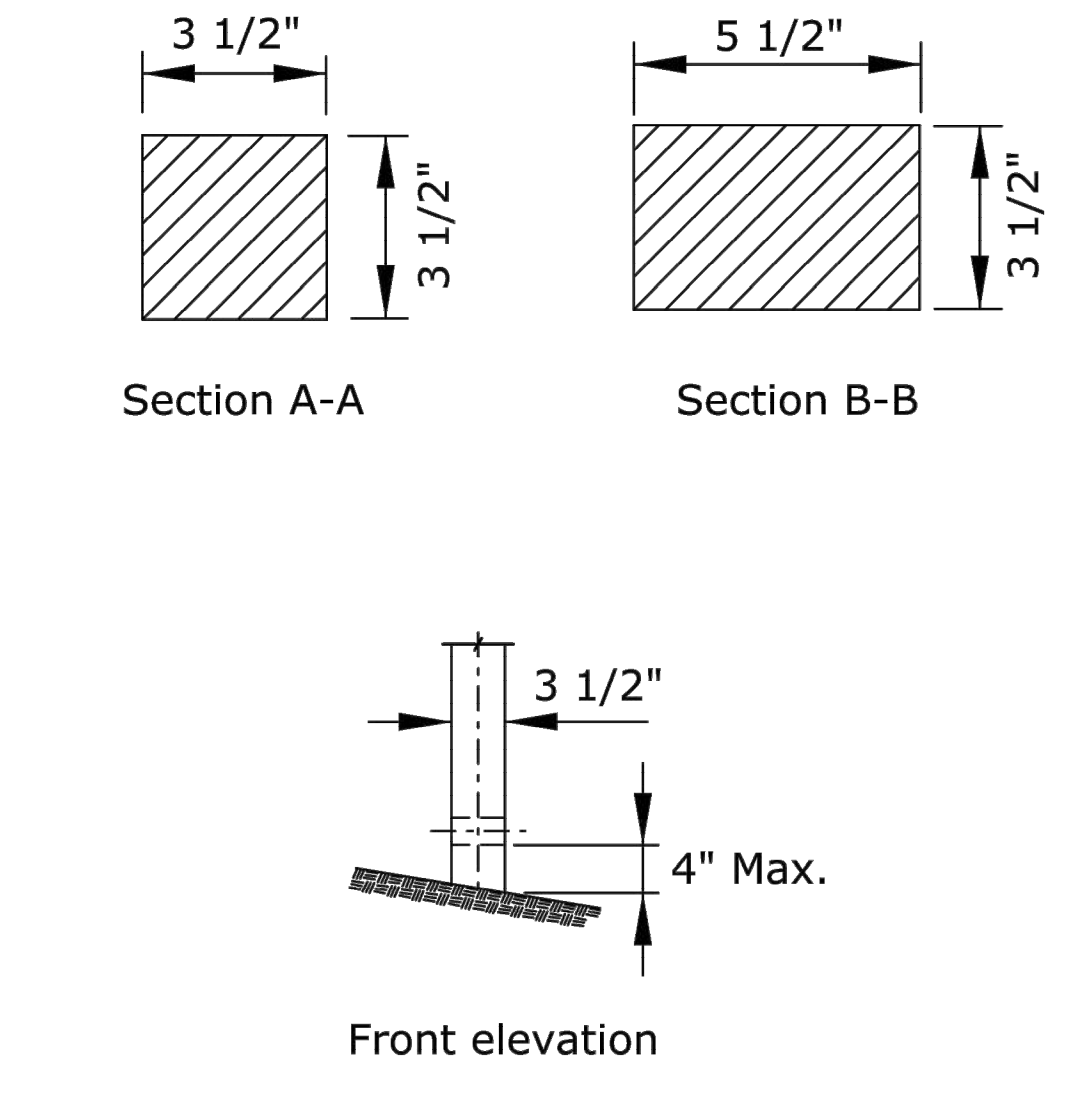


Details for 2", 2 1/4", or 2 1/2" sign posts  
Place bolts in the same corner along each sign post.

# Wood post setup

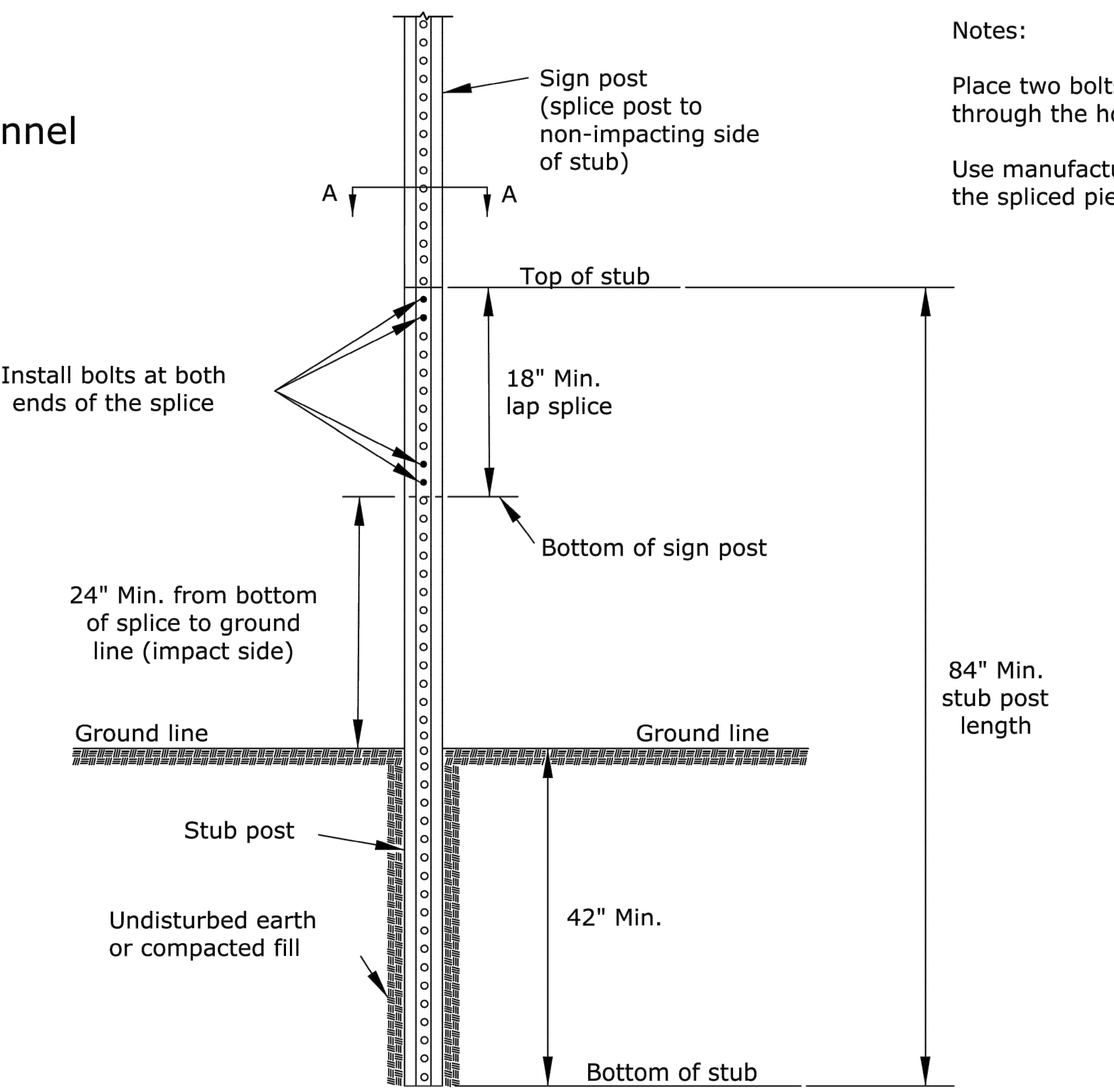


STATE	PROJECT NO.	YEAR	SHEET NO.	TOTAL SHEETS
KANSAS	472-85282	2017	76	96

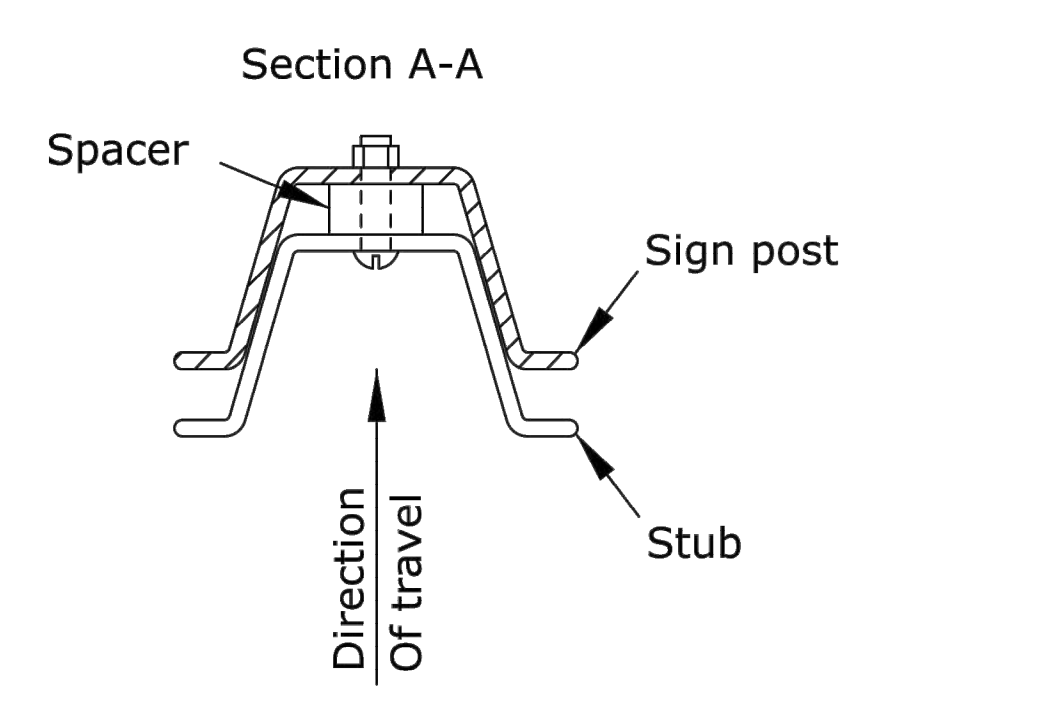


See TE710 for additional details and requirements

# 3 lb/f U-Channel setup



Notes:  
Place two bolts at both ends of the splice through the holes nearest the ends of the splice.  
Use manufacturer recommended spacers over the bolts between the spliced pieces of U-Channel.



3					
2					
1					
NO.	DATE	REVISIONS	BY	APP'D	

KANSAS DEPARTMENT OF TRANSPORTATION  
TRAFFIC CONTROL SIGN POSTS  
TE712  
DESIGNED: B.A.H./APP'D: 06/01/15  
DETAIL CK.: R.W.B./QUANTITIES: Krletina Pyle  
DESIGN CK.: DETAIL CK.: QUAN. CK.: TRACED CK.:  
KDOT Graphics Certified 06-01-2015

Solved: 07-19-2017 4:07:16 PM by CP  
Plot Scale: 1:1 07-25-2017 10:45:33 AM by CP  
U:\Vichita-Civil\2015\15956\000\Multi-Trans\Drawings\15956-000-766-Standard TE712