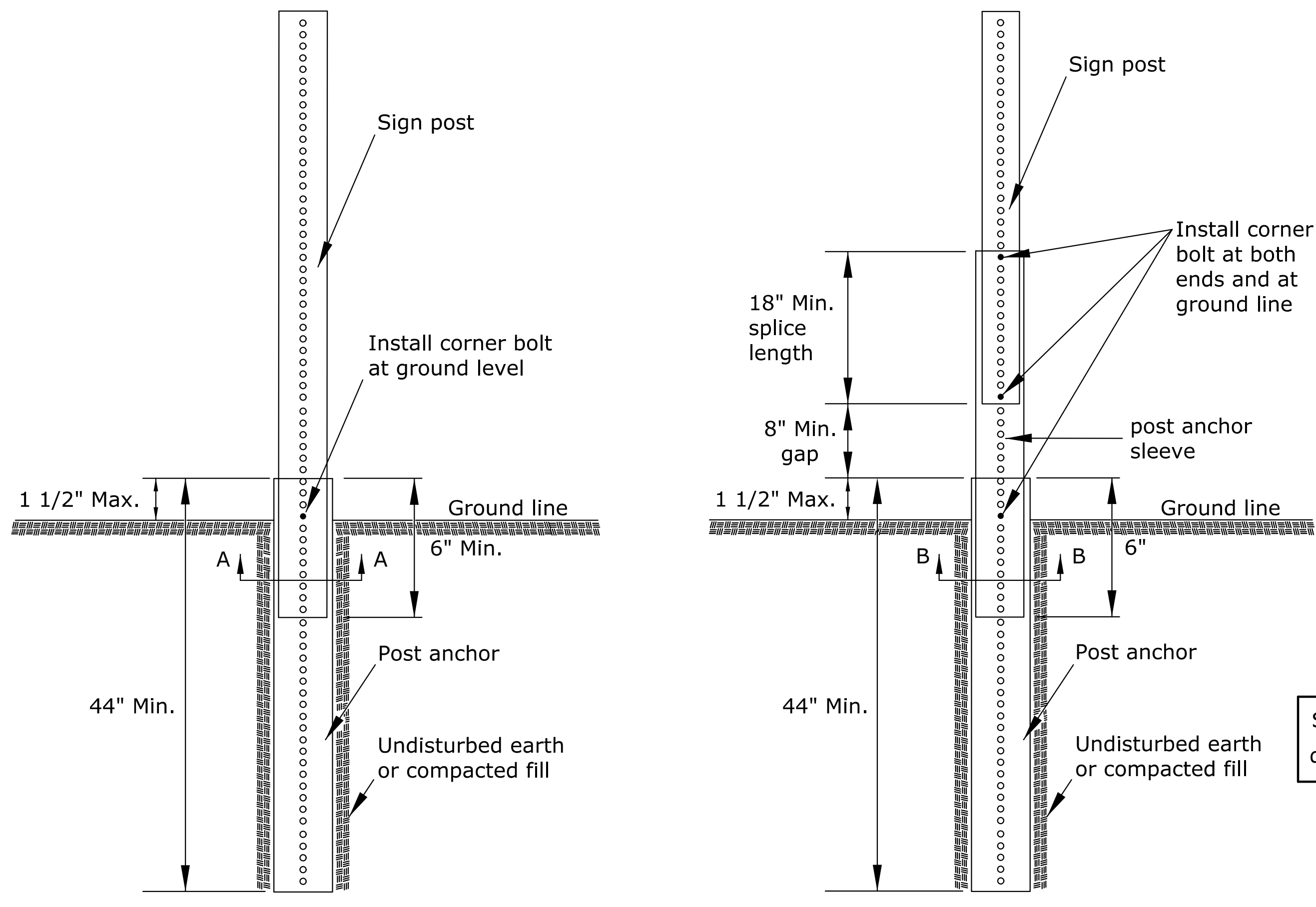
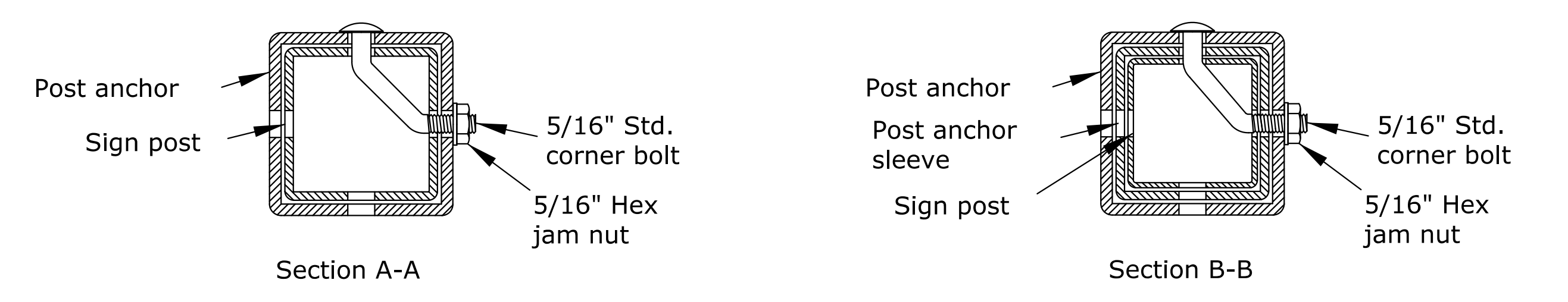


# Perforated square steel tube (P.S.S.T.) post setup

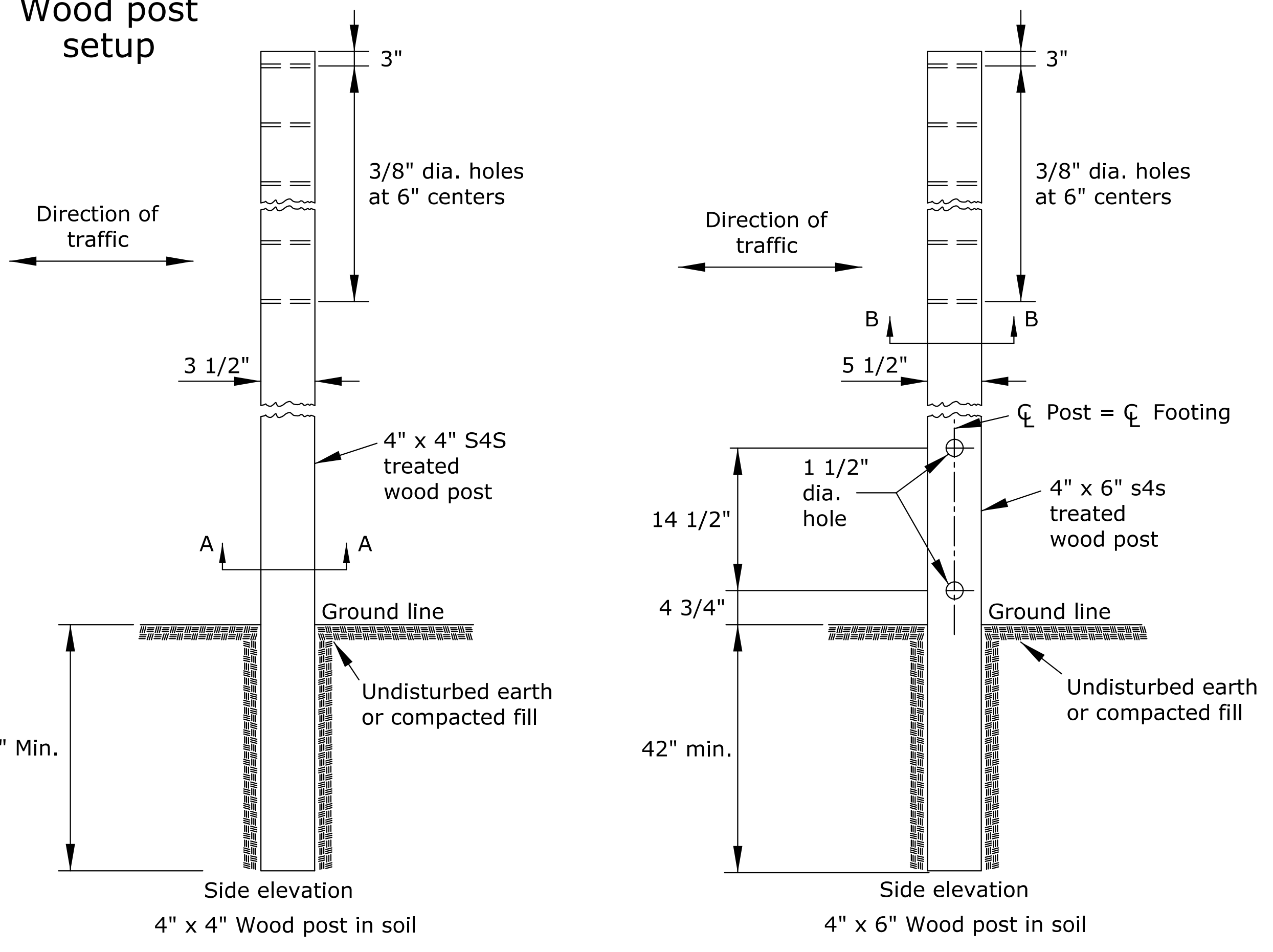


P.S.S.T. detail      Telescoping P.S.S.T. detail



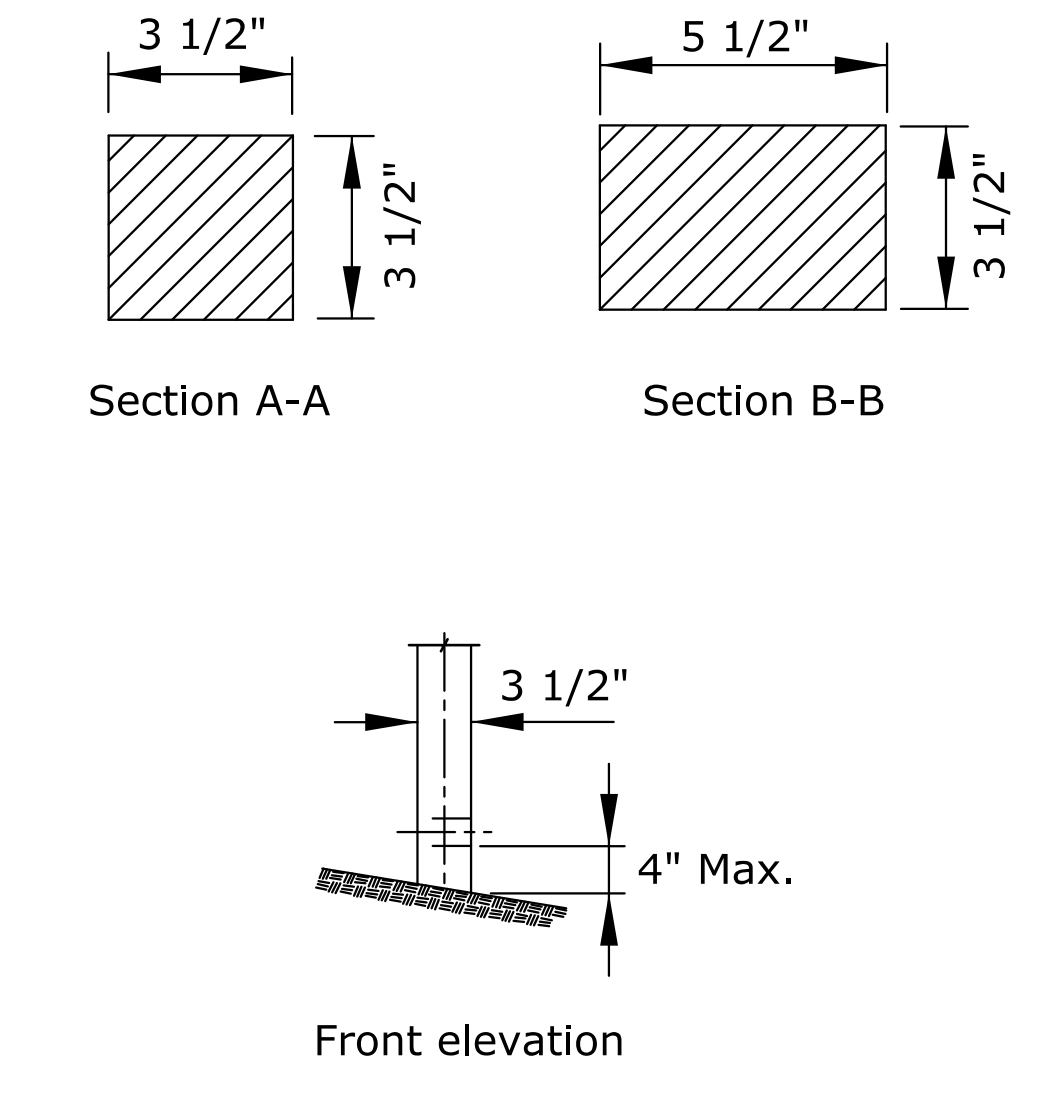
Details for 2", 2 1/4", or 2 1/2" sign posts  
Place bolts in the same corner along each sign post.

# Wood post setup



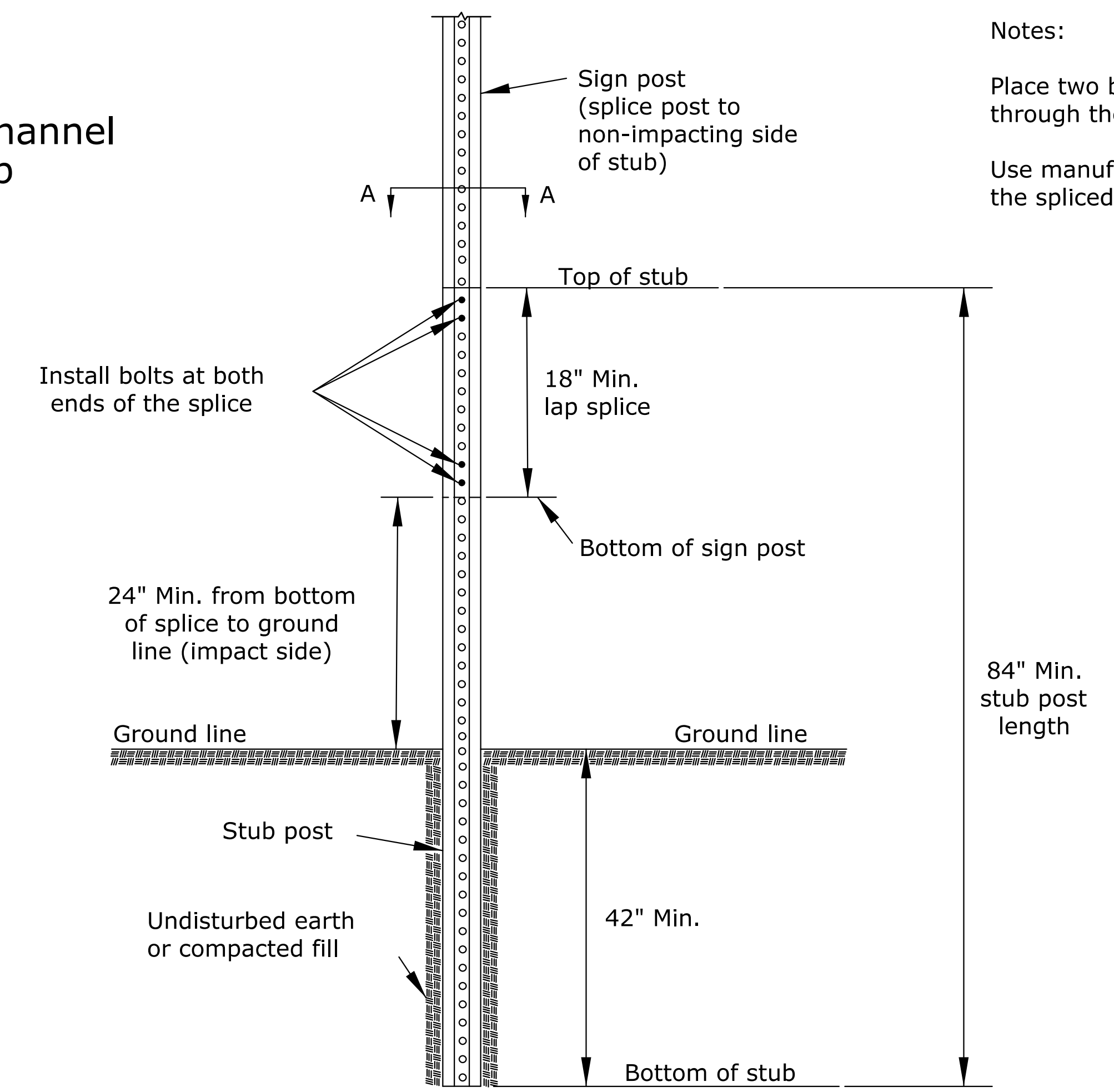
Side elevation 4" x 4" Wood post in soil      Side elevation 4" x 6" Wood post in soil

STATE	PROJECT NO.	YEAR	SHEET NO.	TOTAL SHEETS
KANSAS	87 N-0616-01	2017	88	166

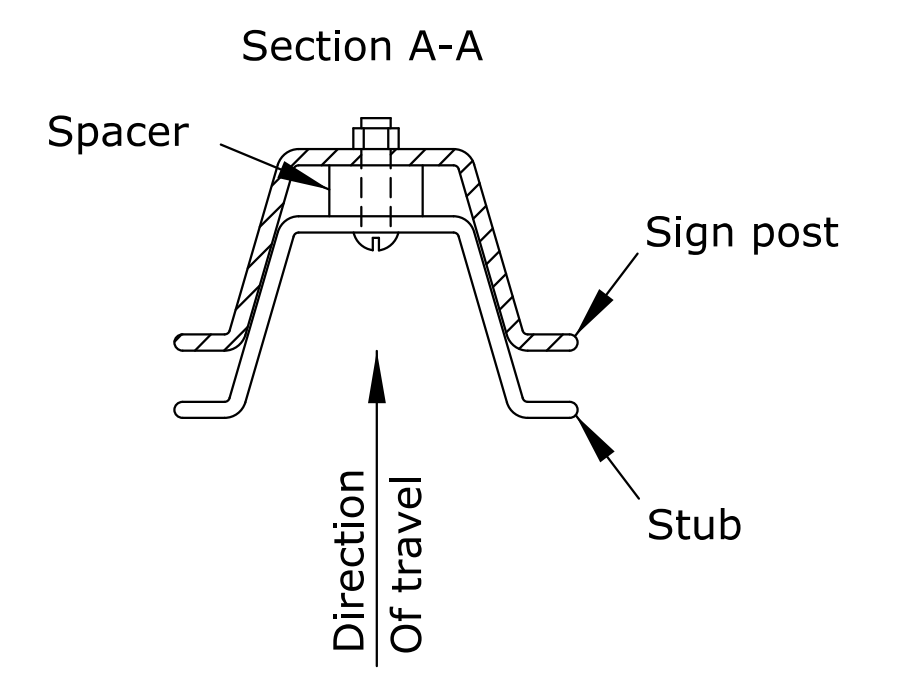


See TE710 for additional details and requirements

# 3 lb/f U-Channel setup



Notes:  
Place two bolts at both ends of the splice through the holes nearest the ends of the splice.  
Use manufacturer recommended spacers over the bolts between the spliced pieces of U-Channel.



3					
2					
1					
NO.	DATE	REVISIONS	BY	APP'D	
KANSAS DEPARTMENT OF TRANSPORTATION					
TRAFFIC CONTROL SIGN POSTS					
TE712					
DESIGNED	B.A.H.	DETAILED	R.W.B.	QUANTITIES	TRACED
DESIGN CK.		DETAIL CK.		QUAN. CK.	TRACE CK.

Plotted : 09-OCT-2017 13:24  
Drawn By : untitled  
File : te712