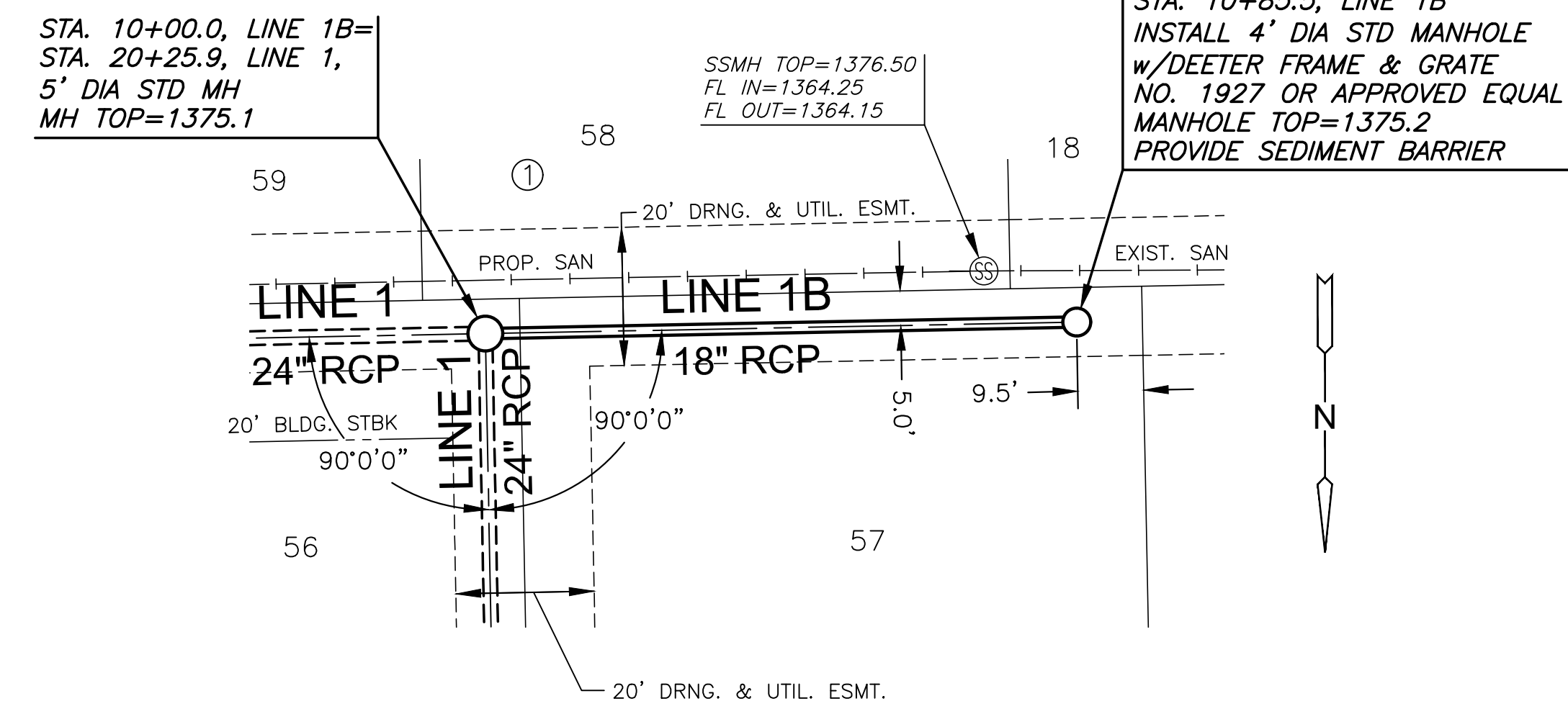


©2017  
MKEC Engineering  
All Rights Reserved  
www.mkec.com  
These drawings and their contents, including, but not limited to, all concepts, designs, & ideas are the exclusive property of MKEC Engineering (MKEC), and may not be used or reproduced in any way without the express consent of MKEC.

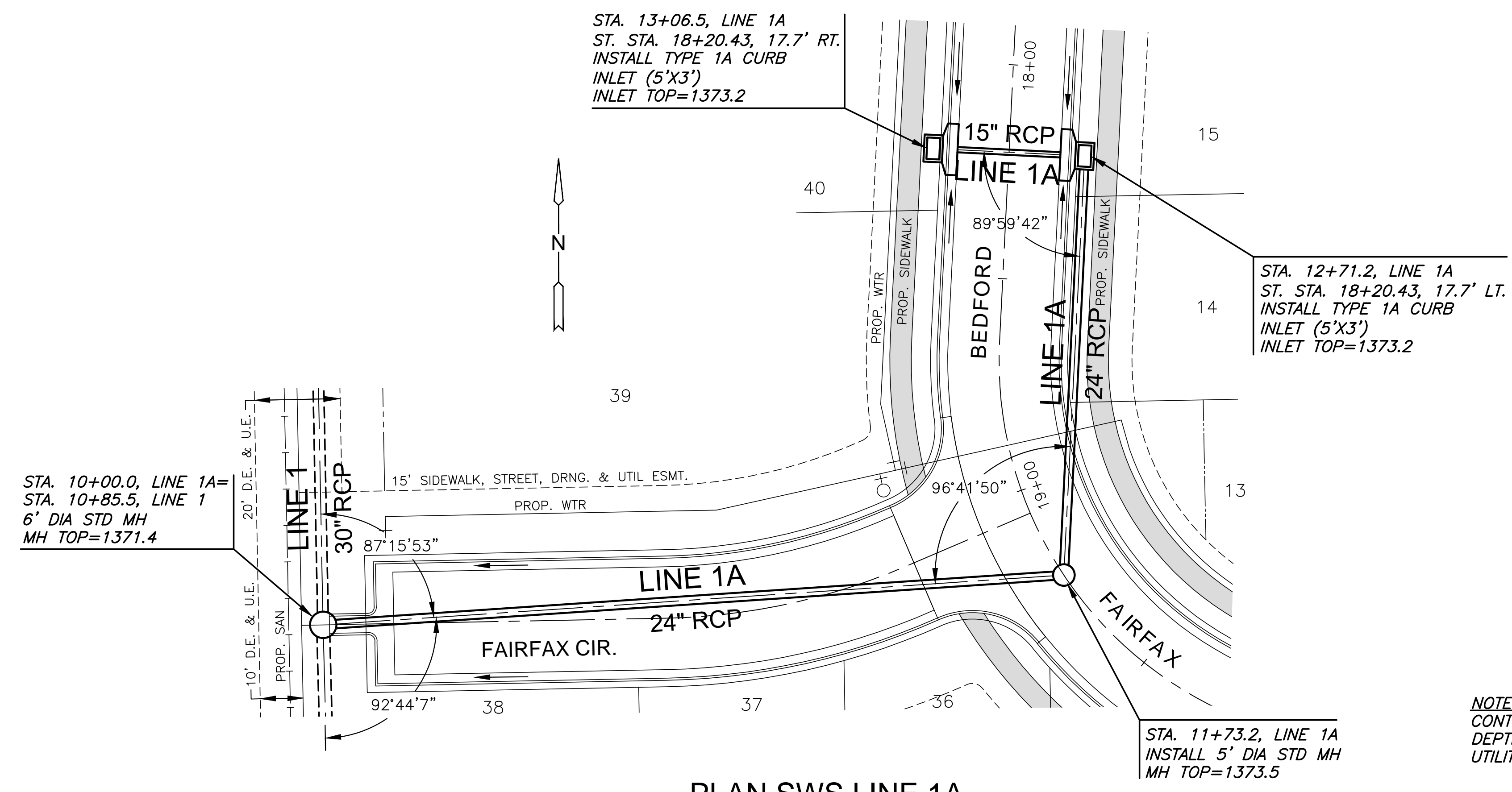
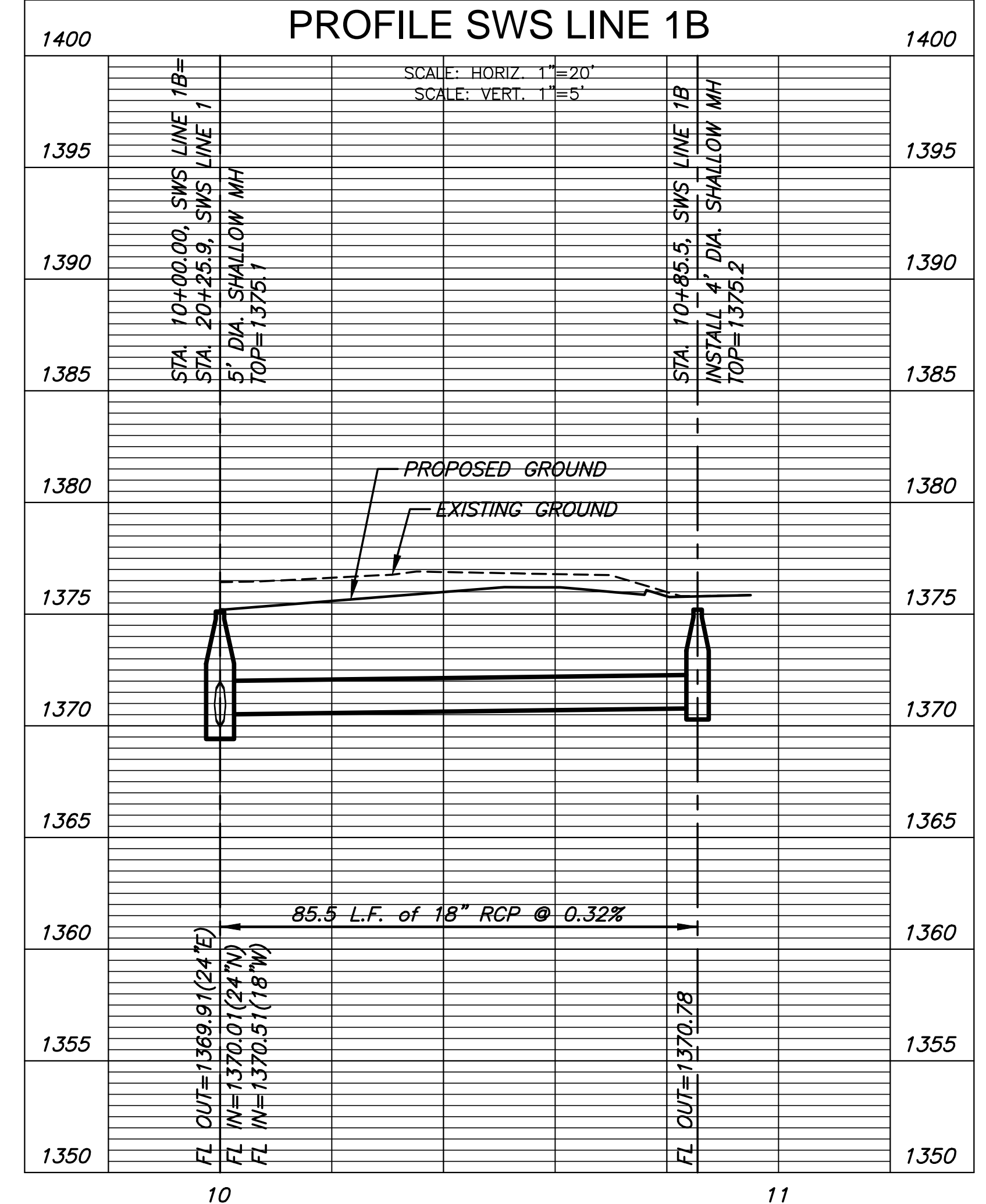
**SWS LINE 1A & 1B**

PROJECT NO.	468-85263	
DATE	DEC. 2017	
SCALE	1" = 20'	
DESIGNED	DRAWN	CHECKED
DFL	RWB	GJA

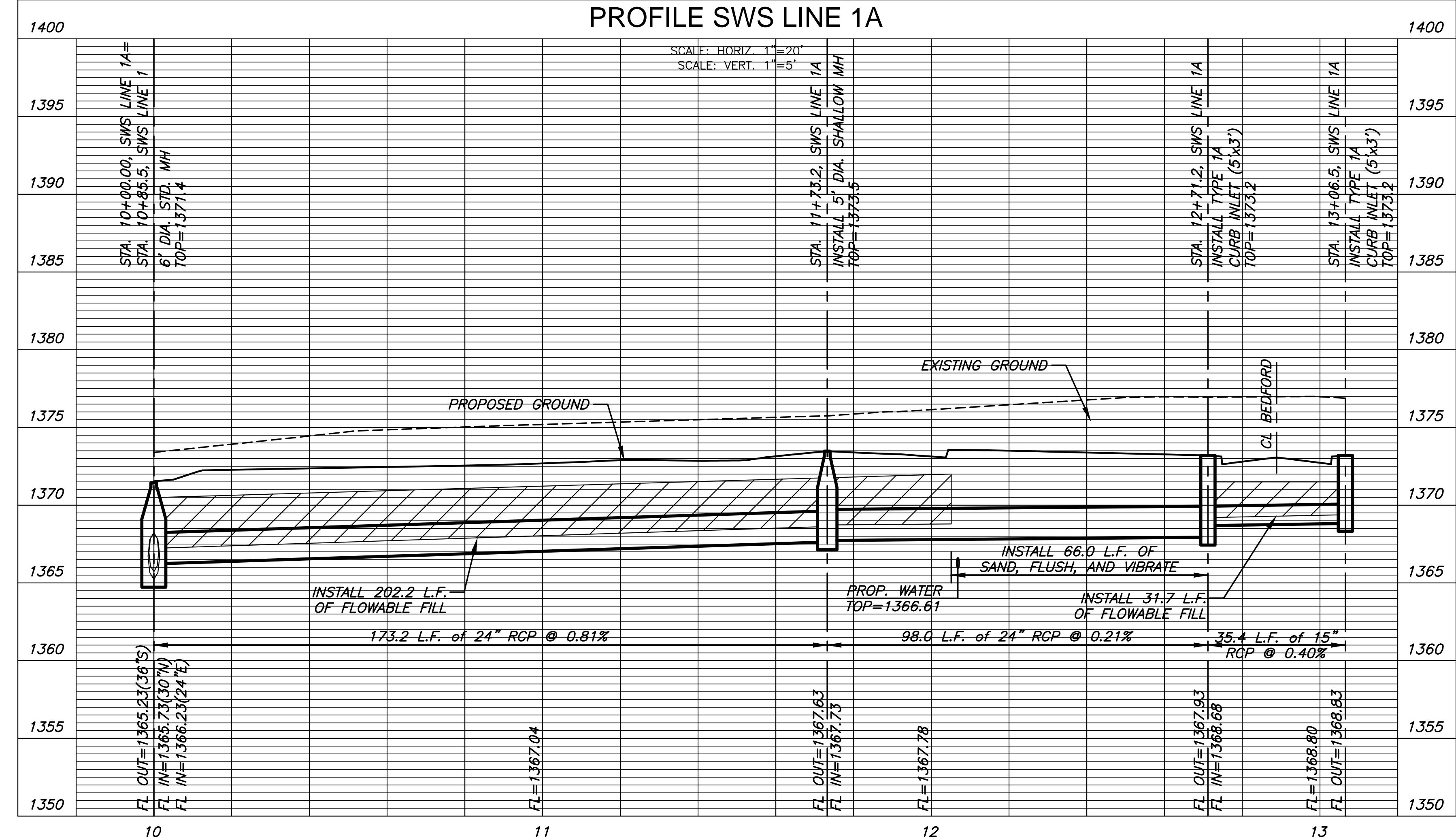
NO.	REVISION	DATE



**PLAN SWS LINE 1B**  
PROFILE SWS LINE 1B



**PLAN SWS LINE 1A**  
PROFILE SWS LINE 1A



**NOTE:**  
CONTRACTOR TO VERIFY THE DEPTH AND LOCATION OF EXISTING UTILITIES PRIOR TO CONSTRUCTION.



PLOTED: Tuesday, December 12, 2017 @ 01:45PM  
J:\PROJECTS\2017\1601010317 - PERFECTION COURTYARDS AT BROOKFIELD, 16317 CAD\SHS\05 CIVIL\SWS\16317-CP-04.DWG