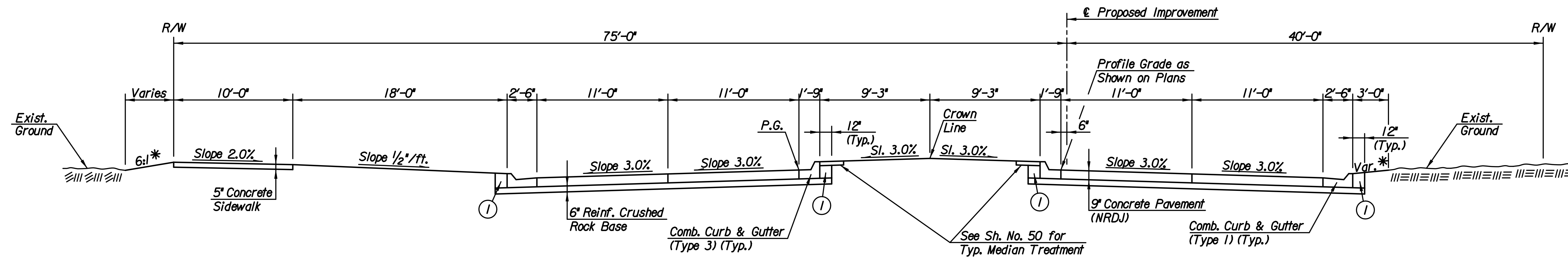
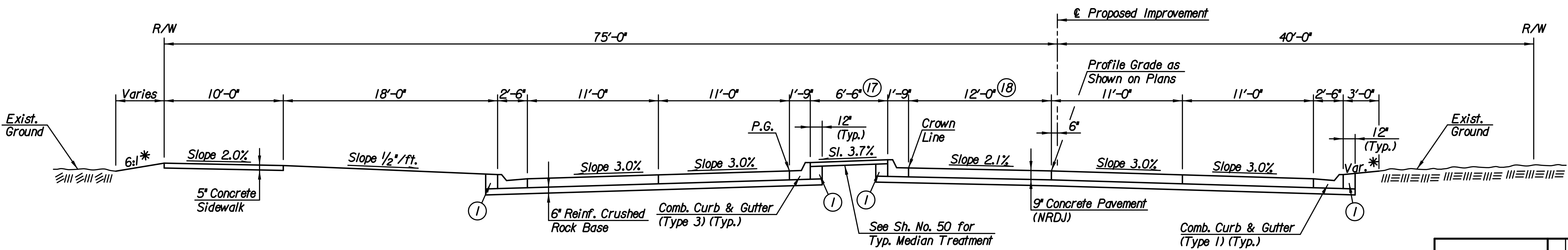


TYPICAL SECTION
 Oliver Ave.
 Sta. 129+04 to Sta. 129+84.22
 Sta. 135+91.49 to Sta. 138+23.49




TYPICAL SECTION
 Oliver Ave.
 Sta. 129+84.22 to Sta. 131+79
 Sta. 138+23.49 to Sta. 139+99.49



TYPICAL SECTION
 Oliver Ave.
 Sta. 131+79 to Sta. 134+68

- * See Cross Sections for Variations.
- ① Backfill behind curb. Quantities for this work are included in the Earthwork Summary Table.
- ⑬ Varies from 12'-0" at Sta. 129+04 to 0'-0" at Sta. 129+84.22. Varies from 12'-0" at Sta. 137+39.49 to 0'-0" at Sta. 138+23.49.
- ⑭ Varies from 12'-0" at Sta. 131+79 to 6'-6" at Sta. 132+63.
- ⑮ Varies from 0'-0" at Sta. 131+79 to 12'-0" at Sta. 132+63.

Plotted By: sheldond.bln@date: 12/18/2017 9:02:10 AM
 FILE: U:\Wichita\Civil\2015\15081\000\Trans\Road\DCN Project\Typical\15081-Typical-2.dgn

No.	Revision	By	Date
17TH STREET AND OLIVER INTERSECTION TYPICAL SECTIONS OLIVER AVE. GARY JANZEN, P.E.—CITY ENGINEER CITY OF WICHITA PROJECT NO. 472-85214			
 PROFESSIONAL ENGINEERING CONSULTANTS, P.A. 303 SOUTH TOPEKA WICHITA, KS 67202 316-262-2691 www.pec1.com			
Designed by	CKC	Job No.	15081
Drawn by	CP, SVB	Date	Dec., 2017
			Sht. 3 of 107