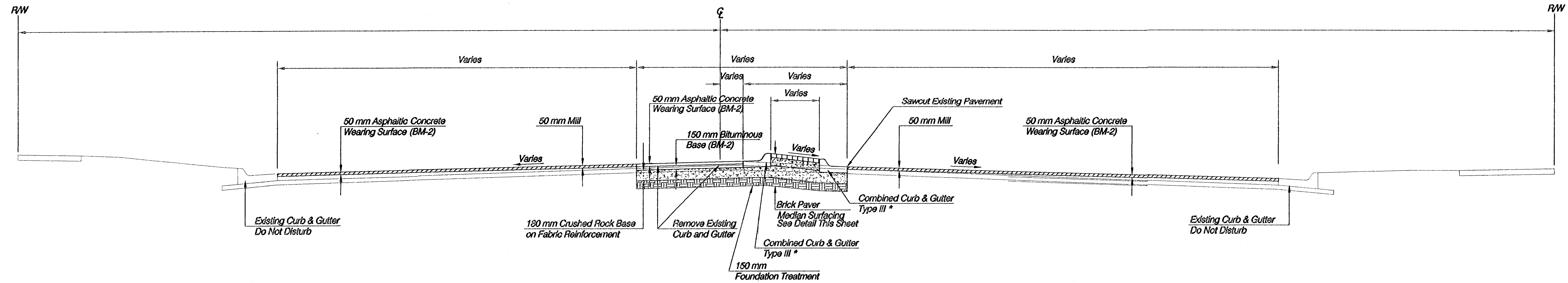
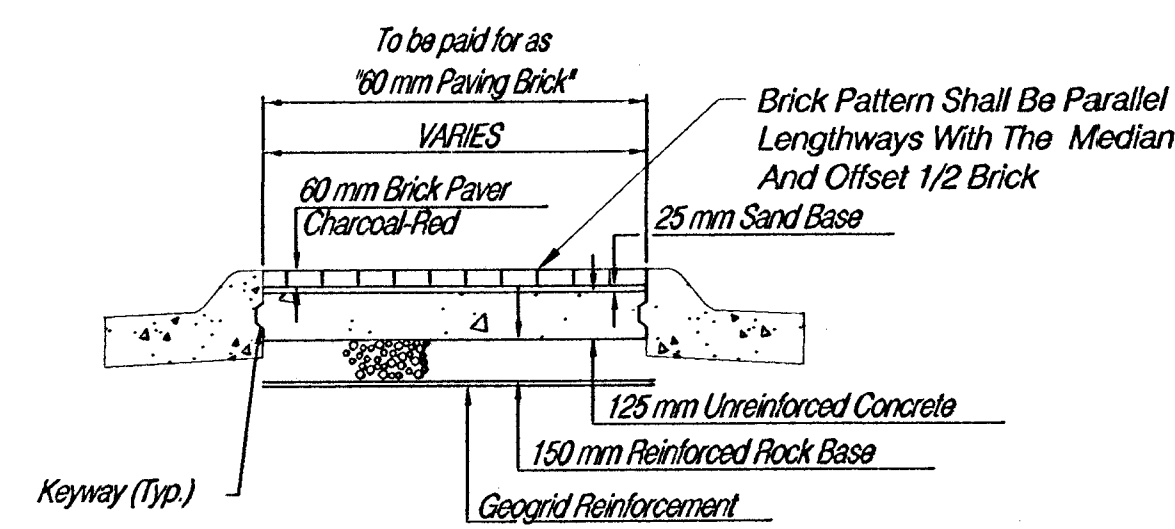


| FHWA REG NO. | Sta. TE | PROJECT NO. | YEAR | SHEET NO. | TOTAL SHEETS |
|--------------|---------|--------------|------|-----------|--------------|
| | KANSAS | 87 N-0199-01 | 2002 | 11 | 158 |

FED. AID NO. - CMQ-N019(901)

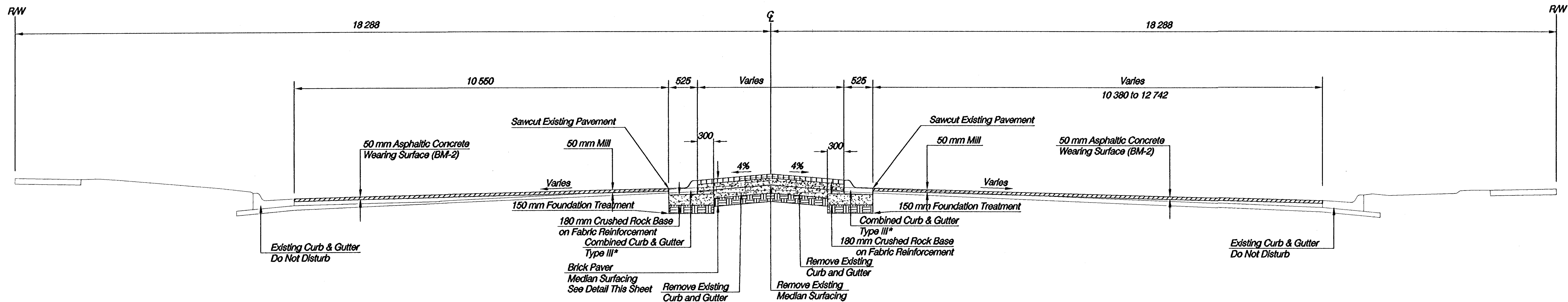


Sta. 0+793.092 to Sta. 0+804.606



BRICK PAVER SURFACE DETAIL

* Width Varies For Modified Curbs & Gutter Sections.
 See Sheet 96 For Modified Curb & Gutter Locations.
 See Sheet 96 For Modified Curb & Gutter Detail.
 A 150 mm P.C.C. Base Shall Be Used In Place Of 150 mm
 BM-2 Base Course Where Proposed Paving Is Less
 Than 1.5 m In Width. (Typ)
 Sod All Disturbed Areas.



Sta. 0+815.853 to Sta. 0+835.155

ROCK ROAD
TYPICAL SECTIONS

HWS Consulting Group Inc.

Omaha Office
10844 Old Mill Rd., Ste 1
Omaha, NE 68154
Phone: (402) 333-5792
Fax: (402) 333-2248

| | |
|------------------|-------------------------------------|
| Designed By: EWE | Checked By: RJK |
| Drawn By: HS | Date: 03-25-2002 Job No. 55-70-2003 |