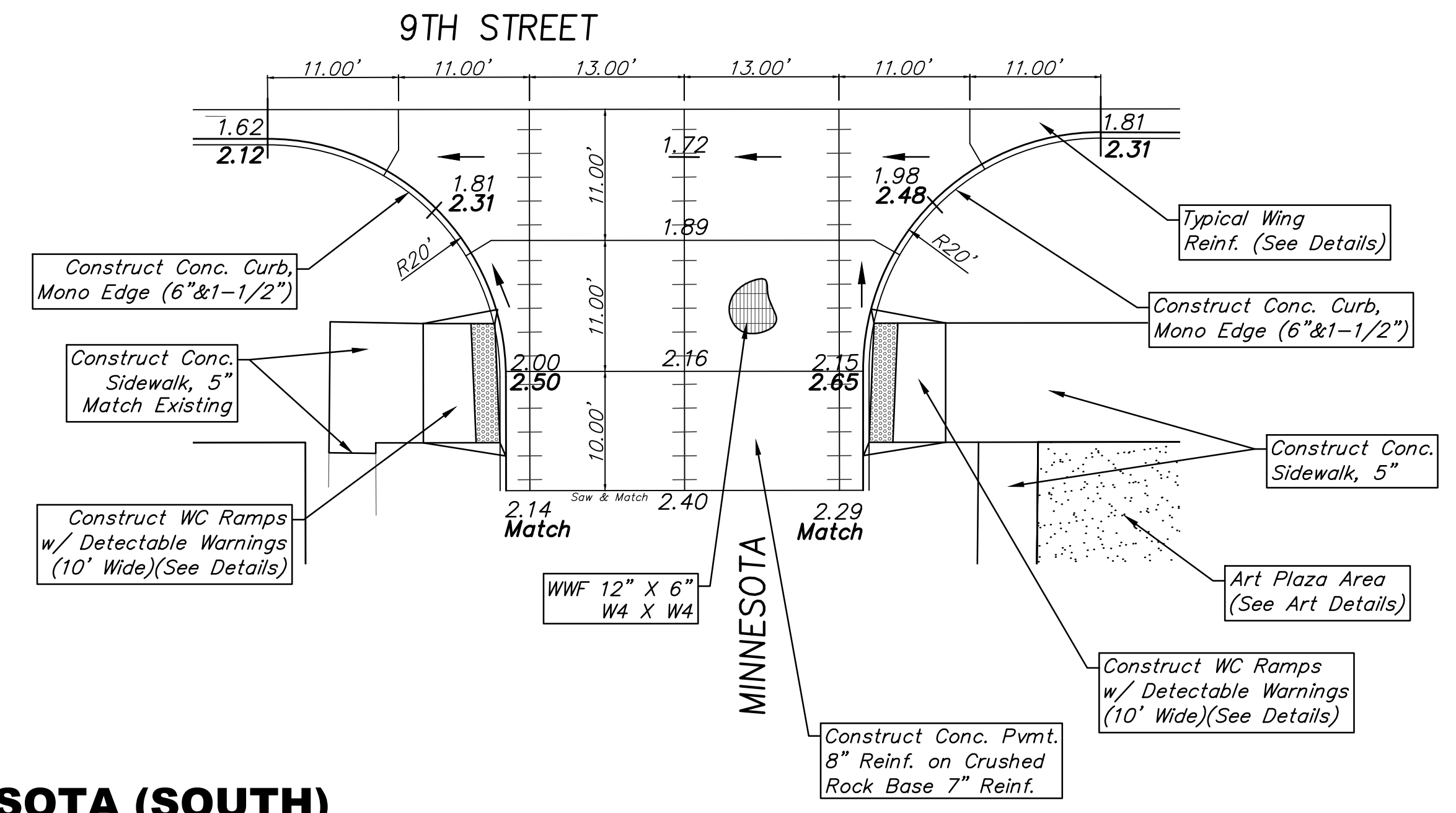
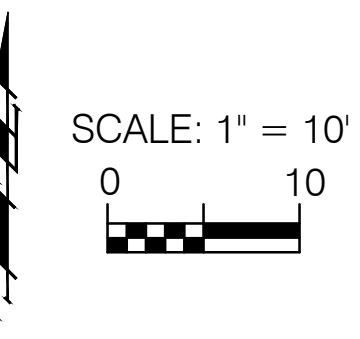


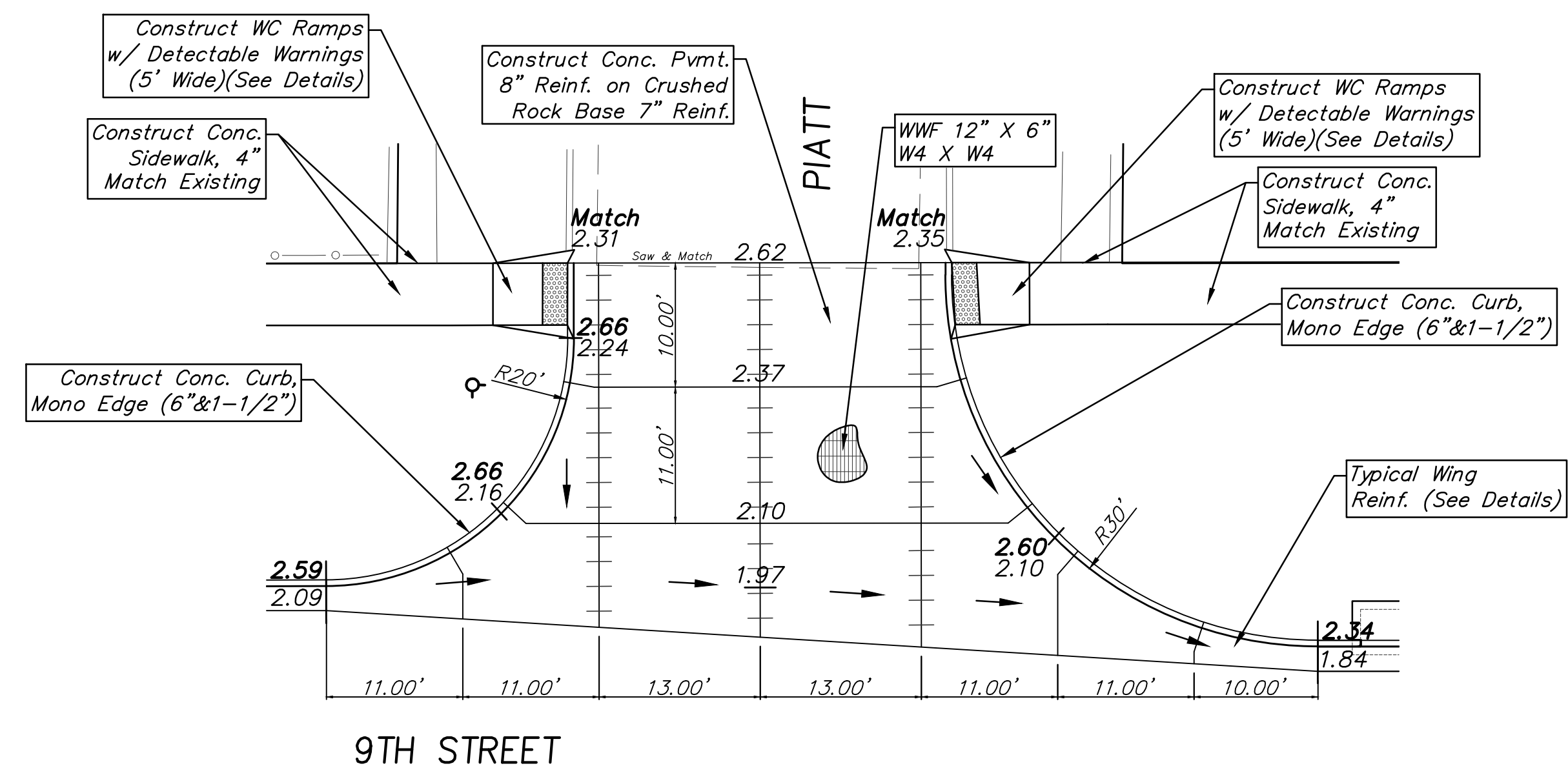
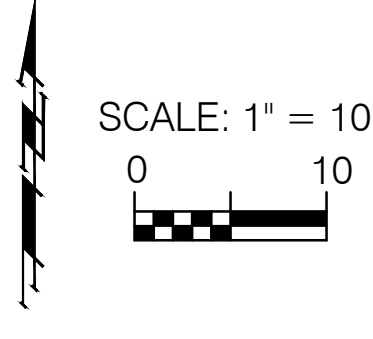
MINNESOTA (NORTH)
1"=10'

NOTE: Elevations are Based on 13____ (Nav 88)



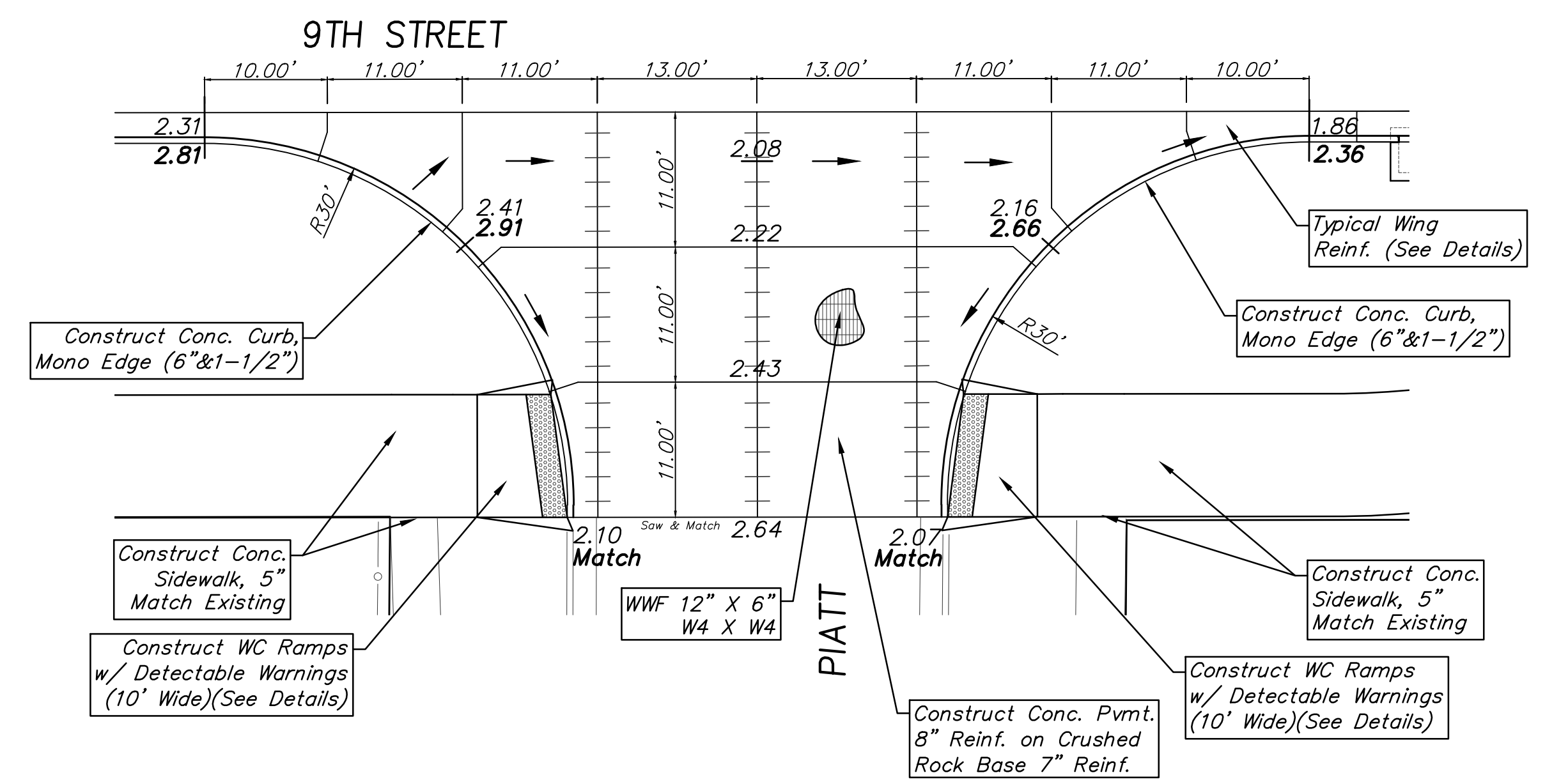
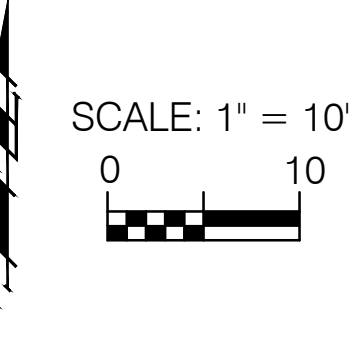
MINNESOTA (SOUTH)
1"=10'

NOTE: Elevations are Based on 13____ (Nav 88)



PIATT (NORTH)
1"=10'

NOTE: Elevations are Based on 13____ (Nav 88)



PIATT (SOUTH)
1"=10'

NOTE: Elevations are Based on 13____ (Nav 88)