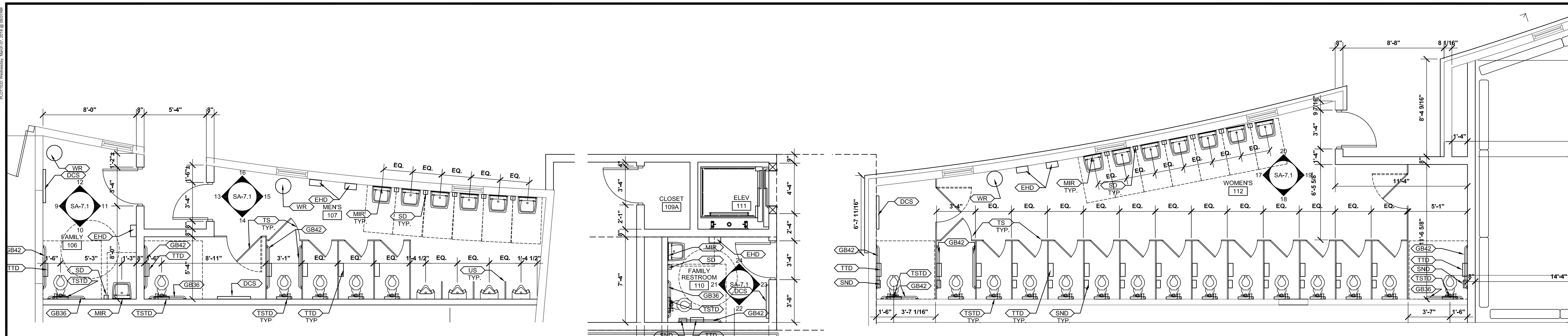


ENLARGED PLANS & ADA ACCESSIBILITY

PROJECT NO.	1701010567
DATE	03/07/18
SCALE	AS NOTED
DESIGNED	SLC
DRAWN	SLC
CHECKED	MFC

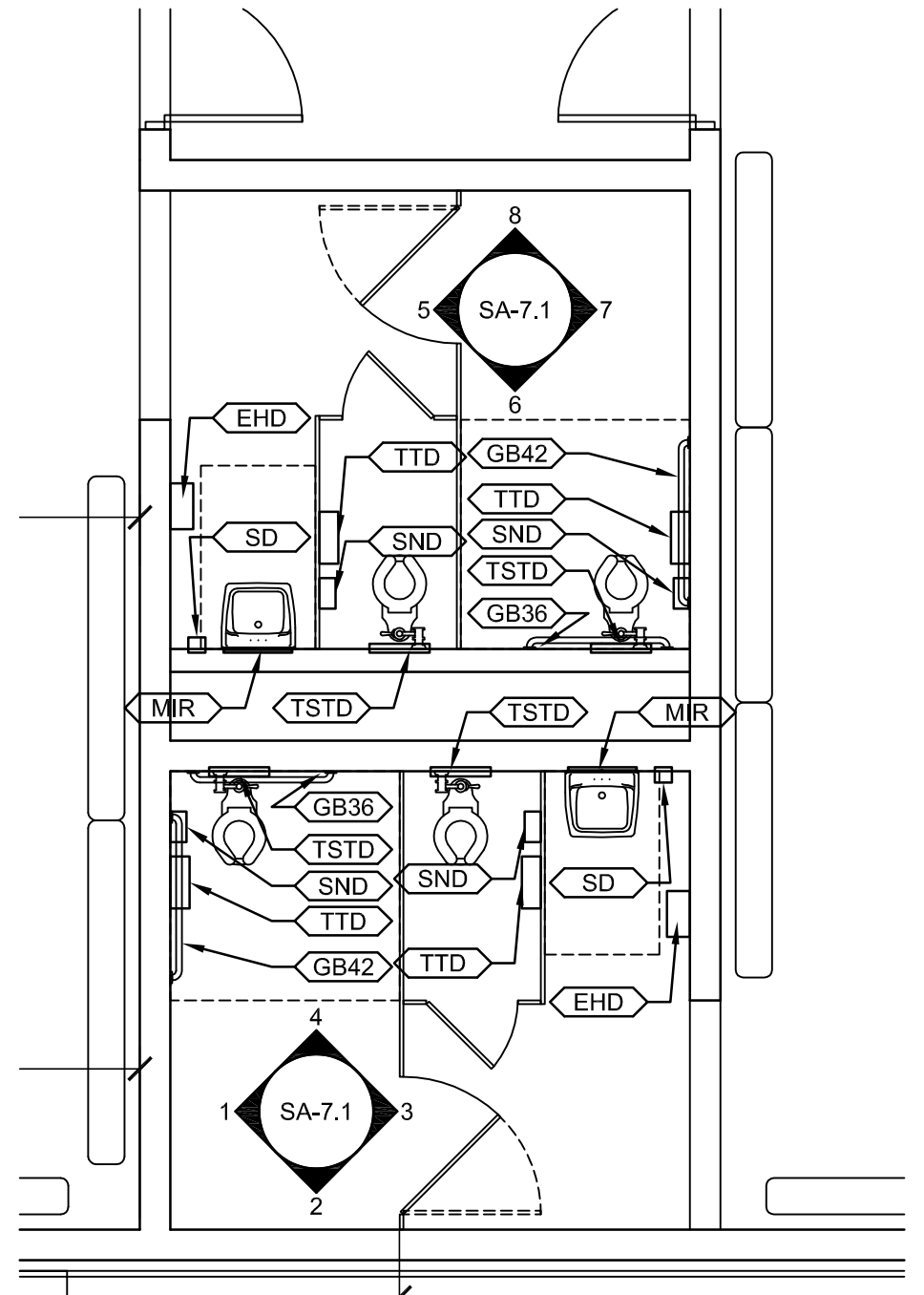
ISSUED FOR CONSTRUCTION	03-07-18
NO.	REVISION
SHEET NO.	
SA7.1	



A ENLARGED RESTROOM FLOOR PLAN
1/4"=1'-0"

B ENLARGED RESTROOM FLOOR PLAN
1/4"=1'-0"

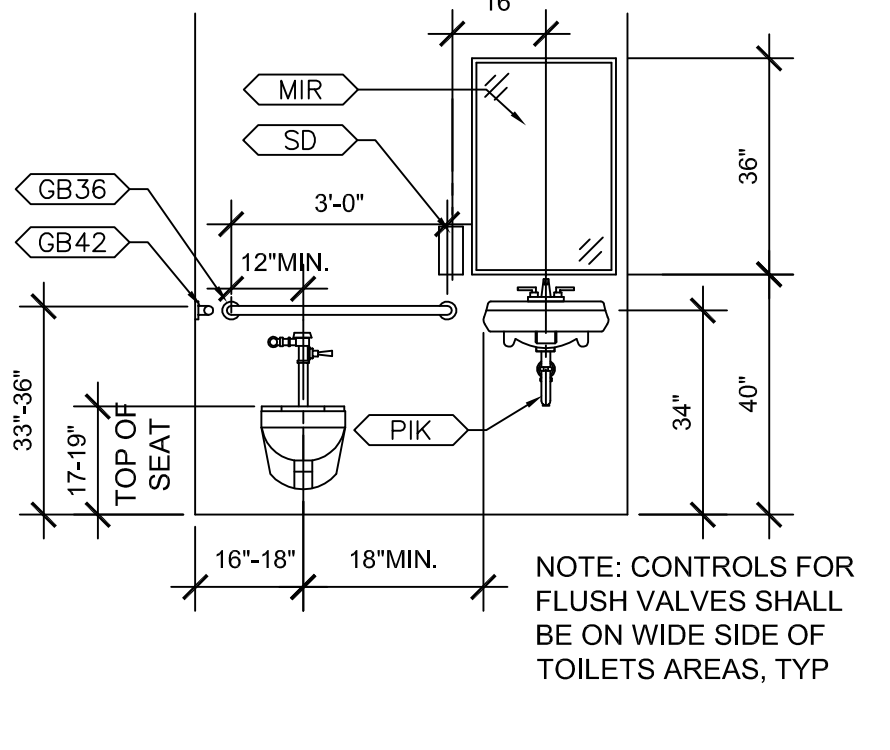
C ENLARGED RESTROOM FLOOR PLAN
1/4"=1'-0"



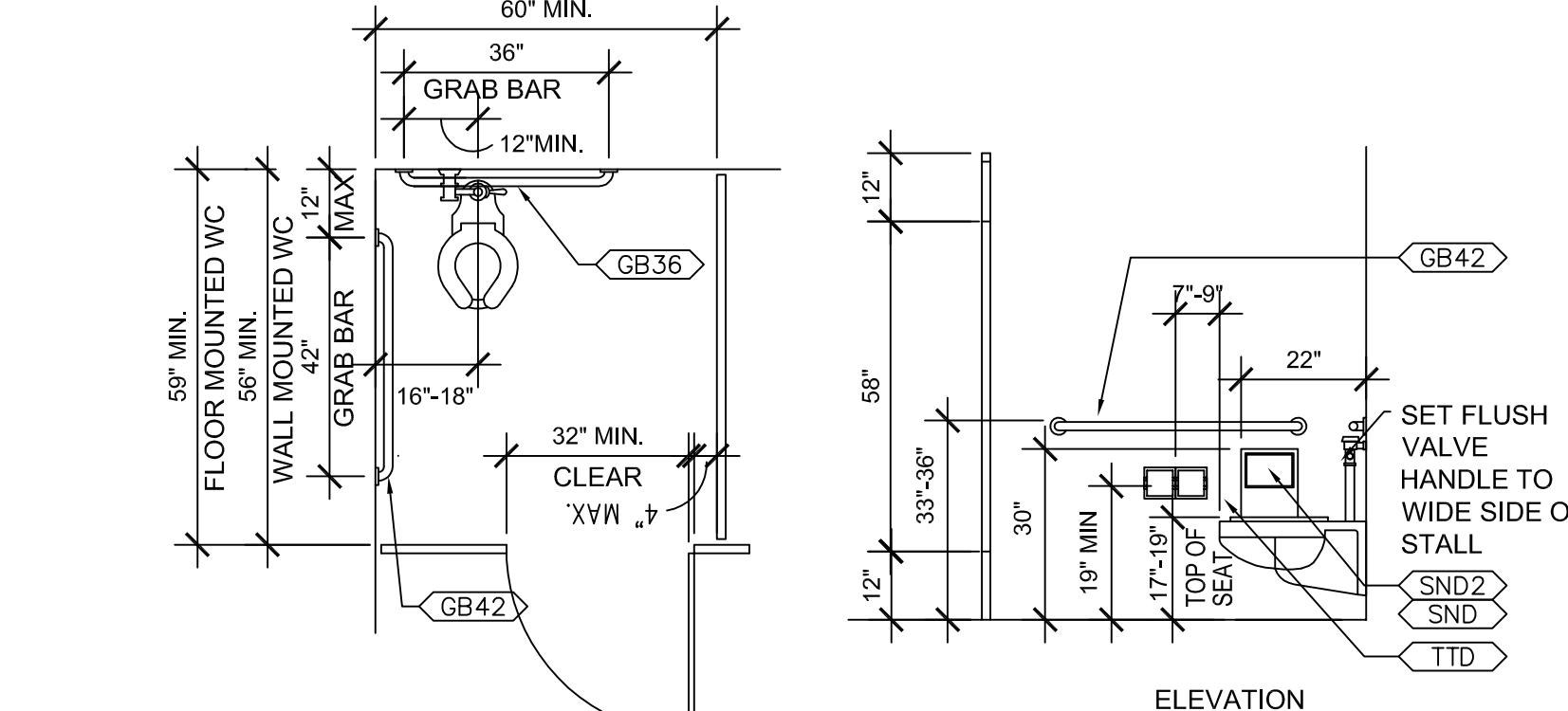
D ENLARGED RESTROOM FLOOR PLAN
1/4"=1'-0"

SPECIALTIES/ACCESSORIES SCHEDULE			
SYMBOL	ITEM	MANUFACTURER	MODEL NUMBER
<DCS>	DIAPER CHANGING STATION	BRADLEY (BRADEX) SURFACE MOUNTED	MODEL: 9631- LIGHT GREY
<EHD>	ELECTRIC HAND DRYER	BRADLEY (BRADEX) HIGH SPEED SURFACE MOUNT	MODEL: 2923-287400
<GB36>	GRAB BAR 36" LONG	BRADLEY	#812 (001-36")
<GB42>	GRAB BAR 42" LONG	BRADLEY	#812 (001-42")
<TS>	TOILET STALLS	SCRANTON PRODUCTS "HINY HIDERS" HIGH DENSITY POLYETHYLENE (HDPE) FLOOR MOUNTED OVERHEAD BRACED/ 55" STANDARD PANELS & DOORS/ CONTINUOUS ALUMINUM HINGE & STRIKE (EMERGENCY ACCESS) CONFIGURATION WALL FASTENER TORX 2 1/2" SHOE TYPE: STAINLESS/ WITH ROBE HOOKS	COLOR: STAINLESS/ TEXTURE: HAMMERED
<US>	URINAL SCREEN	SCRANTON PRODUCTS "HINY HIDERS" HIGH DENSITY POLYETHYLENE (HDPE) WALL HUNG/ 18"X42" STANDARD PANELS/ CONTINUOUS ALUMINUM BRACKET CONFIGURATION	COLOR: STAINLESS/ TEXTURE: HAMMERED
<MIR>	MIRROR	BRADLEY (BRADEX)	SERIES 780 (18"X30)
<WR>	WASTE RECEPTACLE	SIMPLEHUMAN, 80L/21.1 GALLON BULLET TRASH CAN WITH TOP TYP AT EXPOSED WATER LINES AND WASTE DRAIN, PER ADA	COLOR: BRUSHED S.S
<PIK>	PLUMBING INSULATION KIT	TYP AT EXPOSED WATER LINES AND WASTE DRAIN, PER ADA	
<SND>	SANITARY NAPKIN DISPOSAL	BRADLEY (BRADEX) SURFACE-MOUNTED	MODEL: 4781-11
<SND2>	SANITARY NAPKIN AND TAMPON DISPENSER	BRADLEY (BRADEX) SURFACE MOUNTED	MODEL: 4A20-11
<SD>	SOAP DISPENSER - LIQUID	GOJO SURFACE MOUNT 800 SERIES BAG-IN-BOX DISPENSER	COLOR: BLACK
<TTD>	TOILET TISSUE DISPENSER	GEORGIA-PACIFIC 592-06 TRANSLUCENT SMOKE TWO ROLL SIDE-BY-SIDE COVERED	COLOR: BLACK
<TSTD>	TOILET SEAT TISSUE DISPENSER	BRADLEY (BRADEX) SURFACE MOUNTED 500 CAPACITY	MODEL: 583
<MR>	MOP RACK	WALL MOUNTED	
 	BROOM RACK	WALL MOUNTED	

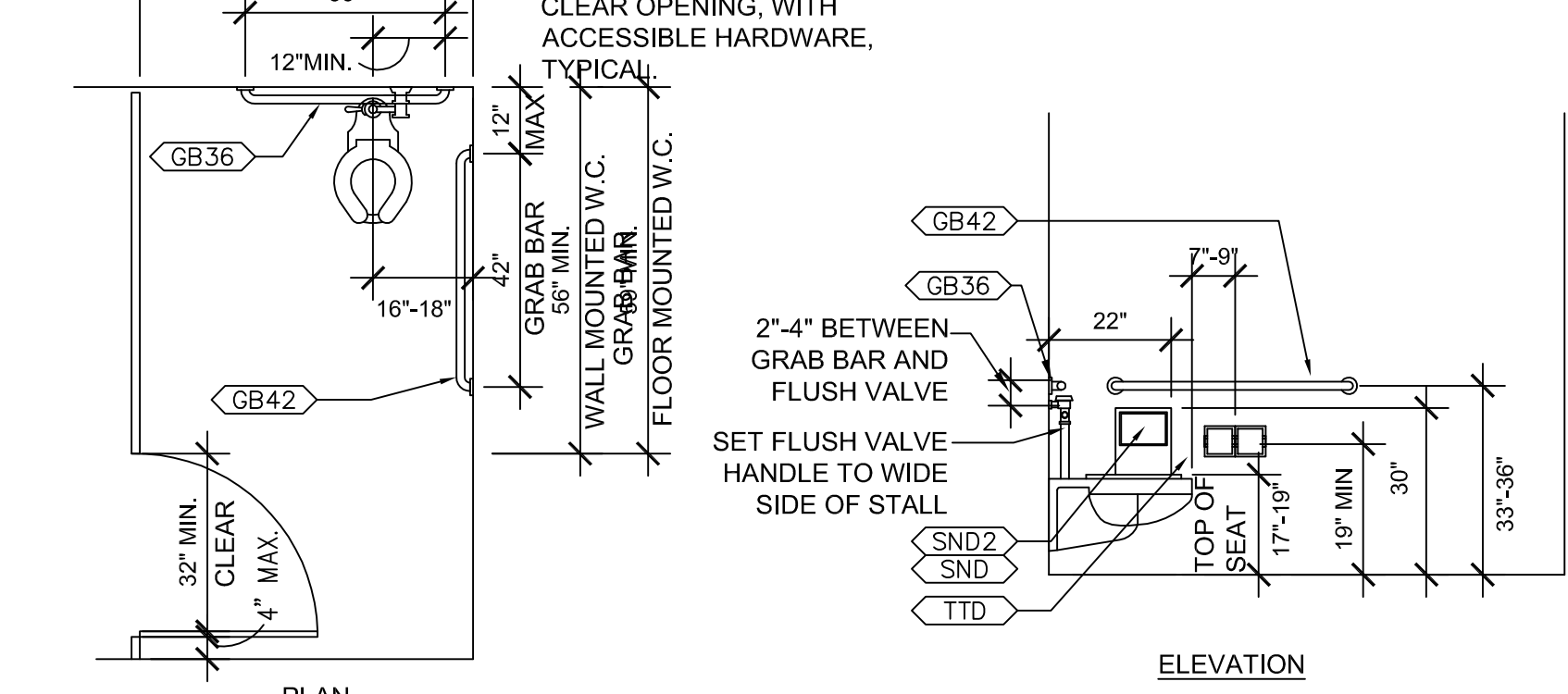
- GENERAL NOTES**
- THESE ARE TYPICAL DIAGRAMS INTENDED TO SHOW MOUNTING HEIGHTS, DIMENSIONS, SPACIAL REQUIREMENTS, ETC. FOR BOTH ACCESSIBLE AND NON-ACCESSIBLE FIXTURES AND ACCESSORIES.
 - NOT ALL DEVICES, FIXTURES, ACCESSORIES, ETC. THAT ARE SHOWN IN THESE DIAGRAMS ARE APPLICABLE TO THIS PROJECT. REFER TO ENLARGED FLOOR PLANS, INTERIOR ELEVATIONS, ROOM FINISH SCHEDULE, MEP DWGS AND PROJECT MANUAL FOR ADDITIONAL INFORMATION AND IDENTIFICATION OF WHICH SPECIFIC DEVICES, FIXTURES AND ACCESSORIES ARE INCLUDED UNDER THIS CONTRACT.
 - COMPLY WITH THE MOUNTING HEIGHTS SHOWN ON THESE DIAGRAMS UNLESS SPECIFICALLY DIMENSIONED ELSEWHERE ON THESE DRAWINGS.



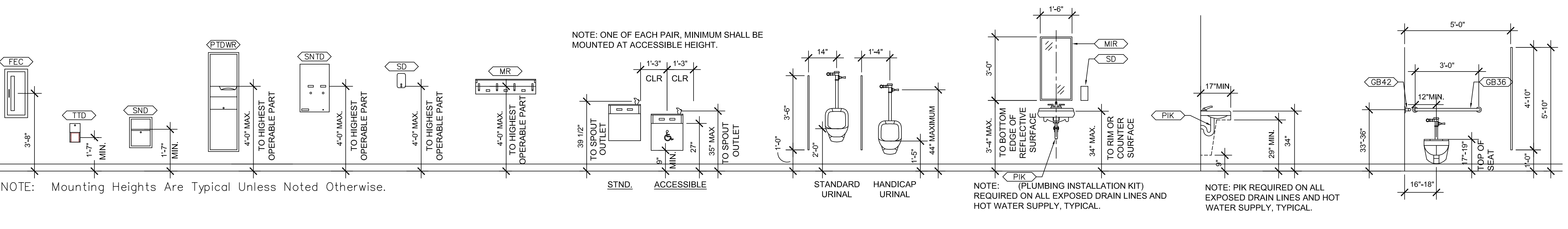
1 UNI-SEX STALL
3/8"=1'-0"



2 STANDARD ACCESSIBLE COMPARTMENT
3/8"=1'-0"



3 STANDARD ACCESSIBLE COMPARTMENT, END OF ROW
3/8"=1'-0"



4 WALL-MOUNTED TOILET ACCESSORIES
3/8"=1'-0"

X:\03\17\18\STRYKER_SPORTS_ARCH\CONSTRUCTION\1701010567_SHEET_SA7.1.dwg