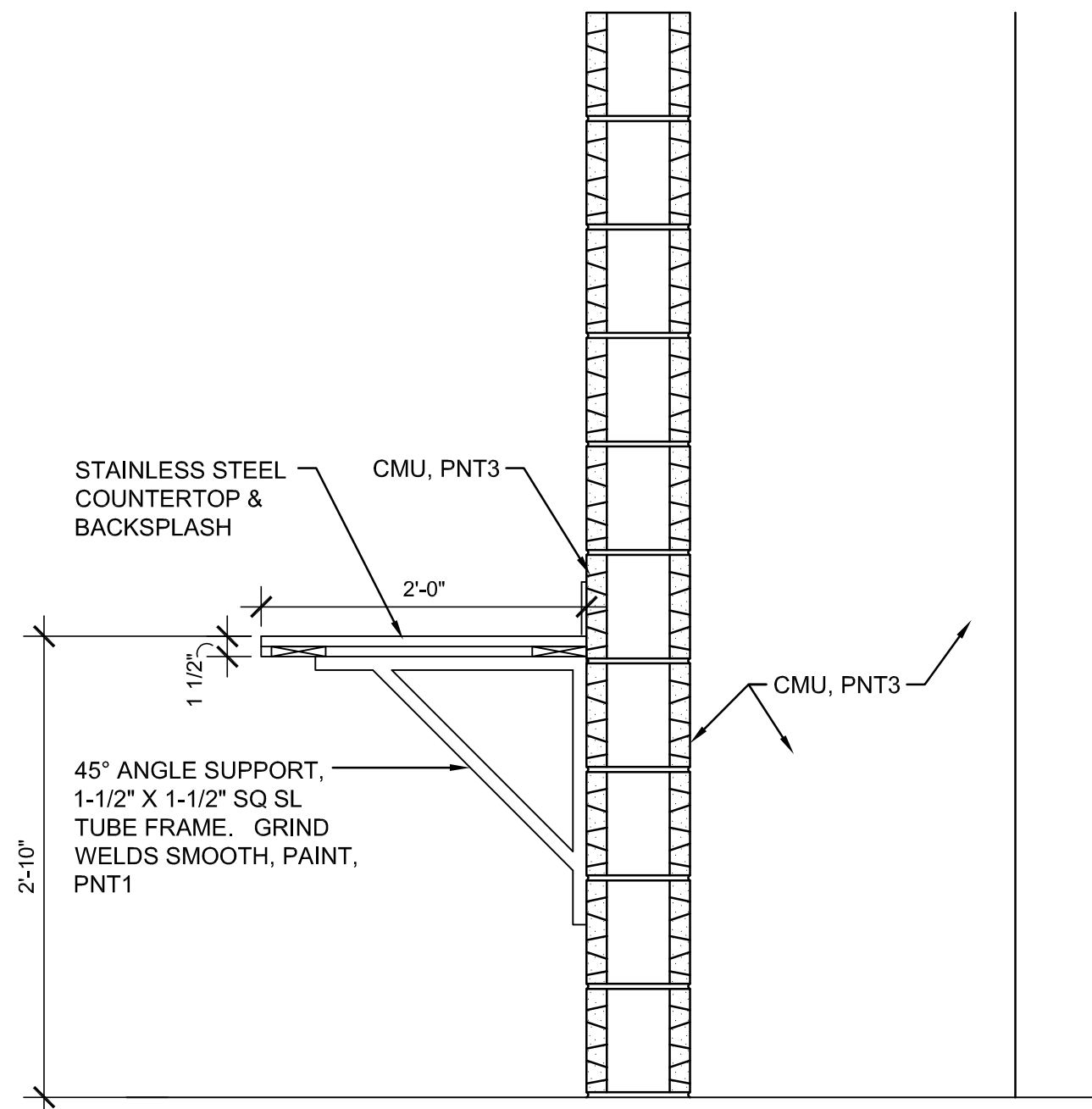
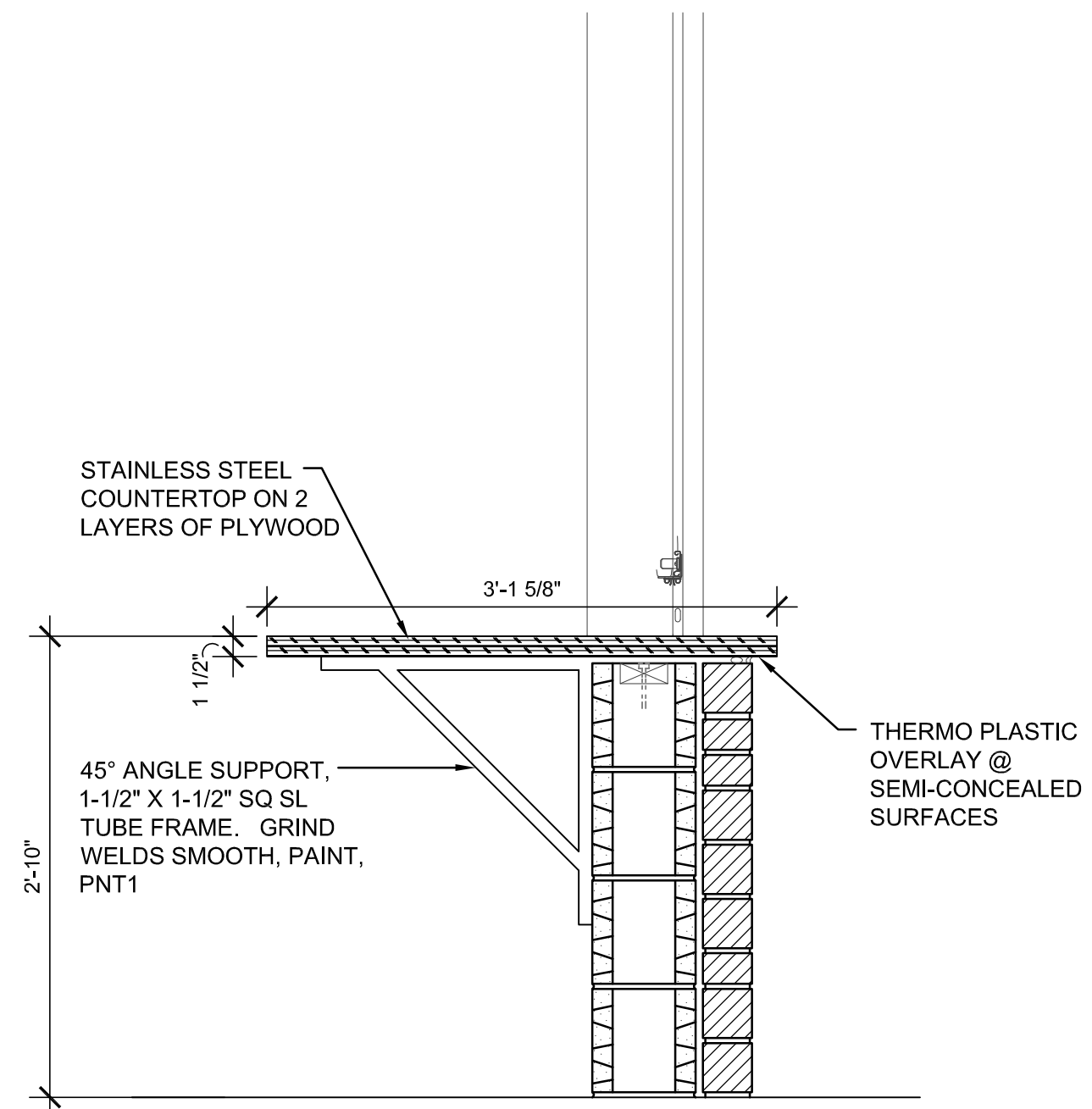


NOTED: 1/20/18, MARCH 26, 2018 @ 10:00AM  
 3/20/18, 1/20/18, CADIT, CONDOCS201808, 17007, SKY, LDWG



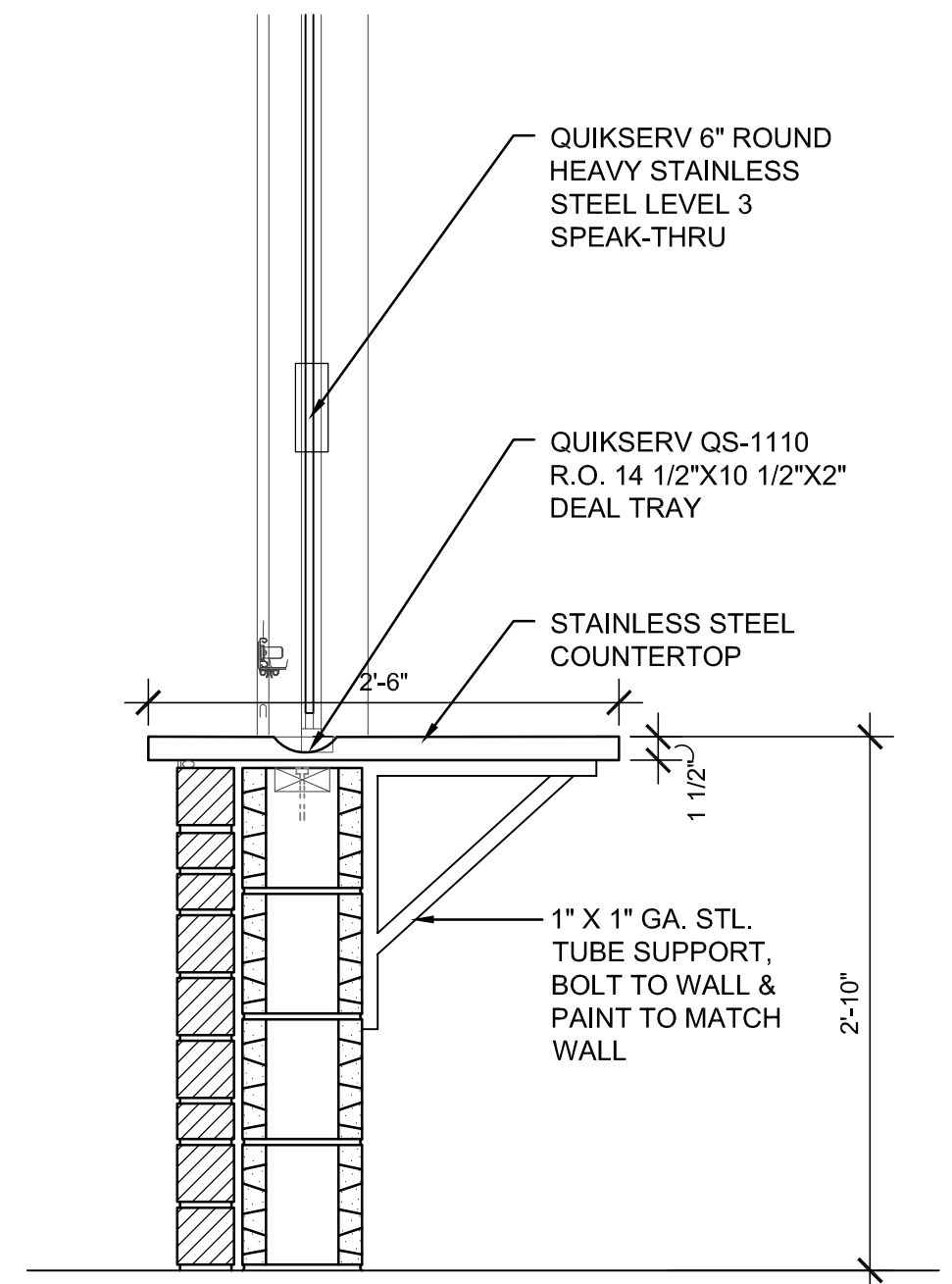
**1**  
**CONCESSION COUNTER**

0' 6" 1" 1"=1'-0"



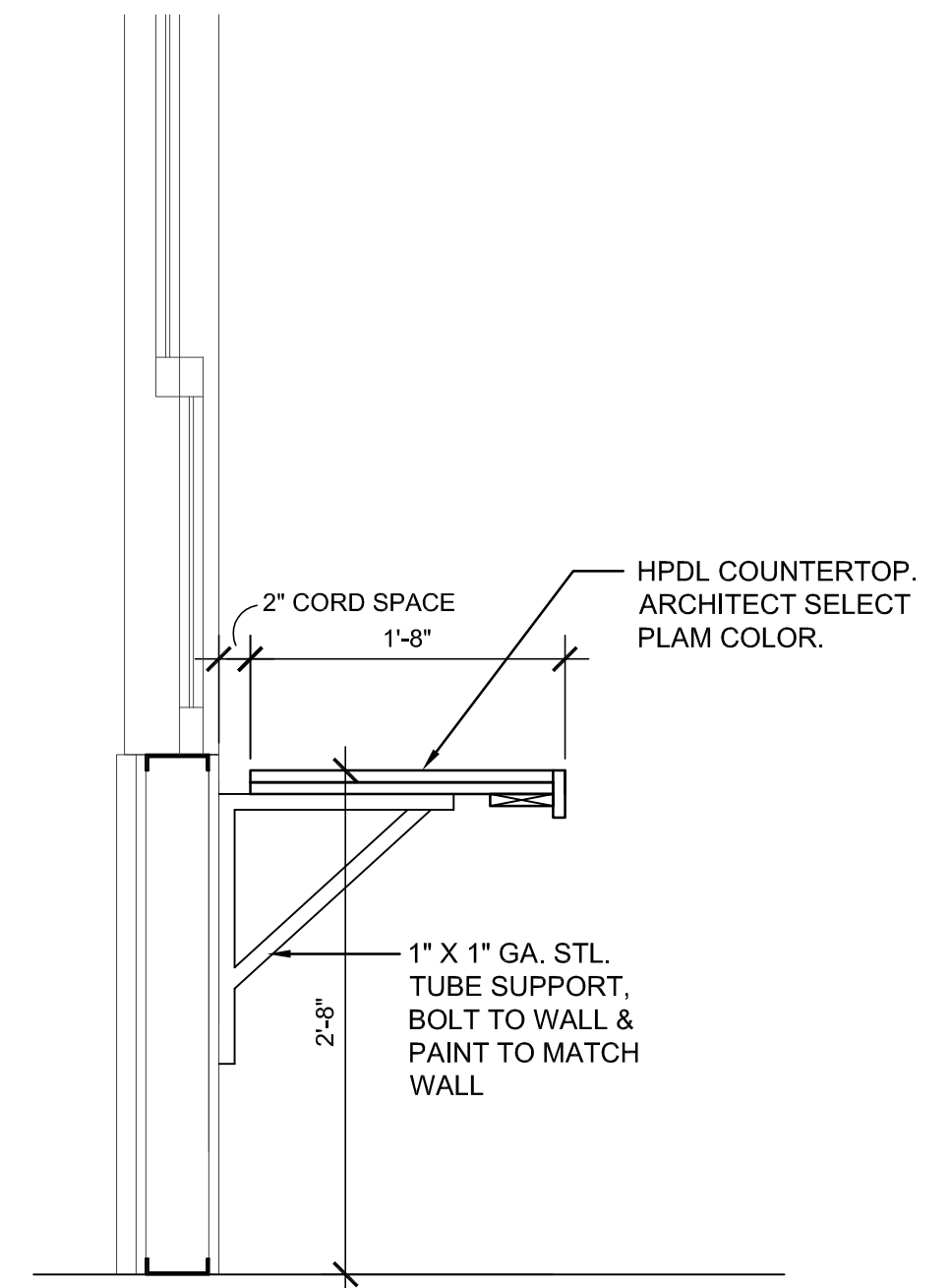
**2**  
**CONCESSION COUNTER**

0' 6" 1" 1"=1'-0"



**3**  
**TICKET BOOTH COUNTER**

0' 6" 1" 1"=1'-0"



**4**  
**PRESS BOX COUNTER**

0' 6" 1" 1"=1'-0"



©2018  
MKEC Engineering  
All Rights Reserved  
www.mkec.com  
These drawings and their contents, including but not limited to, all concepts, designs, & ideas are the exclusive property of MKEC Engineering (MKEC), and may not be used or reproduced in any way without the express consent of MKEC.

**INTERIOR ELEVATIONS & DETAILS**

PROJECT NO.	1701010567	
DATE	03/07/18	
SCALE	1/4"=1'-0"	
DESIGNED	DRAWN	CHECKED
SLC	SLC	MFC

NO.	REVISION	DATE

SHEET NO.  
**SA7.3**