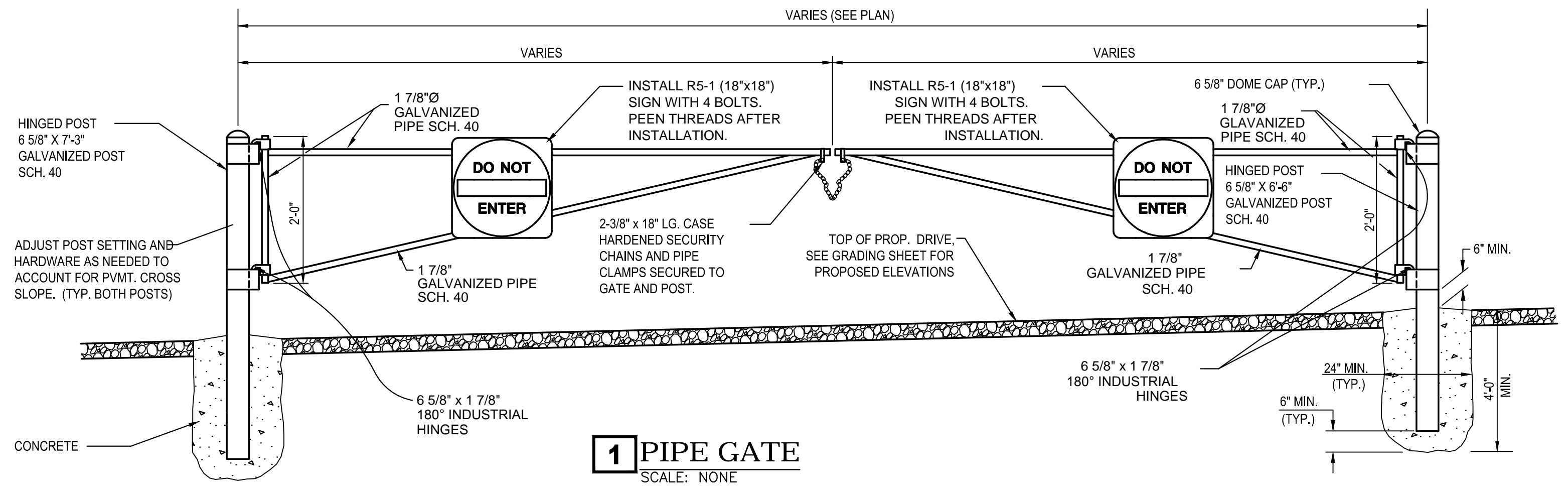


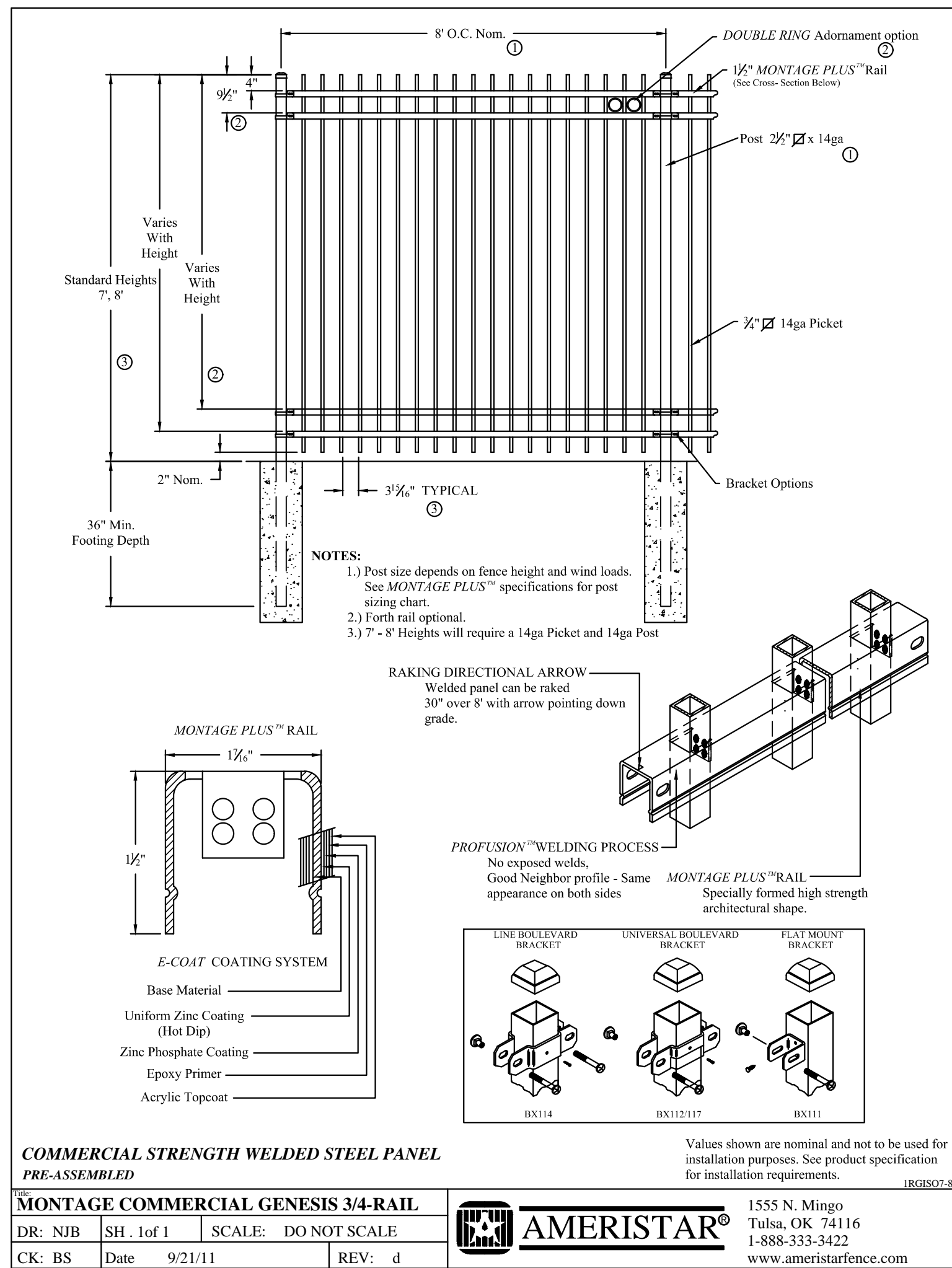
PLOTTED: Wednesday, May 02, 2018 @ 02:53PM

### FENCE AND GATE NOTES

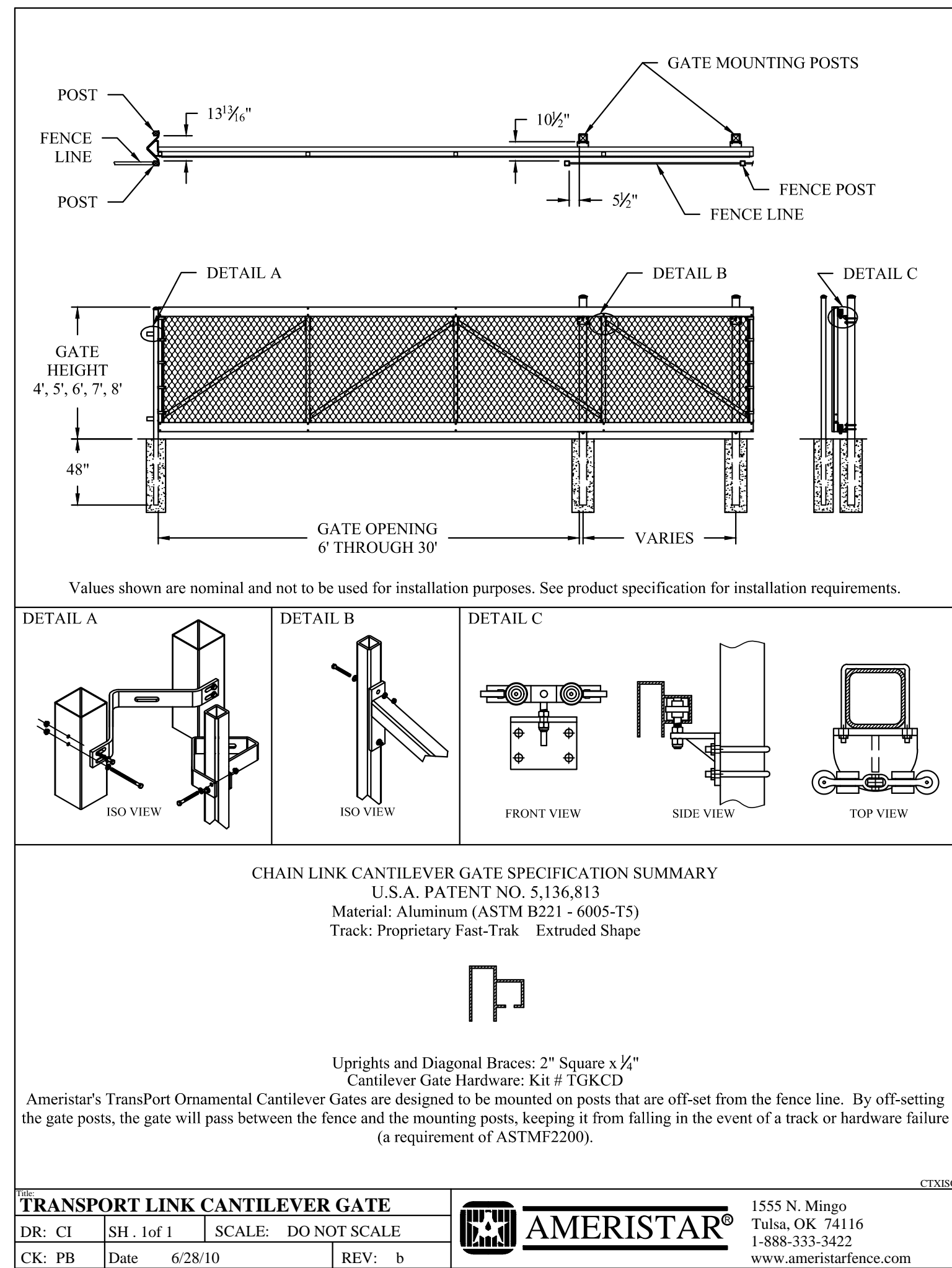
- ORNAMENTAL FENCE SHALL BE AMERISTAR MONTAGE COMMERCIAL GENESIS 3/4 RAIL OR PRE-BID APPROVED EQUAL. HEIGHT SHALL BE 7'-0" AND BRONZE COLOR.
- FENCE, GATES, HARDWARE, ETC. SHALL BE INSTALLED PER MANUFACTURER'S SPECIFICATIONS.
- ALL GATES, REGARDLESS OF TYPE (SINGLE, DOUBLE, ETC.), SHALL BE THE SAME CONSTRUCTION TYPE AND HEIGHT AS THE FENCE TYPE THEY ARE CONNECTED TO.



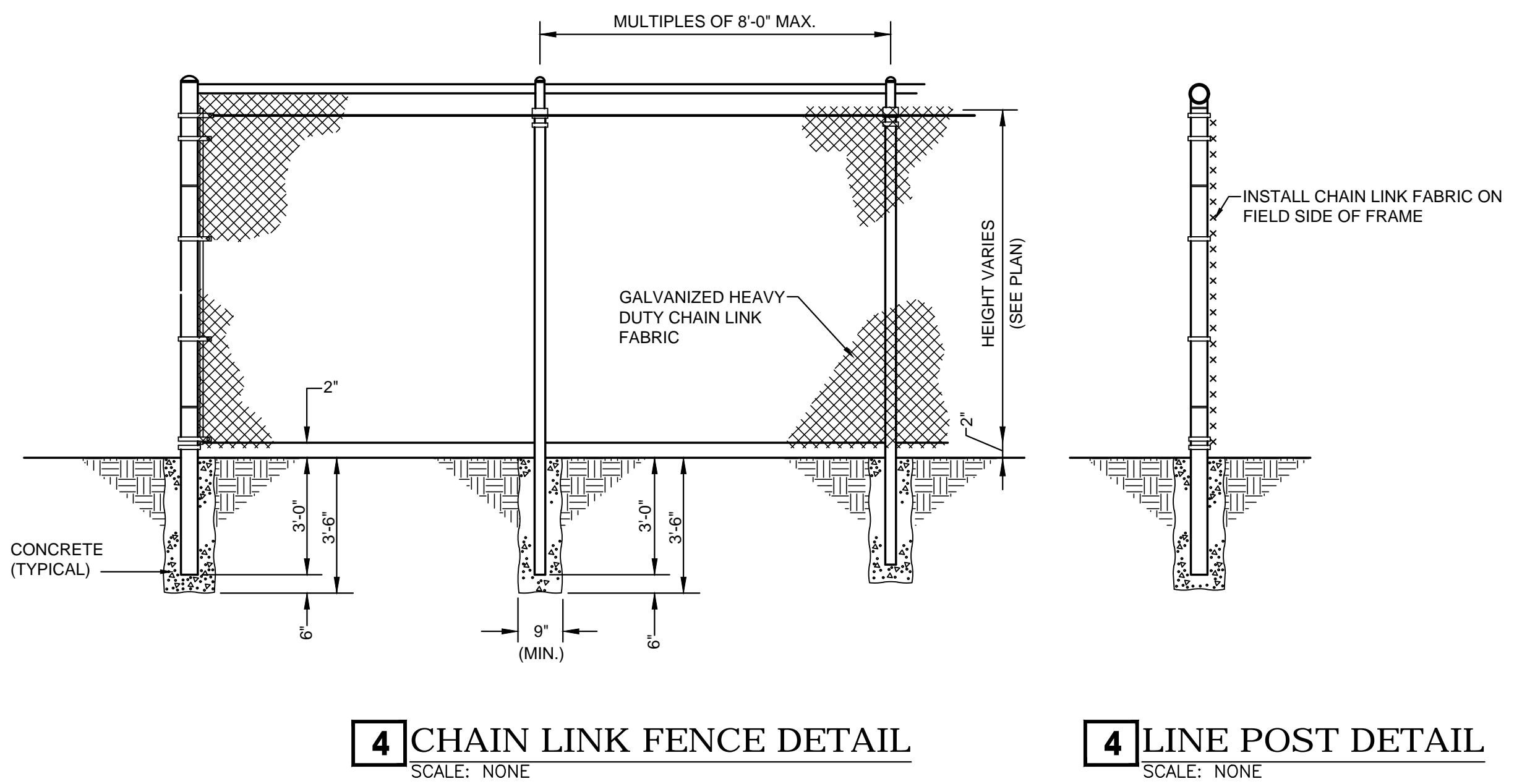
**1** PIPE GATE  
SCALE: NONE



**2** ORNAMENTAL FENCE DETAIL  
SCALE: NONE

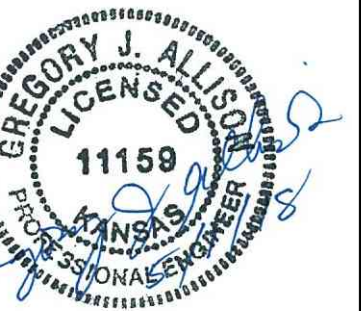


**3** CHAINLINK CANTILEVER GATE DETAIL  
SCALE: NTS (COST SUBSIDIARY TO 8' CHAINLINK BID ITEM)



**4** CHAIN LINK FENCE DETAIL  
SCALE: NONE

**4** LINE POST DETAIL  
SCALE: NONE



©2018 MKEC Engineering All Rights Reserved www.mkec.com  
These drawings and their contents, including, but not limited to, all concepts, designs, & ideas are the exclusive property of MKEC Engineering (MKEC), and may not be used or reproduced in any way without the express consent of MKEC.

### FENCE DETAILS

PROJECT NO.	1701010567	
DATE	MAY 2, 2018	
SCALE	AS SHOWN	
DESIGNED	DRAWN	CHECKED
DFL	JWC	MAB

0	ISSUED FOR CONST.	05-02-18
NO.	REVISION	DATE

SHEET NO.

J:\PROJECTS\2017\1701010567\_COW\_STRYKER\170567 CAD\SHITS\05\_OVALS\ITEM17567-05-1101.DWG