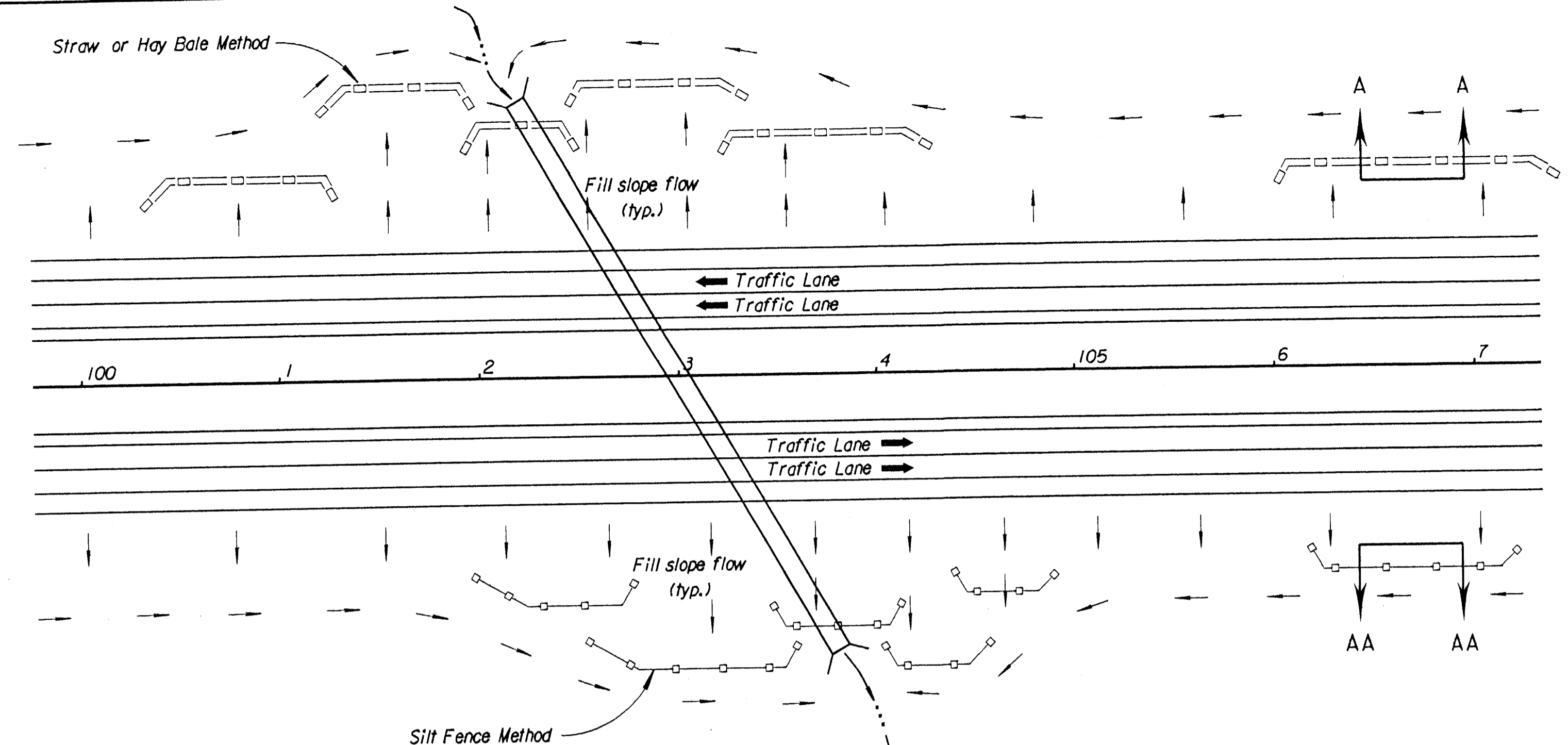
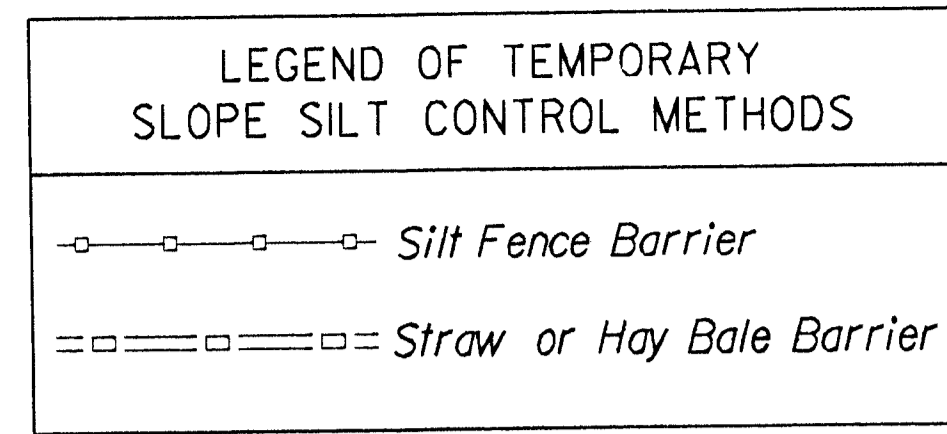


FHWA REGION NO.	STATE	PROJECT NO.	YEAR	SHEET NO.	TOTAL SHEETS
7	KANSAS	87N-0094-01	1998	125	202



TYPICAL PLAN
NO SCALE

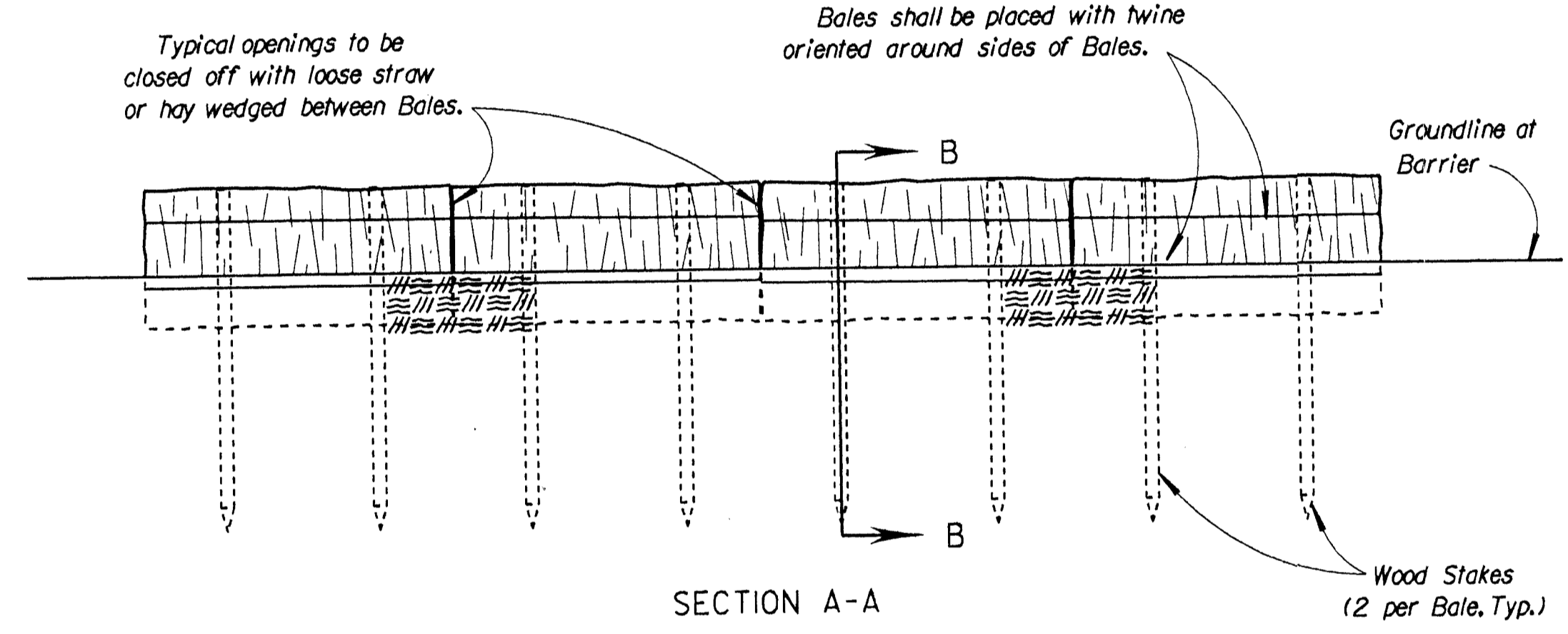


GENERAL NOTES

- 1) The usage of Straw or Hay Bales or Silt Fence is at the option of the Contractor. The symbols shown in the Typical Plan shall in no way be interpreted nor implied as to the usage of Slope Barrier Types.
- 2) The slope barriers shall be placed along contour lines, with a short section turned upgrade at each end of the barrier.
- 3) At culverts, the Straw or Hay Bales or Silt Fence shall be placed over the culvert, not through the streambed flowline.

INSTALLATION NOTES

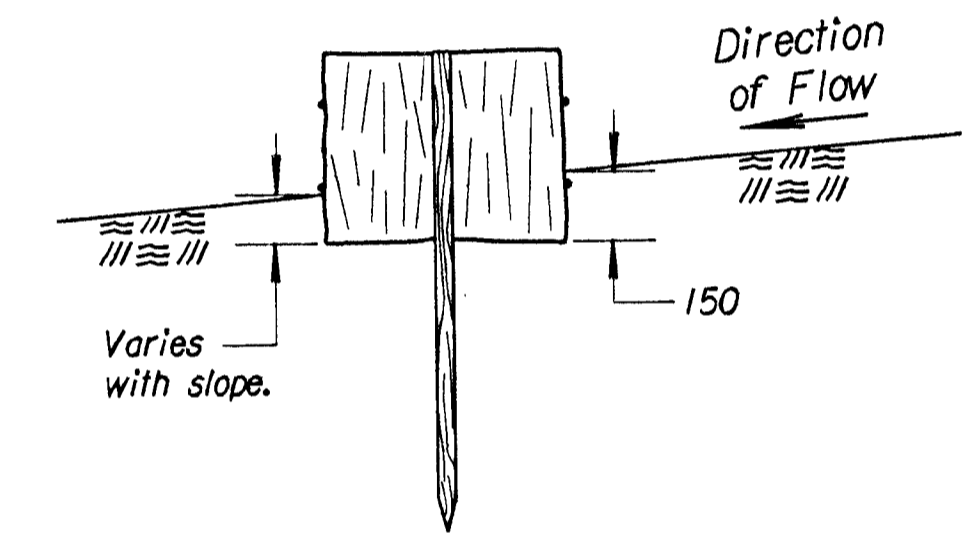
- STRAW OR HAY BALES:
1. Place Bales tightly together, with loose straw or hay wedged between Bales to close off any openings.
 2. Wood Stakes shall be 50 mm x 50 mm (nom.) x 1 200 mm long (min.)
 3. Refer to plan sheets to estimate the linear footage of Bales required.
 4. Use only twine to bind bales. The use of wire binding is prohibited because it does not readily biodegrade.
- SILT FENCE:
1. Wood Stakes shall be 50 mm x 50 mm (nom.) x 1 200 mm long (min.)
 2. Attach Fence Fabric to wood stakes with staples, wire, or nails.
 3. Refer to plan sheets to estimate the linear footage of Silt Fence required.



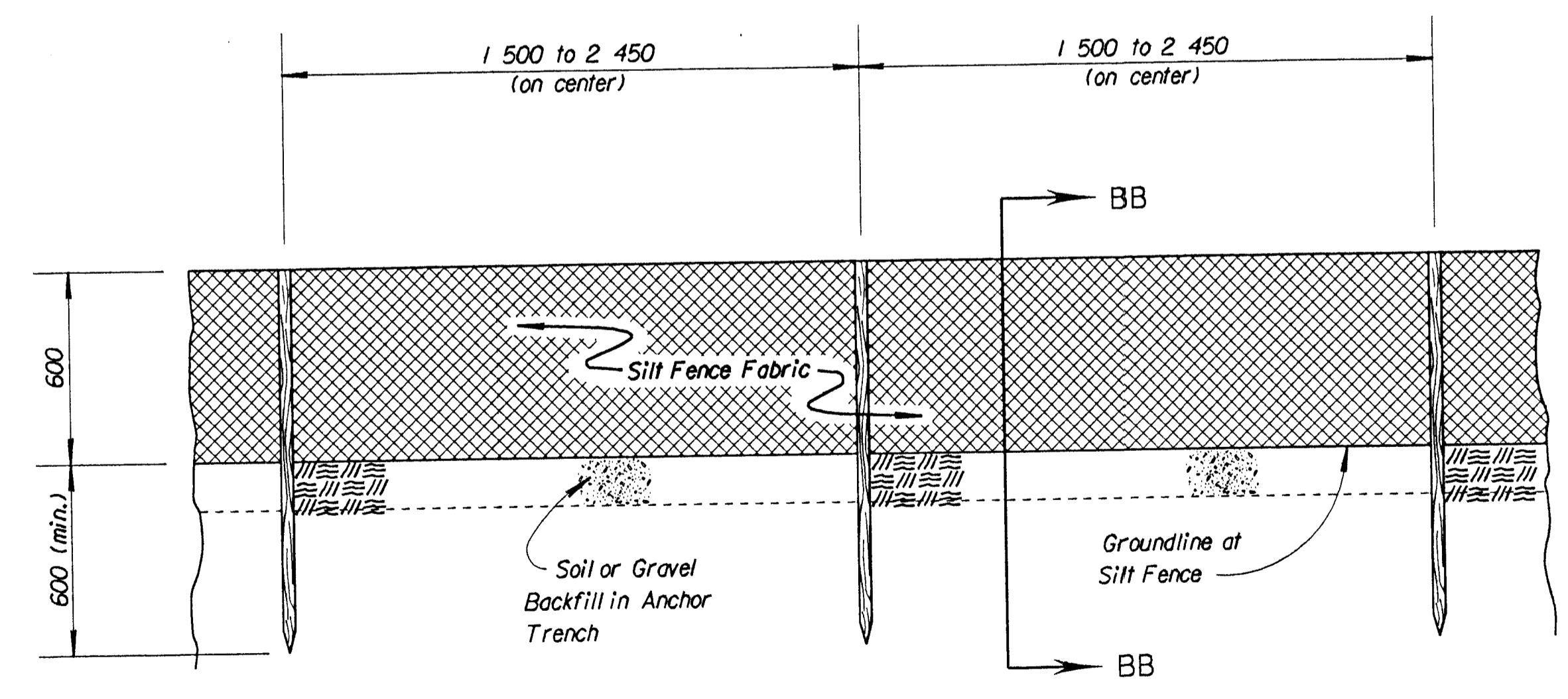
SECTION A-A

STRAW BALE SLOPE BARRIER

NO SCALE



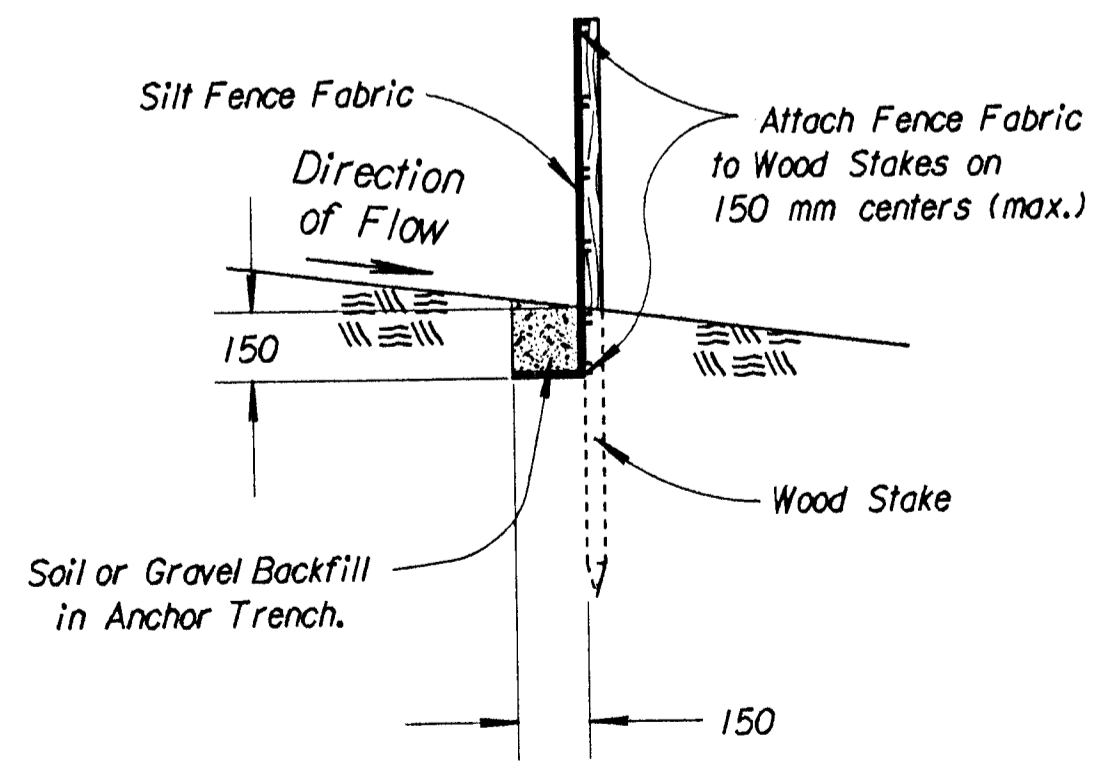
SECTION B-B



SECTION AA-AA

SILT FENCE SLOPE BARRIER

NO SCALE



SECTION BB-BB

125
202

NO.	DATE	REVISIONS	WCL	RDR
3				
2	3/17/97	Revise Silt Fence Stake Length	WCL	RDR
1	7-5-95	Convert to SI	WCL	RDR

KANSAS DEPARTMENT OF TRANSPORTATION
 TEMPORARY PROJECT WATER POLLUTION CONTROL
 STRAW OR HAY BALE SLOPE BARRIERS
 SILT FENCE SLOPE BARRIERS

LA852D SI

F.H.W.A. APPROVAL	4/02/97	APP'D	Richard D. Ross
DESIGNED	WCL	QUANTITIES	TRACED
DESIGN CK.	RDR	DETAIL CK.	WCL
		QUAN. CK.	TRACE CK.

Drawn By: jleek
 DGN File: /usr5/ross/metsd/la852dsi.dgn
 Plotted: 30-JUL-1997 09:54
 View: PLOT 1