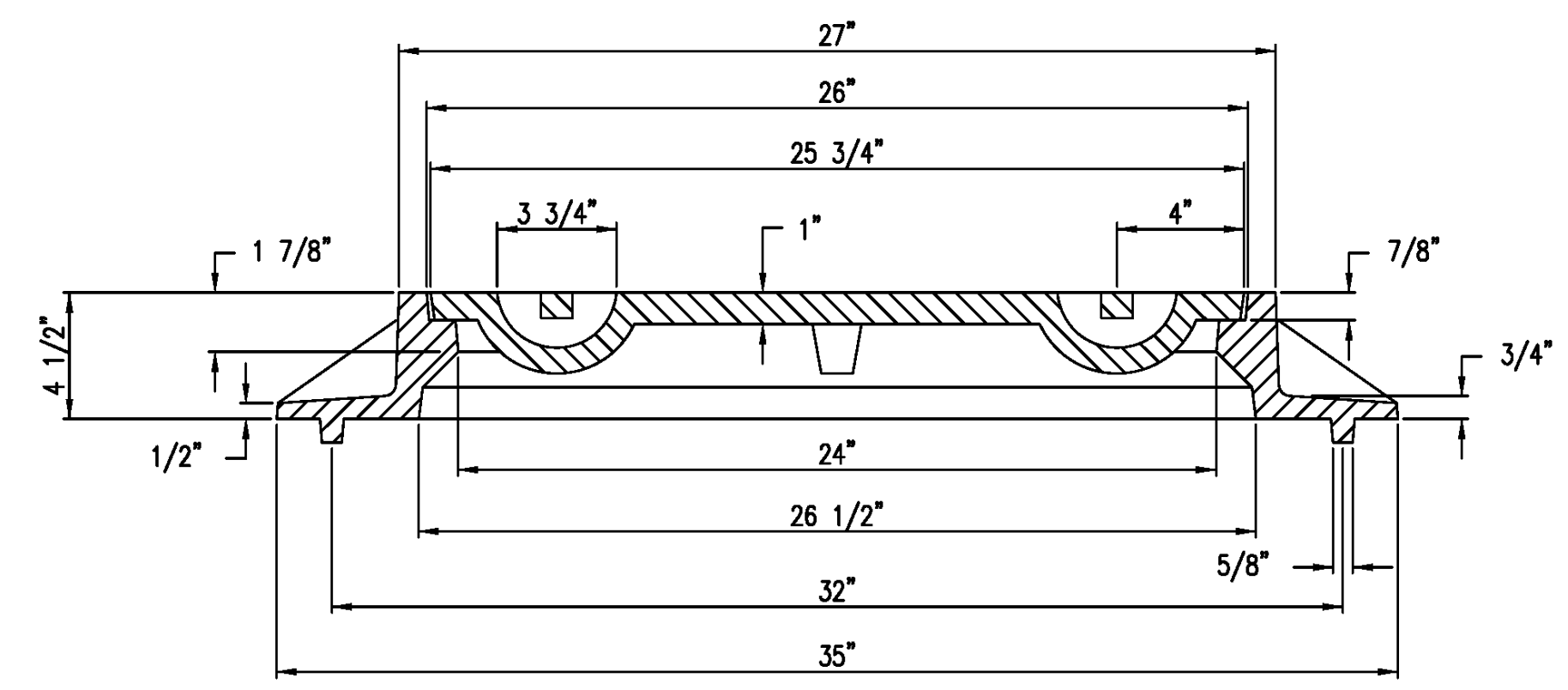
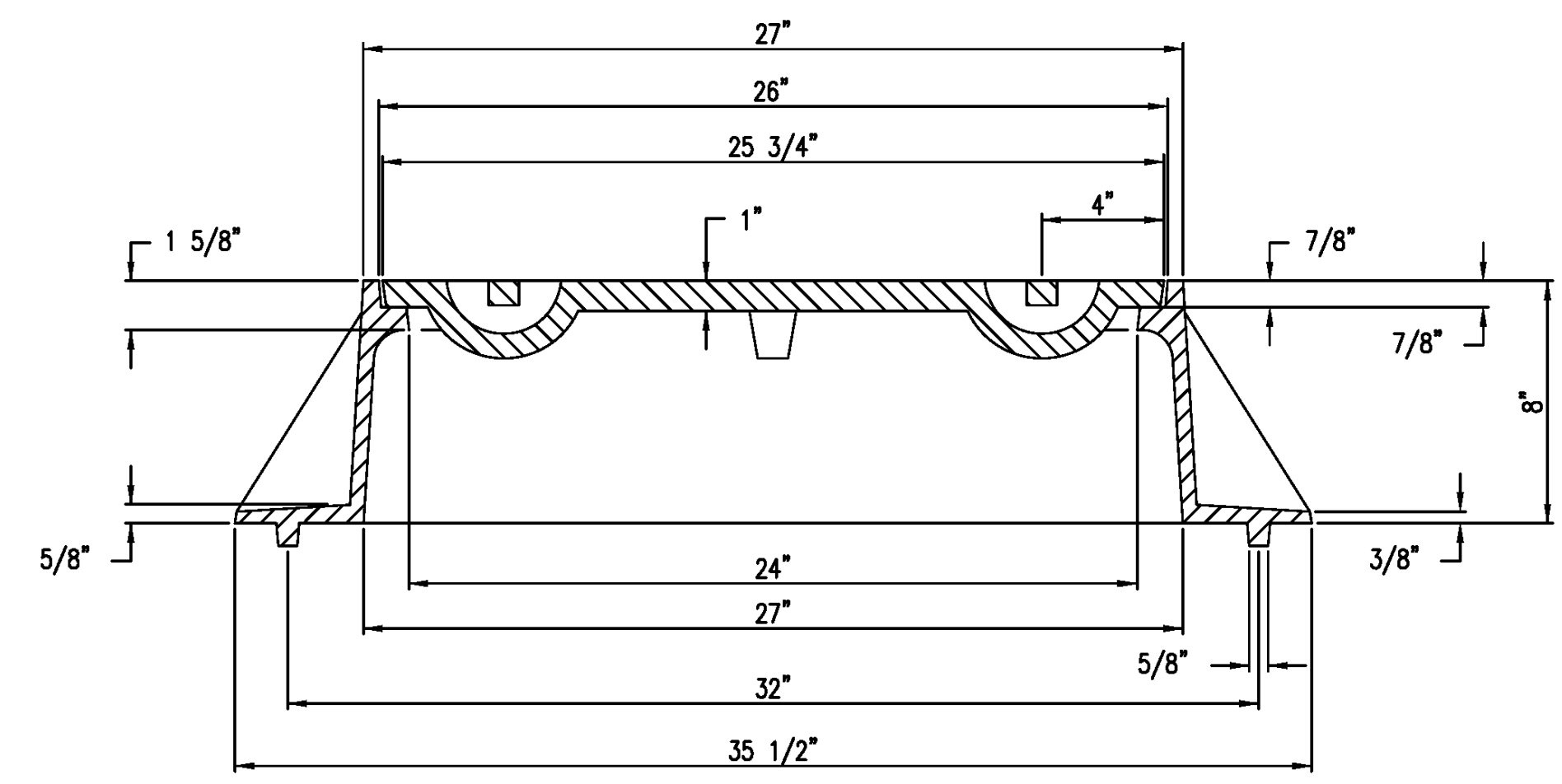
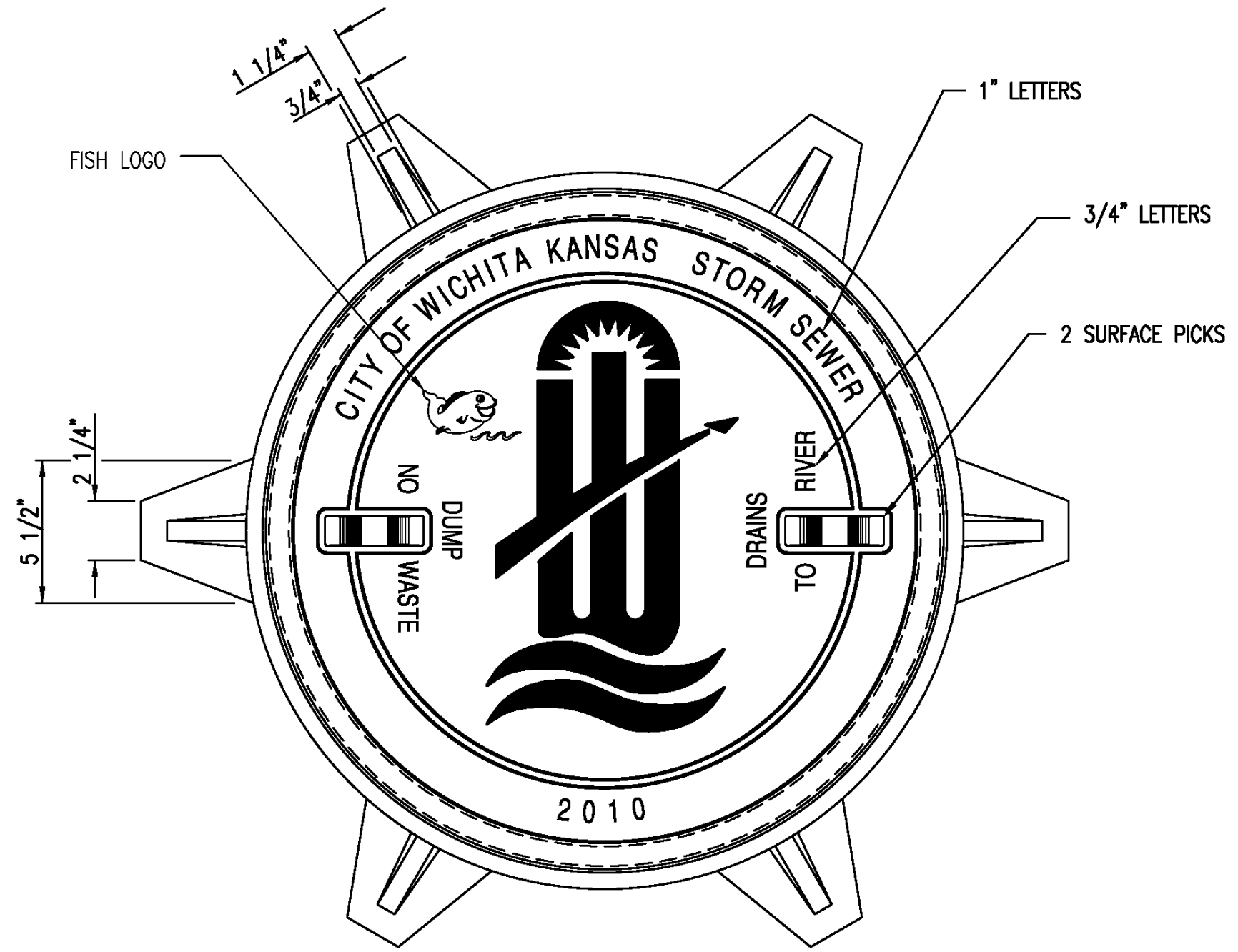
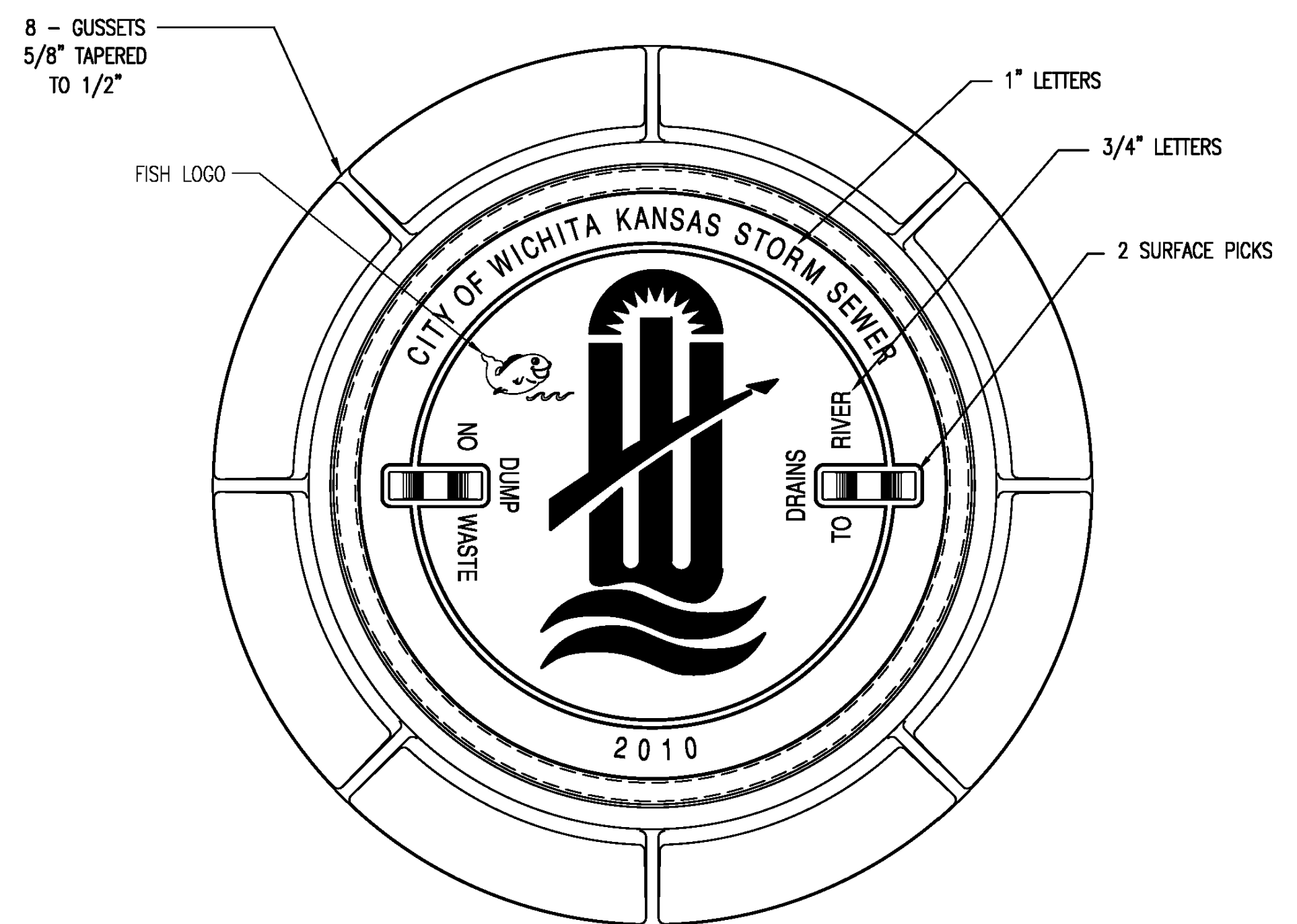


REV.	DESCRIPTION	DATE



MANHOLE FRAME
DEETER #1261 OR EJIW #1936-Z1

- NOTE:
1. FURNISHED WITH MACHINED HORIZONTAL BEARING SURFACE.
 2. COVER TO BE DEETER #1261 OR EJIW #1936A.

INLET FRAME
DEETER #2014 OR EJIW #1936-Z4

- NOTE:
1. FURNISHED WITH MACHINED HORIZONTAL BEARING SURFACES.
 2. NOT TO BE USED UNDER PAVEMENT.
 3. COVER TO BE DEETER #1261 OR EJIW #1936A.



MANHOLE/INLET FRAME AND COVER (STORM SEWER)		
CITY ENGINEER GARY JANZEN, P.E.		
PROJECT NUMBER	OCA NUMBER	DATE 11/2010
CITY ENGINEER'S OFFICE CITY HALL - SEVENTH FLOOR 455 NORTH MAIN STREET WICHITA, KANSAS 67202-1620 (316) 268-4501		SHEET

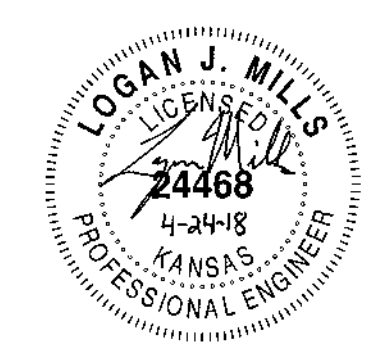
SCHURR ADDITION
STREET IMPROVEMENTS

WICHITA, SEDGWICK COUNTY, KS

CERTIFIED ENGINEERING DESIGN, P.A.
CIVIL ENGINEERING SERVICES



1935 WEST MAPLE STREET
WICHITA, KANSAS 67213
PH.(316)262-8808 FAX.(316)262-1669



PROJECT NO.: 20182509
ISSUE DATE: 04/24/18
CONTACT: H. FORAKER / L. MILLS
CHECKED BY: H. FORAKER / L. MILLS

MANHOLE FRAME & COVER

FILE LOCATION: S:\Drawing Files\Projects\20182509\DWG\Storm.dwg TAB NAME: Frame & Cover USER: rasawyer SAVED: 4/23/2018 2:02 PM PLOTTED: 4/24/2018 1:32 PM