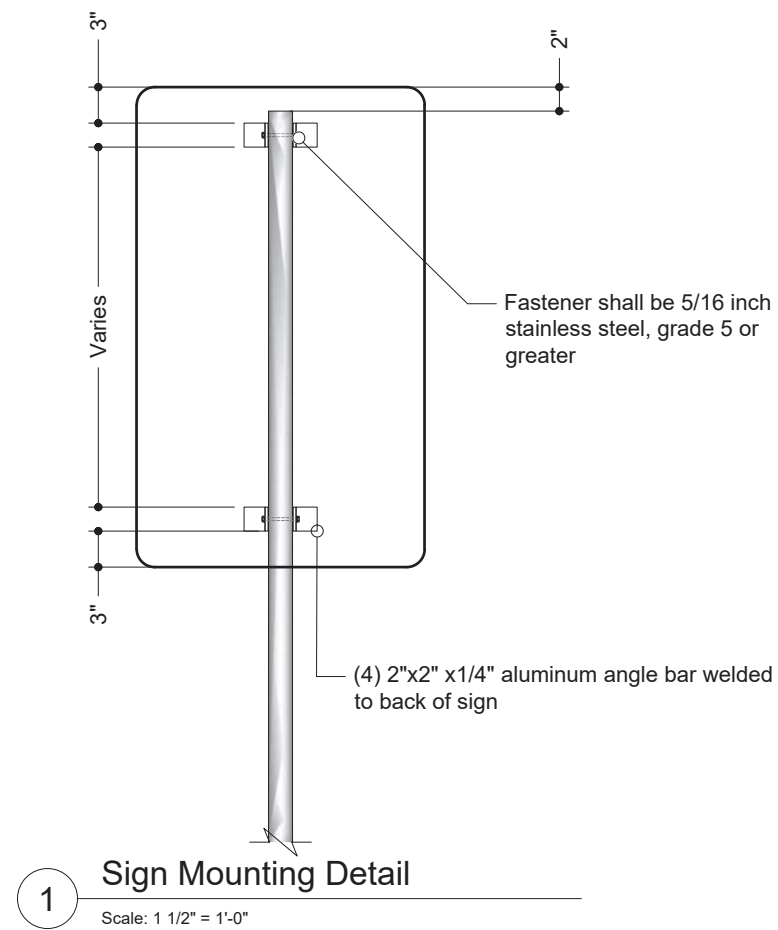


1. SIGN MOUNTING DETAIL

MATERIAL: 2"x2" Aluminum angle bar weld to back of the sign, minimum 3" for top and bottom of the sign, see Sheet 28 Detail 1.
 FASTENER: Mechanically fasten to post with taper proof fasteners. Fastener shall be 5/16 inch stainless steel, grade 5 or greater.



DESIGNED:	REVISIONS		
REVIEWED:	NO	DATE	ITEM
DRAWN:	---	---	---
PROJECT NO.:	---	---	---
SCALE:	AS SHOWN		



711 SE Grand Avenue
 Portland, Oregon 97211
 p:503.230.9862 f:503.230.9862

KEY NOTES:

All improvements shall occur within public right of way. City to verify and approve final location.
 City to field verify location prior to installation.
 Contractor to verify exact locations for all underground and overhead utilities prior to installations and avoid all conflicts.
 Contractor to stake locations and seek approval from project owner prior to fabrication.

City of Wichita
Master Bicycle Plan
 Wichita, Kansas

SHEET NO.

26 OF 26