

EDGE OF SIDEWALK COORDINATE POINTS

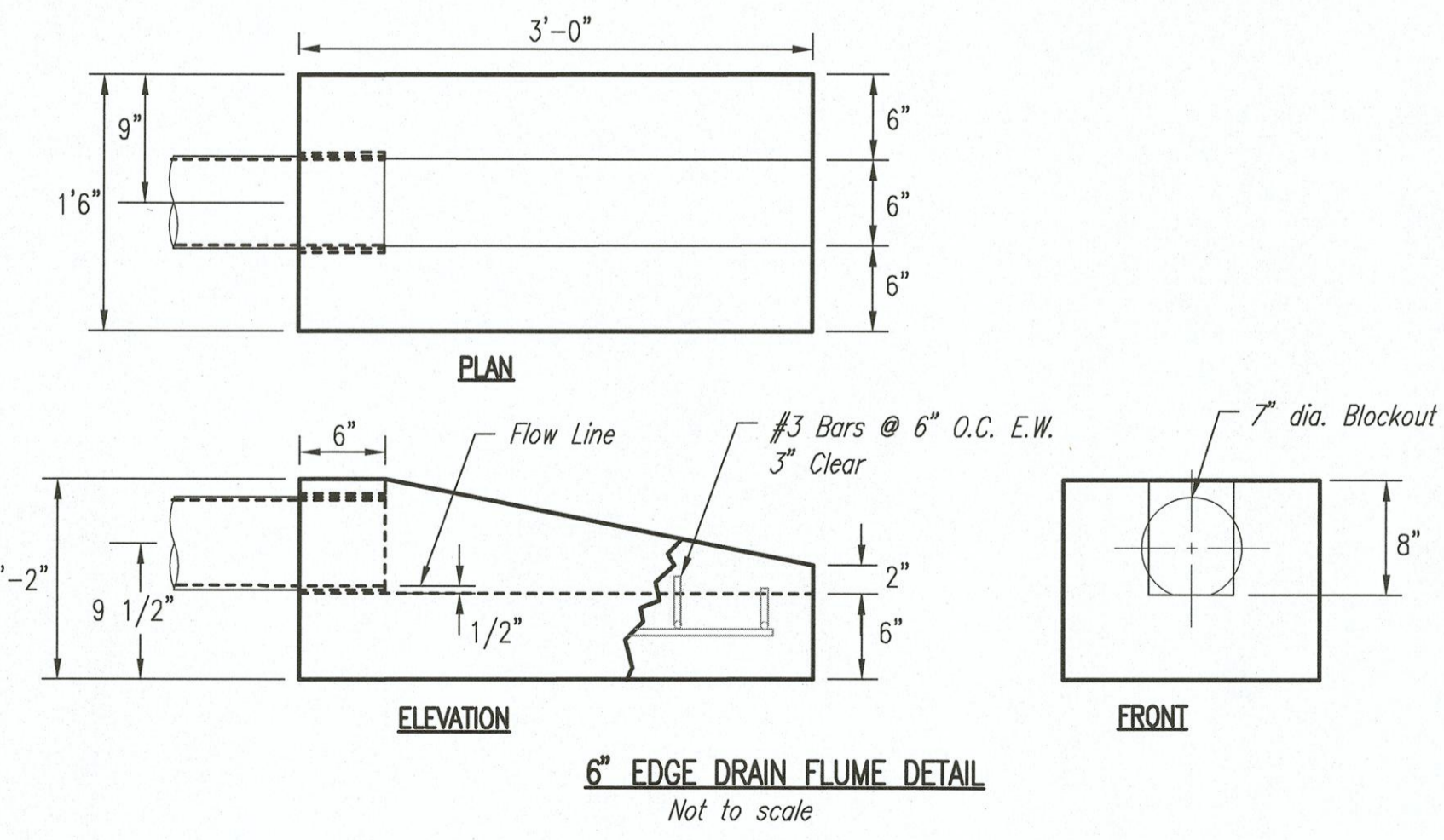
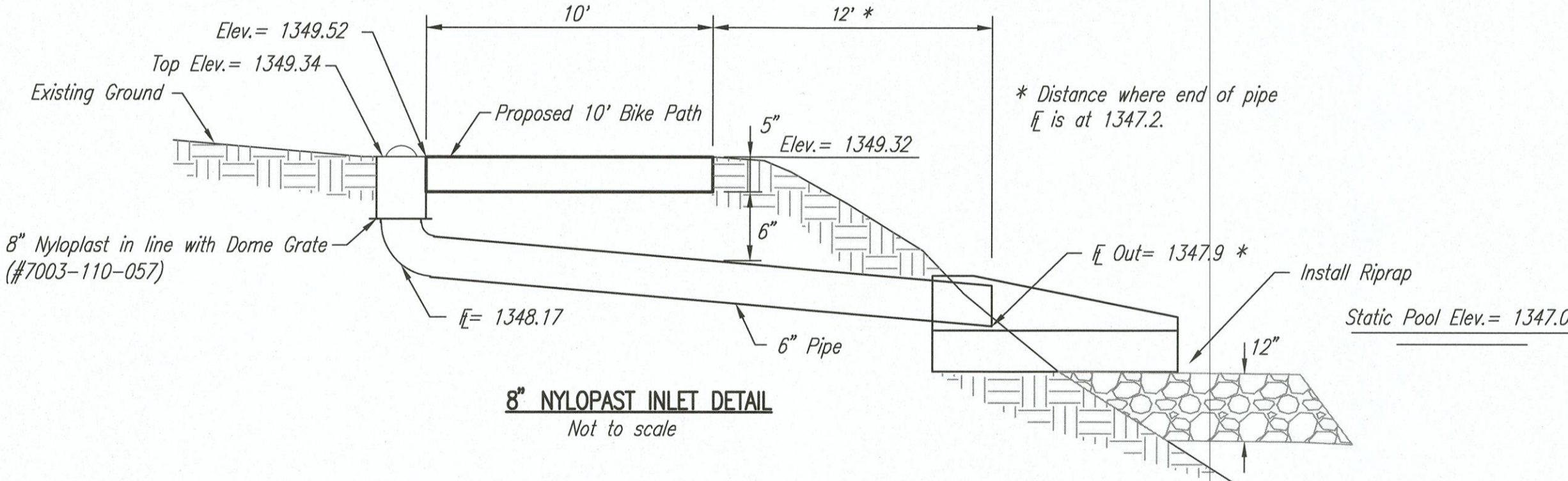
POINT	NORTHING	EASTING
1060	9,492.7909	6,105.9303
1061	9,483.1761	6,108.8788
1062	9,496.3085	6,118.2358
1063	9,486.6427	6,120.8060
1064	9,506.9913	6,155.6069
1065	9,497.3764	6,158.3554
1066	9,523.9658	6,188.6113
1067	9,516.1377	6,194.8339
1068	9,552.2904	6,212.5934
1069	9,547.4438	6,221.3405
1070	9,570.3766	6,222.6146
1071	9,565.3748	6,231.2756
1072	9,589.5722	6,233.2505
1073	9,584.7257	6,241.9976
1074	9,624.4658	6,252.7095

POINT	NORTHING	EASTING
1075	9,619.4237	6,261.3452
1076	9,664.6561	6,276.1754
1077	9,659.6139	6,284.8111
1078	9,704.8464	6,299.6412
1079	9,699.8042	6,308.2770
1080	9,719.0628	6,309.6035
1081	9,712.6667	6,317.2905
1082	9,754.3523	6,338.9668
1083	9,747.9793	6,346.6730
1084	9,784.8925	6,364.3784
1085	9,783.2918	6,376.0556
1086	9,789.6417	6,368.3301
1087	9,816.3684	6,390.0302
1088	9,810.0418	6,397.7746
1089	9,843.0950	6,411.7302

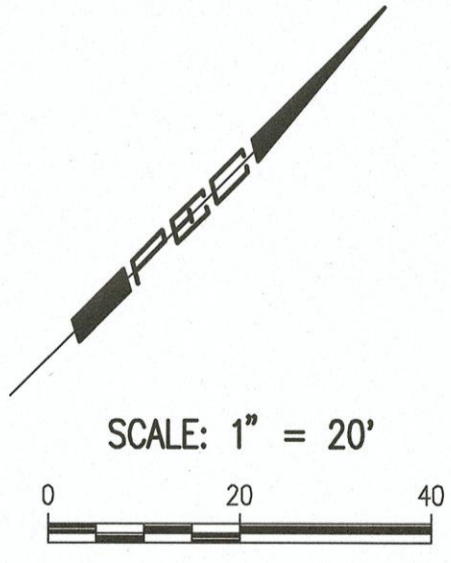
POINT	NORTHING	EASTING
1090	9,836.7918	6,419.4935
1091	9,868.1387	6,441.2594
1092	9,859.4504	6,446.2104
1093	9,880.7774	6,477.8575
1094	9,870.8854	6,479.3230
1095	9,885.5208	6,509.8754
1096	9,875.6288	6,511.3409

POINT	NORTHING	EASTING	RADIUS
C5006	9,598.3326	6,129.4964	95'
C5007	9,651.9036	6,390.3168	95'
C5008	9,776.9111	6,493.2451	95'

NOTE: COORDINATE POINTS ARE TO THE CENTER OF RADIUS.



- LEGEND**
- 1390 — EXISTING MAJOR CONTOUR
 - - - 1391 - - - EXISTING MINOR CONTOUR
 - 1350.00 PROPOSED SPOT ELEVATION
 - ME MATCH EXISTING ELEVATION
 - HP HIGH POINT
 - (1000) COORDINATE POINT
 - WSH EXISTING SPRINKLER HEAD



No.	Revision	By	Date

CADILLAC LAKE 2ND ADDITION
BIKE PATH IMPROVEMENTS
BIKE PATH PLAN

GARY JANZEN, P.E. - CITY ENGINEER
 CITY OF WICHITA PROJECT NO. 472-85400

PROFESSIONAL ENGINEERING CONSULTANTS, P.A.
 303 SOUTH TOPEKA WICHITA, KS 67202
 316-262-2891 www.pec1.com

Designed by CSB, RMG	Job No. 35-180017-000	Sht. 6 of 12
Drawn by CSL	Date APRIL 2018	

Saved: 06-12-2018 3:08:16 PM by CSL
 U:\Working\2018\180017-000\Main Drawings\180017-000-C06-BIKE PATH