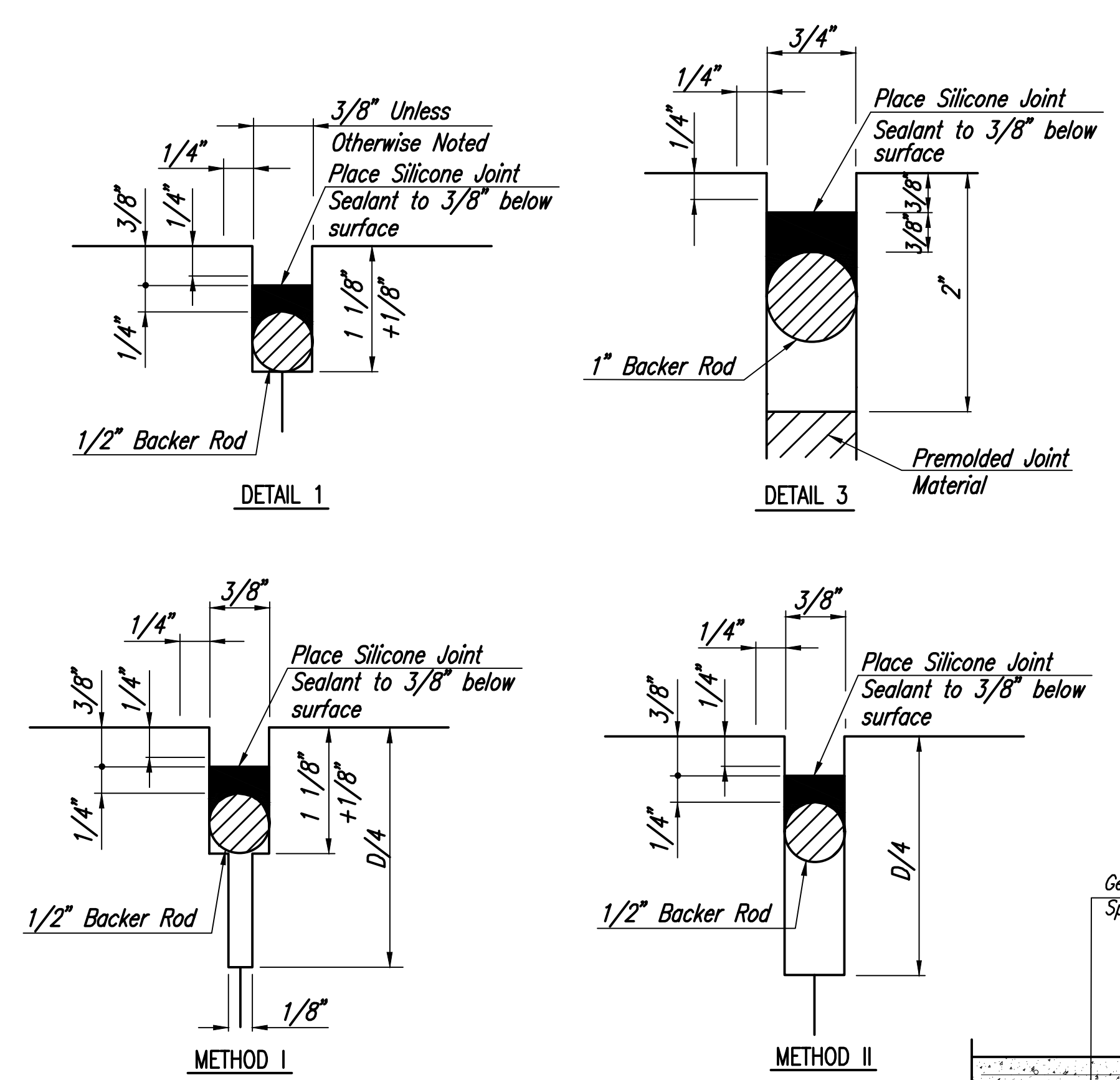
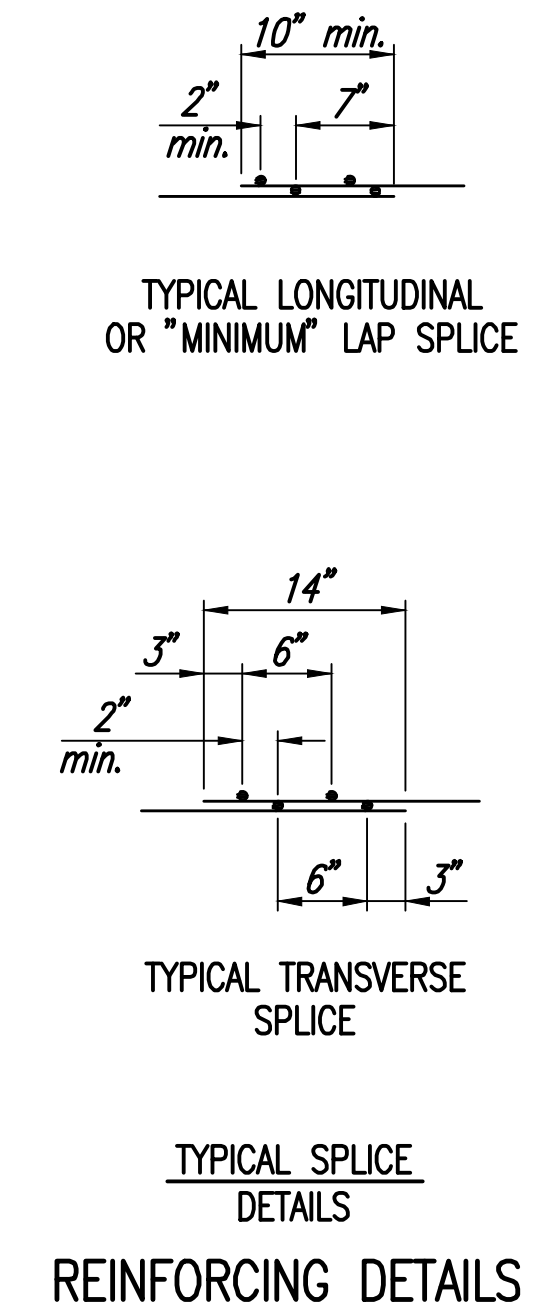


CONCRETE FLUME NOTES

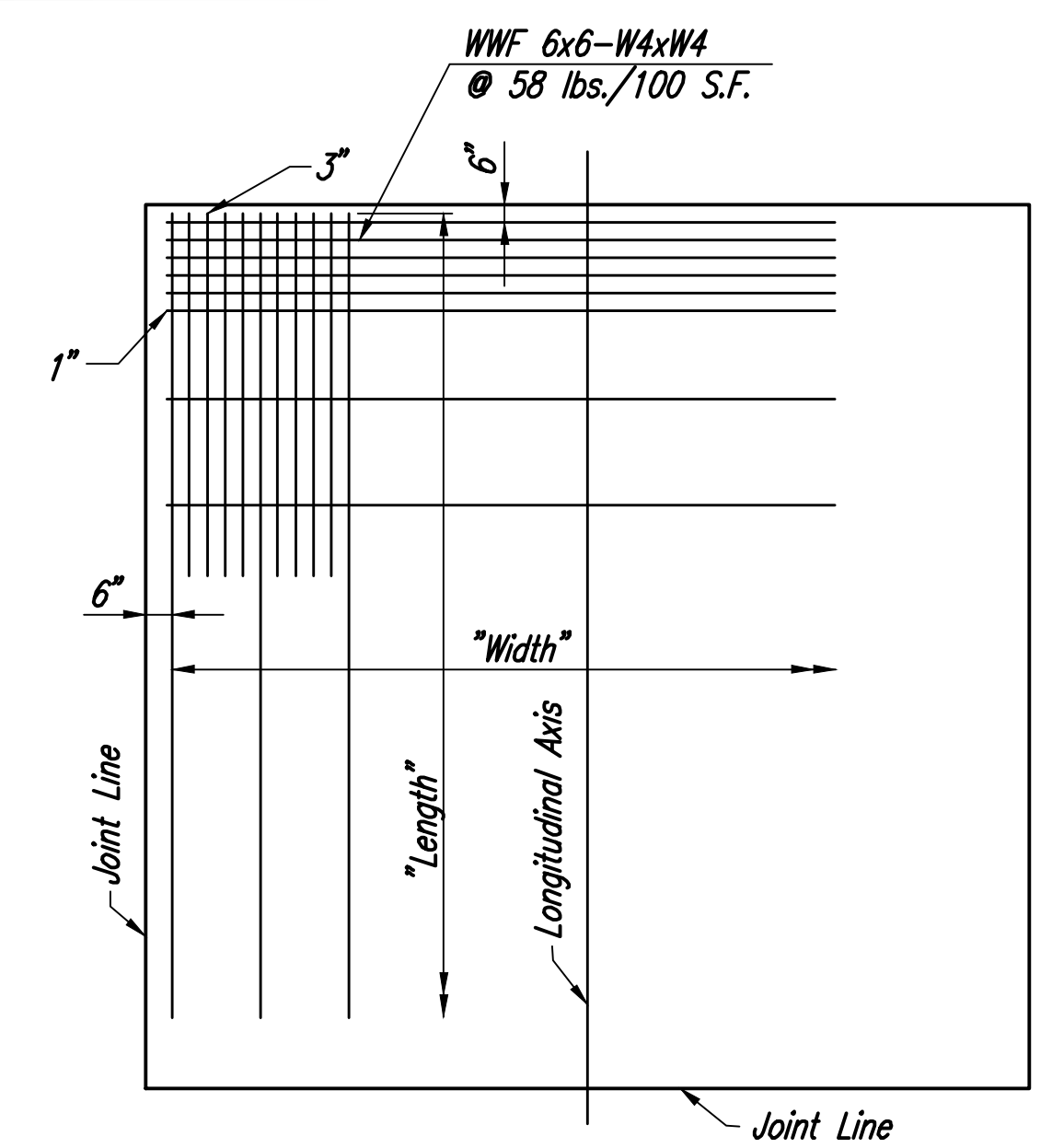
- 1 THE ENTIRE AREA OF THE FLUME TO BE POURED MONOLITHICALLY AND STRUCK OFF WITH A UNIFORM MINIMUM THICKNESS OF 6".
- 2 CONCRETE USED SHALL BE SAME AS THAT USED FOR CURB AND GUTTER.
- 3 NO EXPANSION OR CONTRACTION JOINTS TO BE PLACED WITHIN THE LIMITS OF THE SLOPE DRAIN.
- 4 ALL EXPOSED EDGES SHALL BE FINISHED WITH AN EDGING TOOL.
- 5 ALL REINFORCING STEEL SHALL CONFORM TO ASTM A-615 SPECIFICATION GRADE 60.
- 6 ALL REINFORCEMENT SHALL HAVE A MINIMUM CLEARANCE OF 1.5" UNLESS OTHERWISE NOTED, AND SUPPORTED BY APPROVED CHAIRS.
7. BASE SHALL BE 4" MIN. SUBBASE COURSE.



JOINT SEAL DETAILS

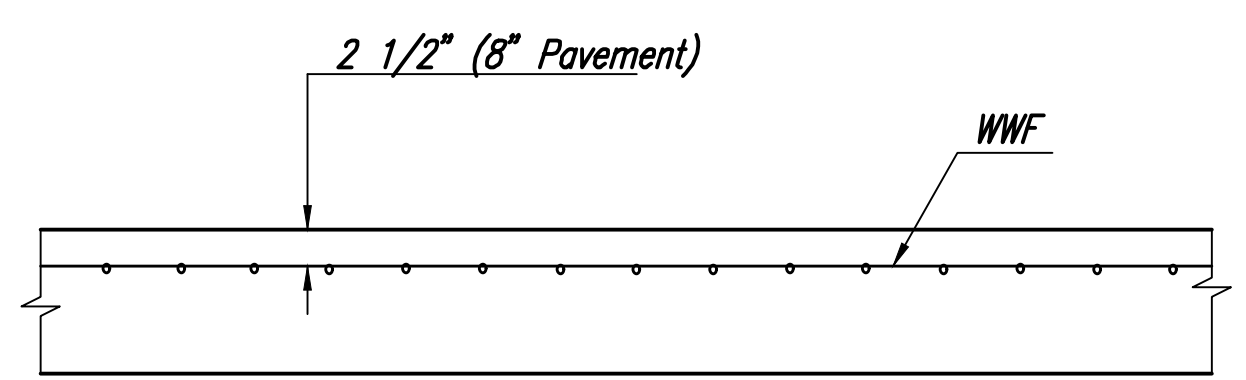


REINFORCING DETAILS



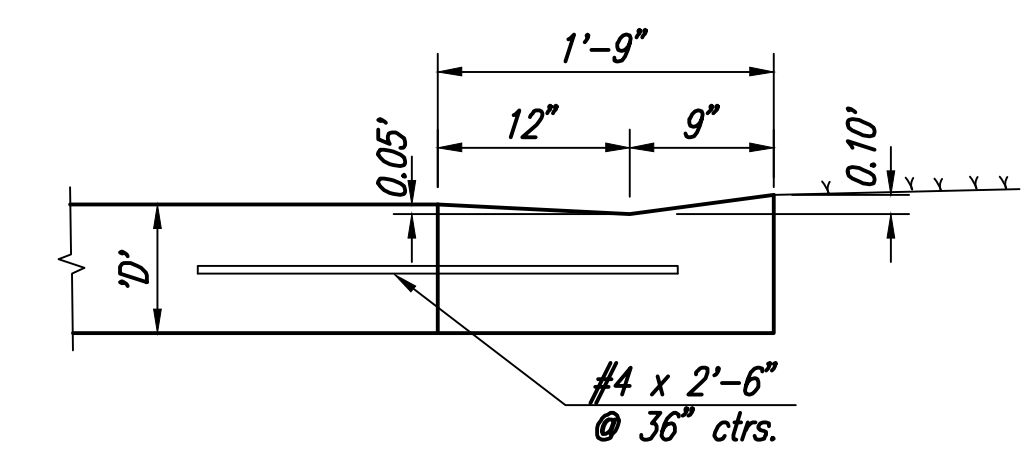
WELDED WIRE FABRIC

REINFORCING FABRIC SHALL BE FURNISHED IN SHEETS. THE CONTRACTOR MAY PROVIDE A DIFFERENT PATTERN OF FABRIC AS LONG AS A MINIMUM OF 0.08 SQ. IN./ FT. OF REINFORCING IS PROVIDED IN EACH DIRECTION. WELDED WIRE FABRIC SHALL BE CUT IN THE FIELD AS REQUIRED TO CONFORM TO THE SHAPE OF THE PANEL TO BE REINFORCED.

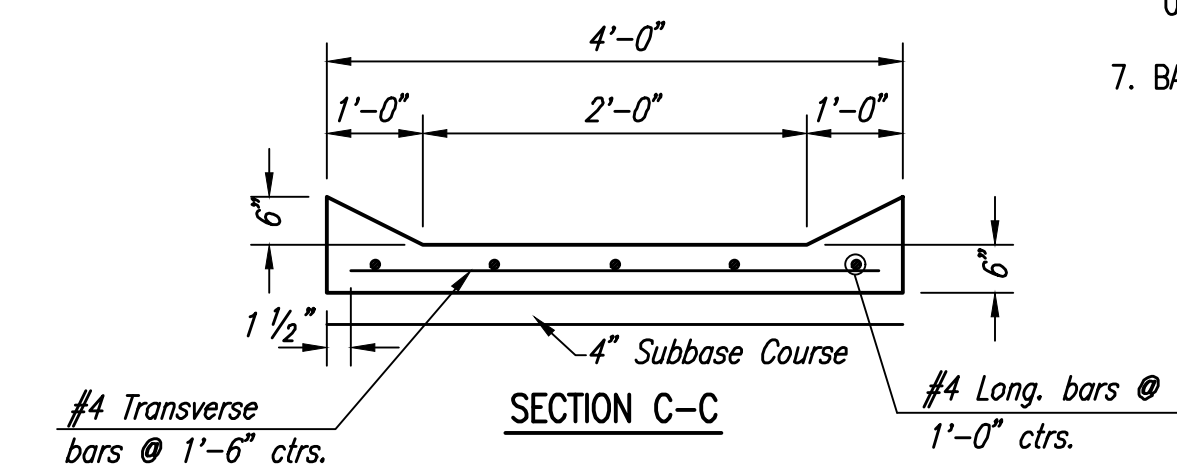


SECTION THRU PAVEMENT

REINFORCING FOR OTHER THAN RECTANGULAR PANELS SHALL BE THE SAME AS DETAILED ABOVE: CUT TO THE APPROPRIATE SHAPE & OVERLAP SPLICE AS REQUIRED.

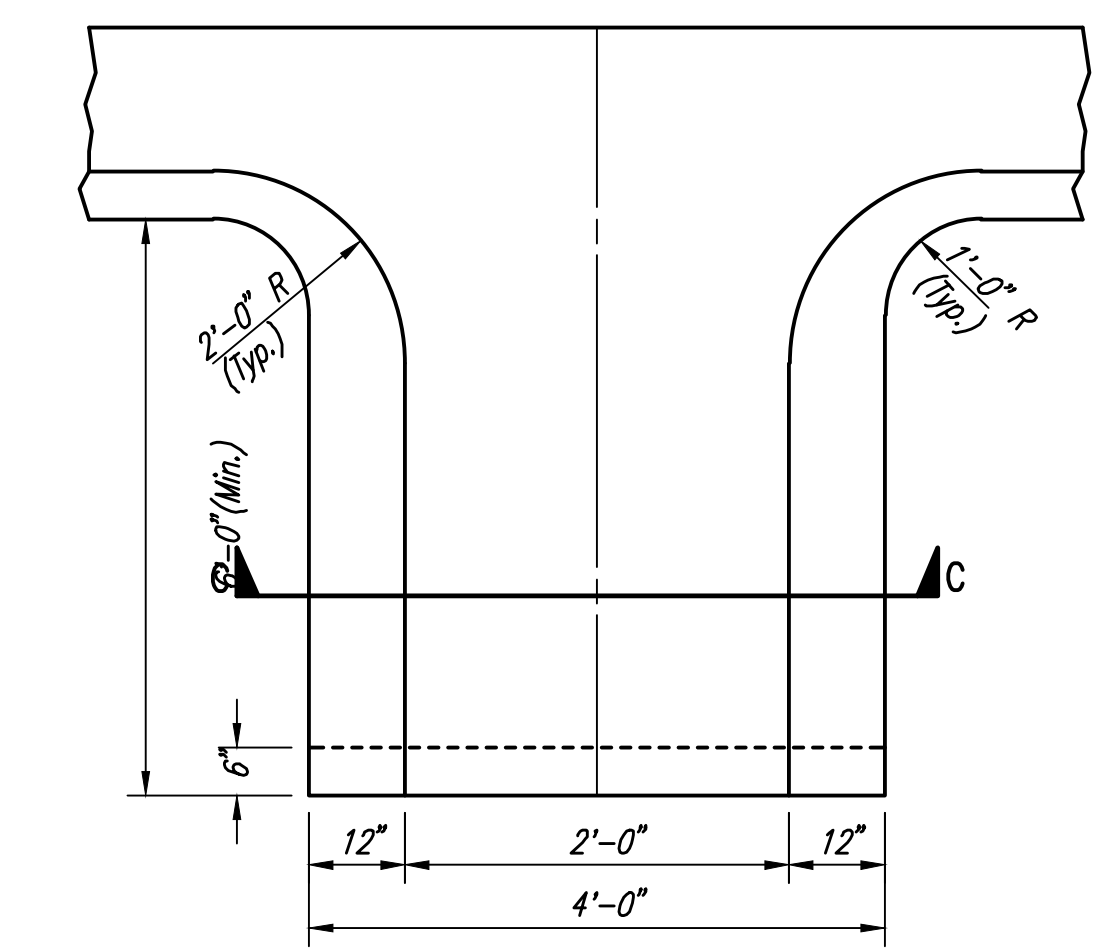


SPECIAL GUTTER DETAIL



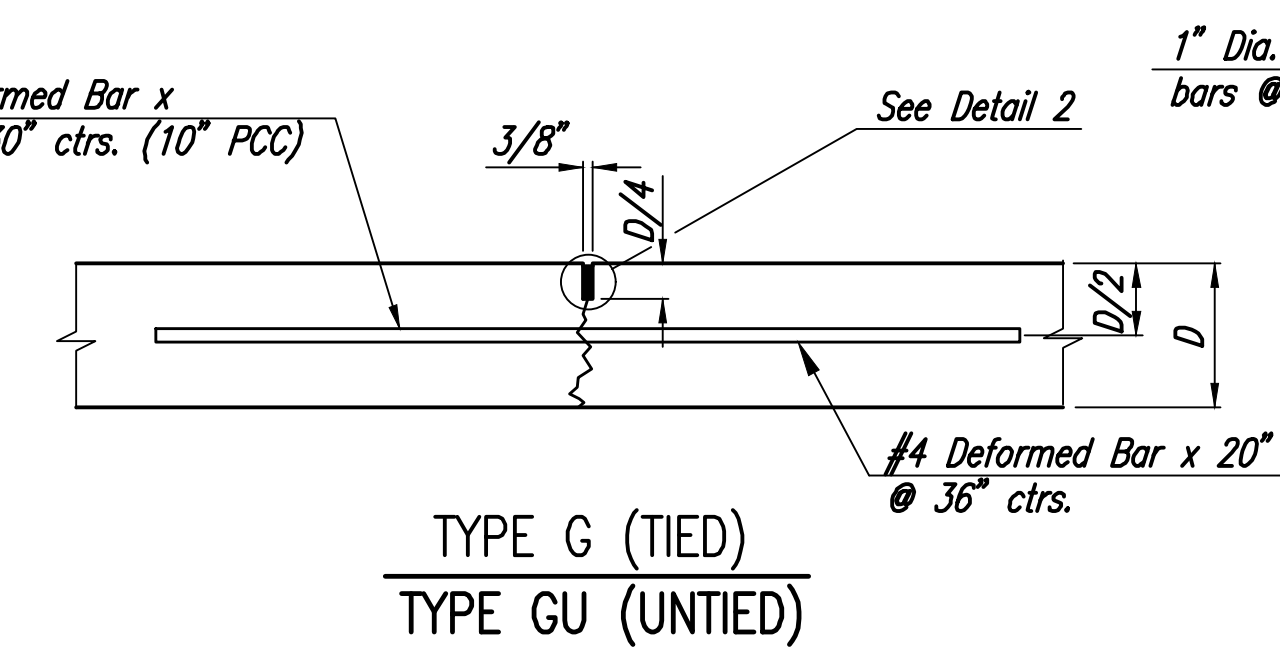
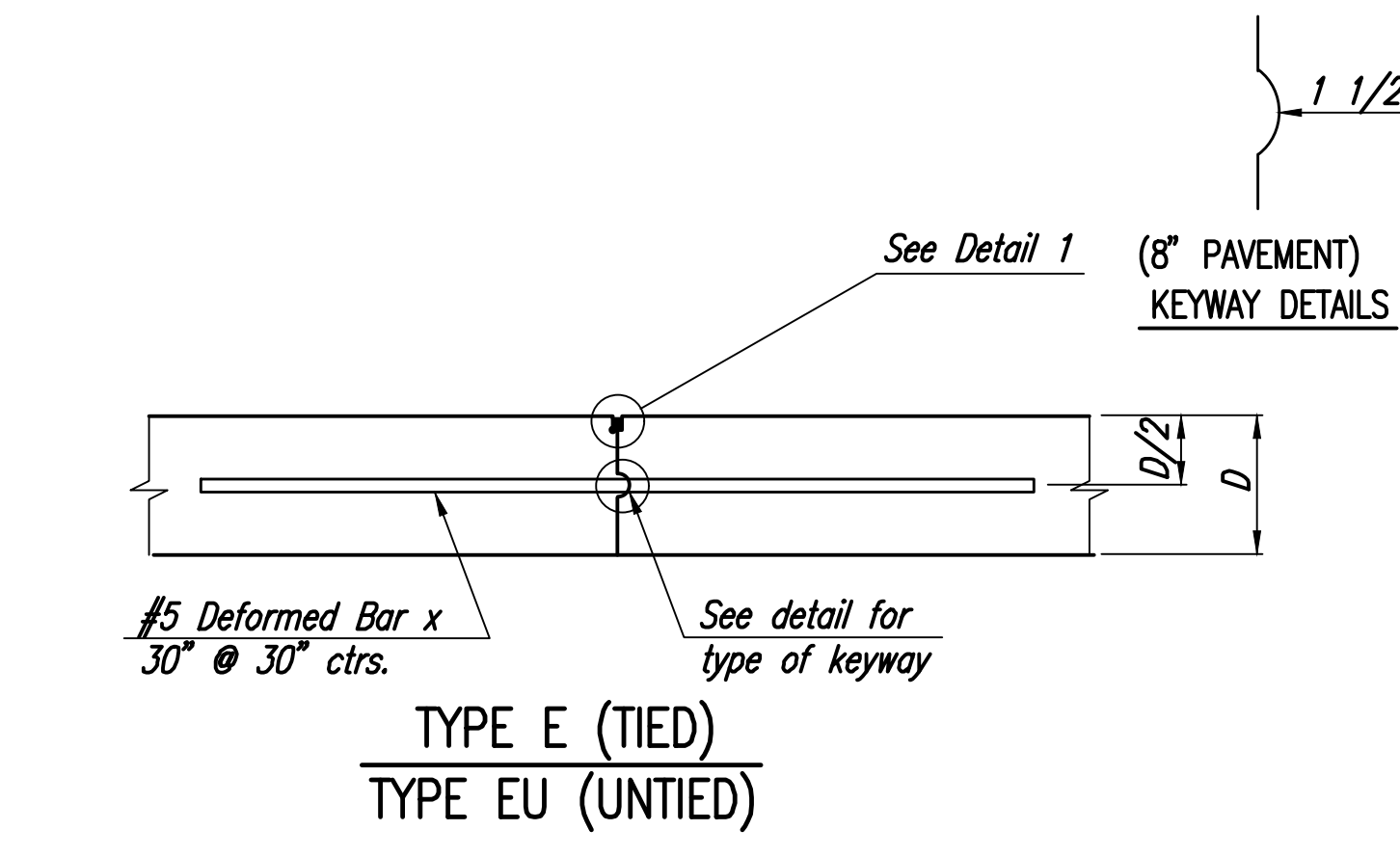
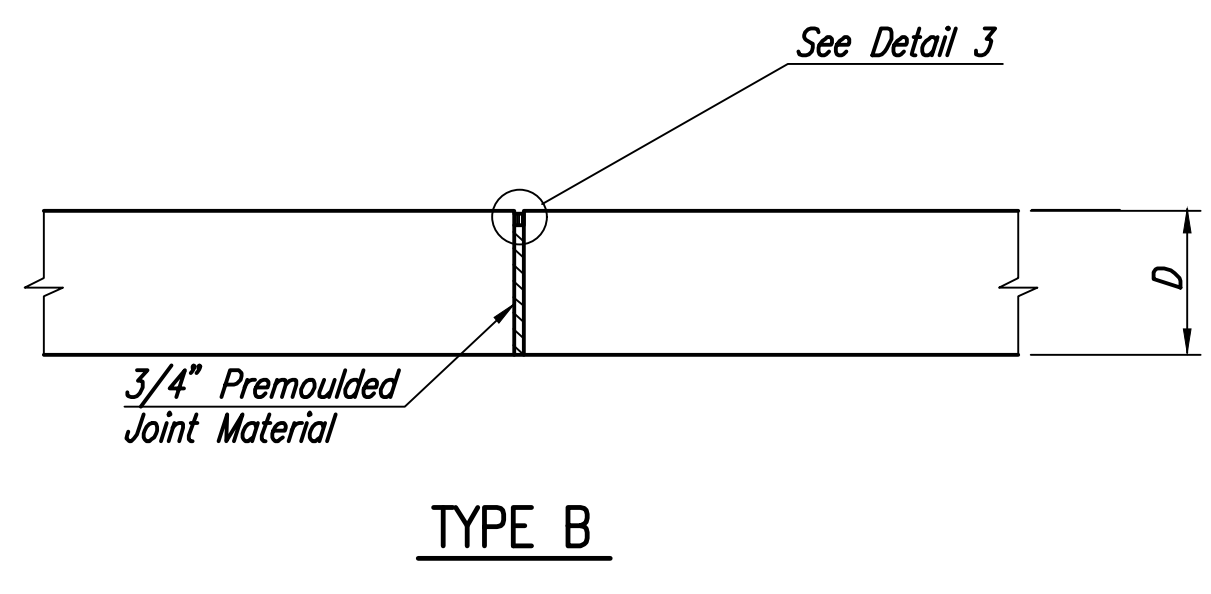
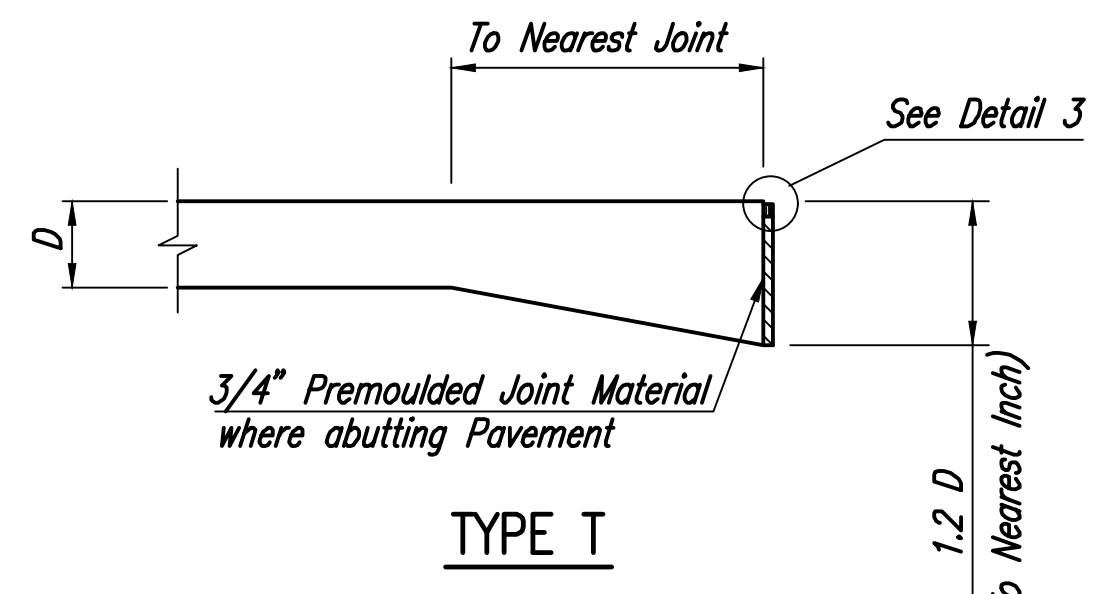
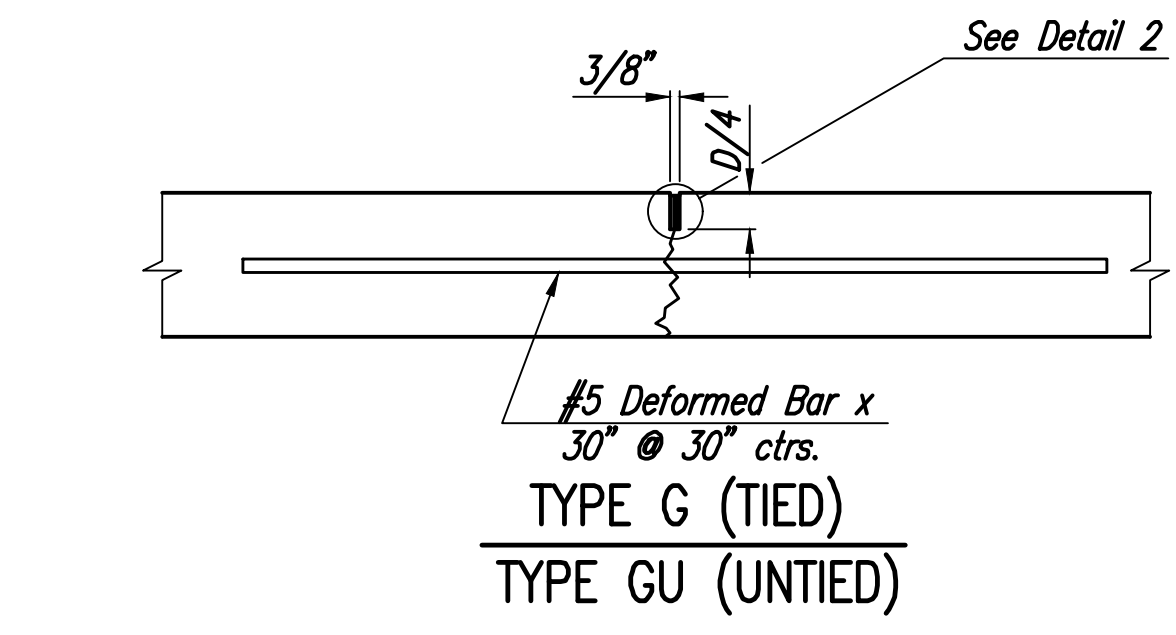
SECTION C-C

END ELEVATION DOWNSTREAM END

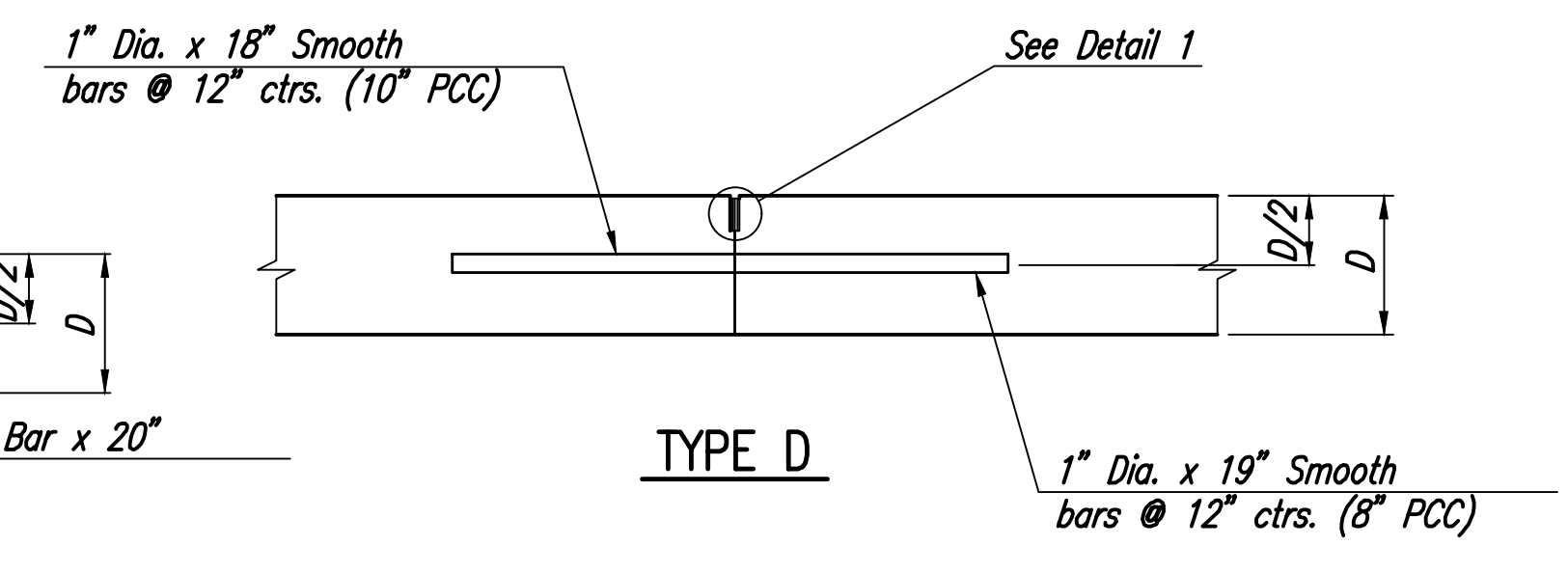



CONCRETE FLUME INLET DETAIL

No Scale



JOINT DETAILS



No.	Revision	By	Date
PUMP STATION 37TH ST GENERATOR PAVEMENT DETAILS MIKE JACOBS - SUPERINTENDENT OF PRODUCTION AND PUMPING CITY OF WICHITA PROJECT NO. 448-90903  PROFESSIONAL ENGINEERING CONSULTANTS, P.A. 303 SOUTH TOPEKA WICHITA, KS 67202 316-262-2891 www.pec1.com			
Designed by	DRC	Job No.	06030-006
Drawn by	SAD	Date	June 2018
			Sht. C3.1

5/20/18 12:20:13 PM BY JHS
 PLAN SCALE: 1"=1'-0" (1/4"=1'-0")
 DRAWING: PAVEMENT DETAILS
 PROJECT: PUMP STATION 37TH ST GENERATOR
 SHEET: C3.1