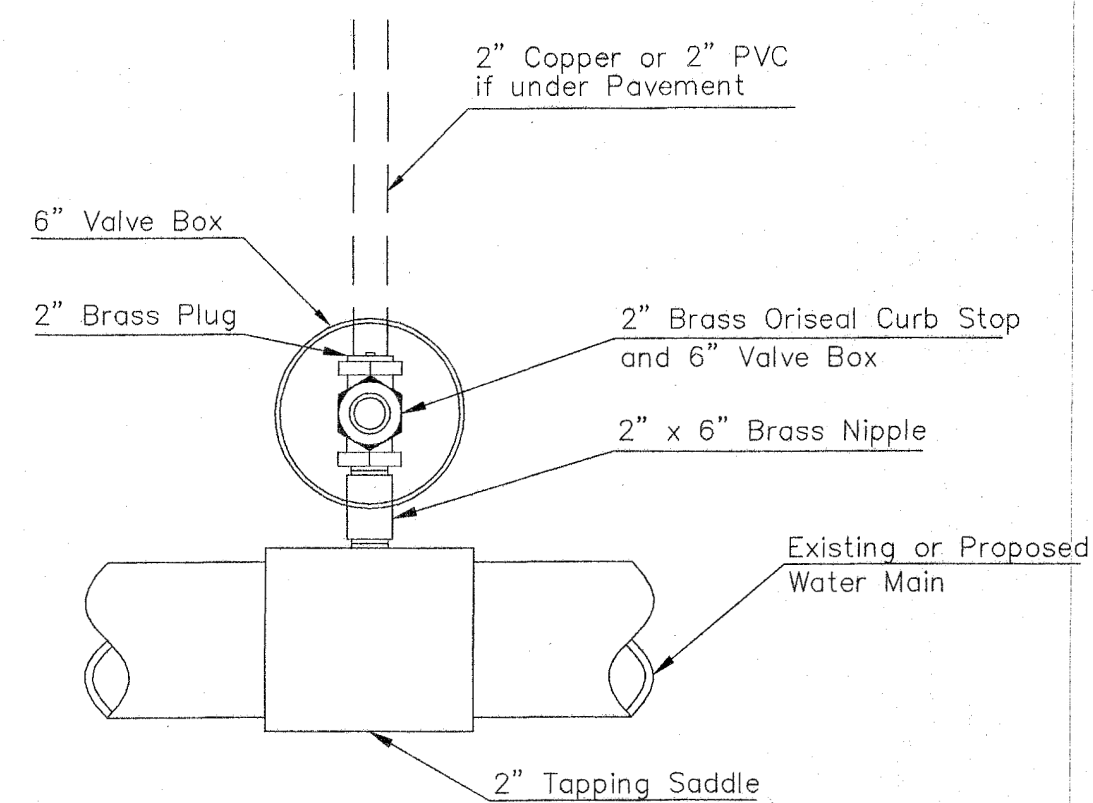
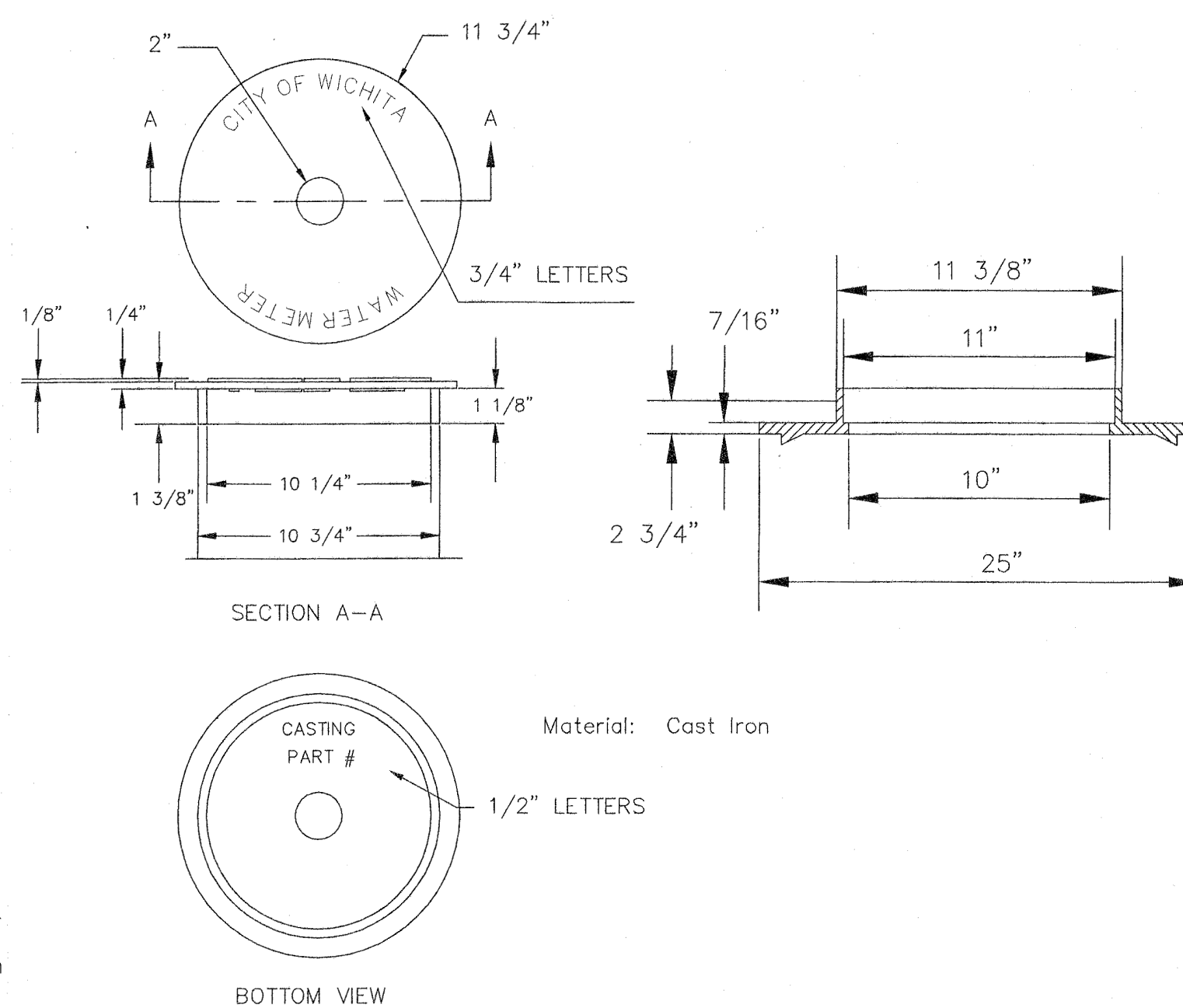


TYPICAL 1" METER SETTING



Note: Where the 2" Service Outlet Assembly is to be used to connect a 2" main to another main, the 2" valve shall be a 2" IPT Gate Valve. 2" ball or globe valves shall not be approved for this use.

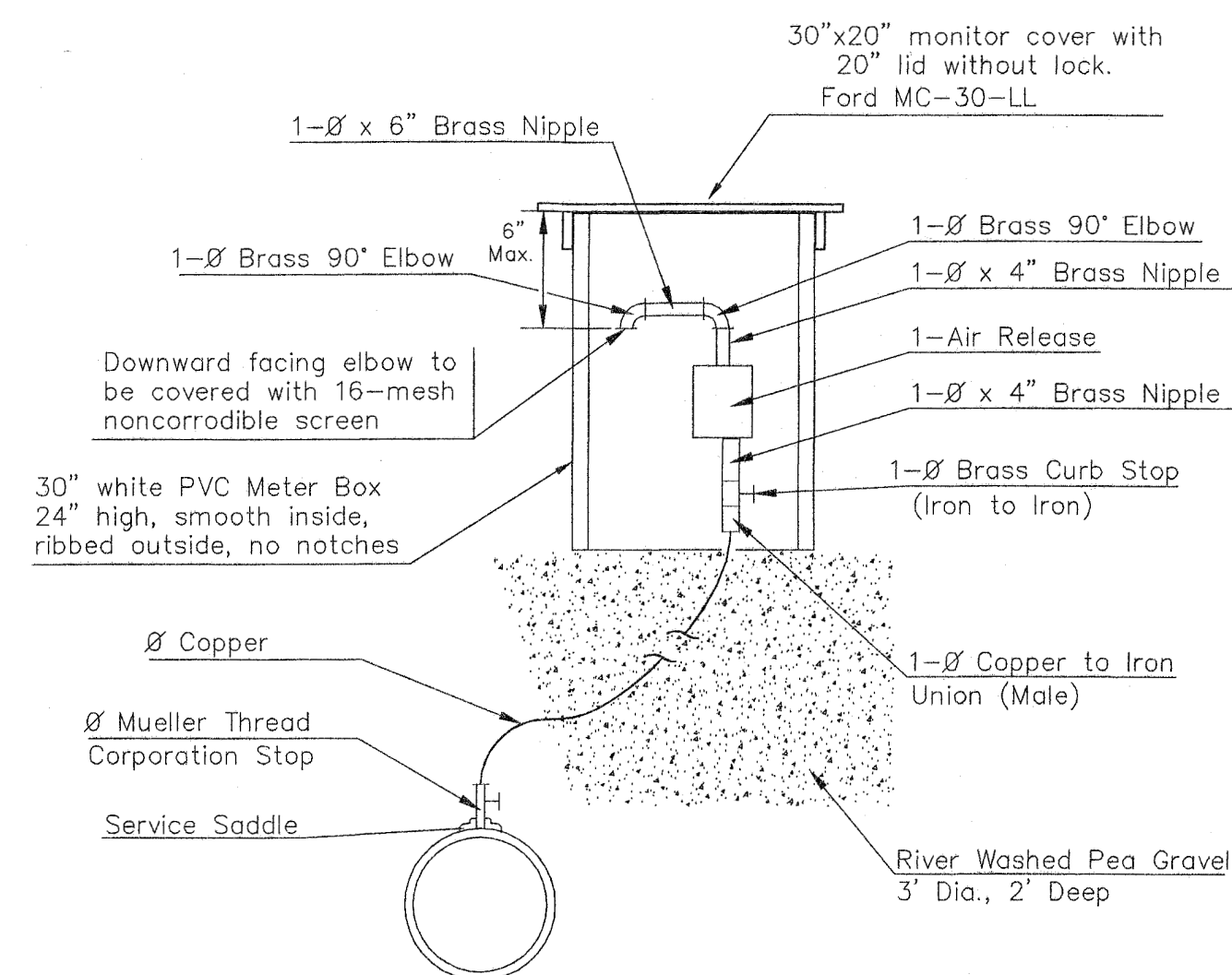
2" SERVICE OUTLET ASSEMBLY  
TOP VIEW



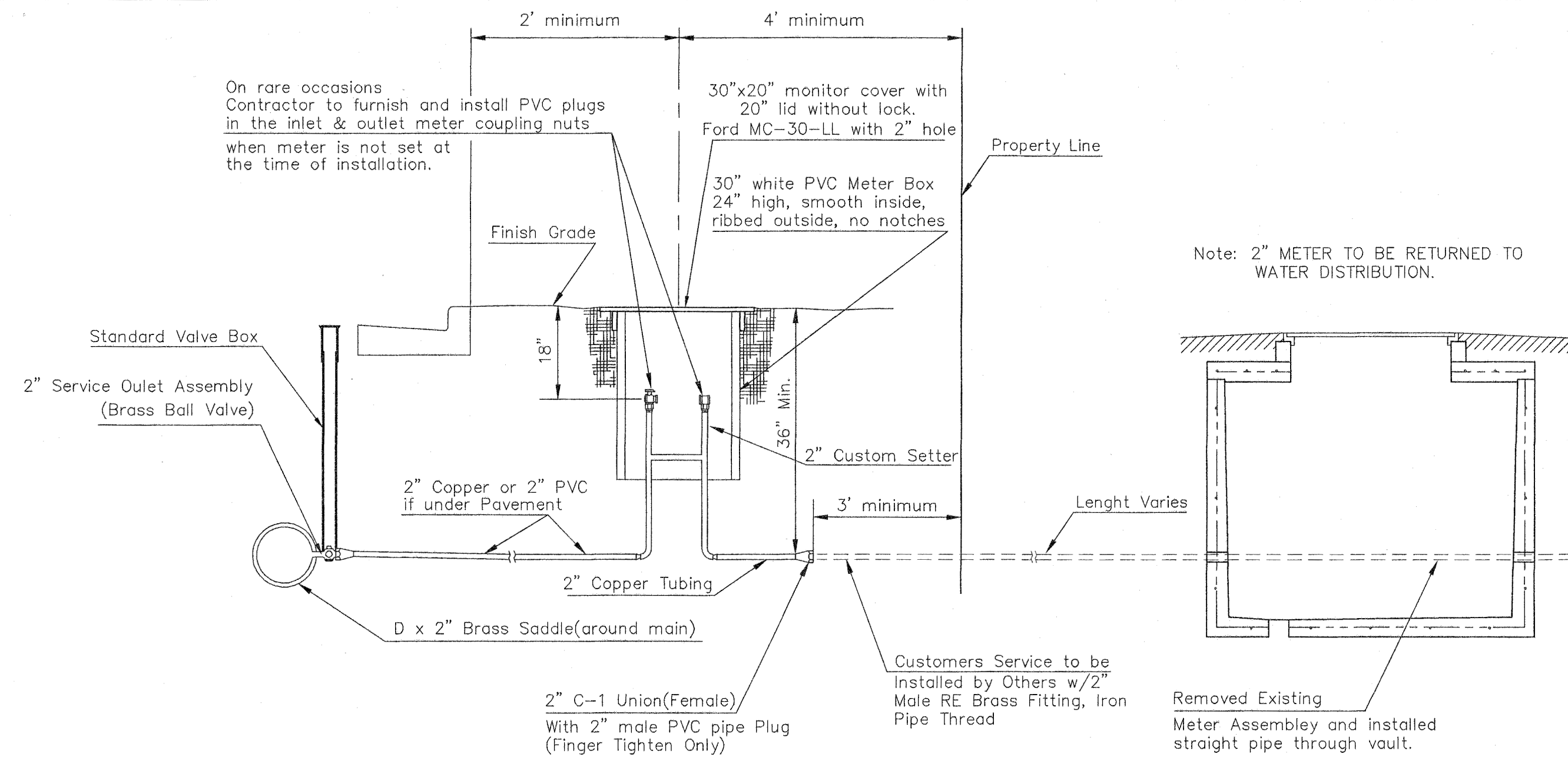
- 1 - Ø Mueller Thread Corporation Stop
- Ø Type "K" Copper Tubing
- 1 - Ø Copper to Iron Union (Male)
- 1 - Ø Brass Curb Stop (Iron to Iron)
- 2 - Øx4" Brass Nipple
- Air Release
- 2 - Ø Brass Elbows (90°)
- 1 - 1"x6" Brass Nipple
- 1 - 30" Monitor Cover
- 1 - 20" Meter Lid

NOTE:

THE 1 1/2" AIR RELEASE ASSEMBLY WILL TYPICALLY BE USED ON WATER MAINS 24" AND SMALLER, AS SPECIFICALLY DESIGNATED IN THE PLANS. COMBINATION AIR RELAEASE ASSEMBLIES WILL BE SPECIFICALLY DESIGNED FOR PROJECTS WITH LARGER MAINS, AND WILL BE INCLUDED IN THE PLANS.



MATERIALS FOR 1" or 2" AIR RELEASE ASSEMBLY  
Ø = 1" or 2"

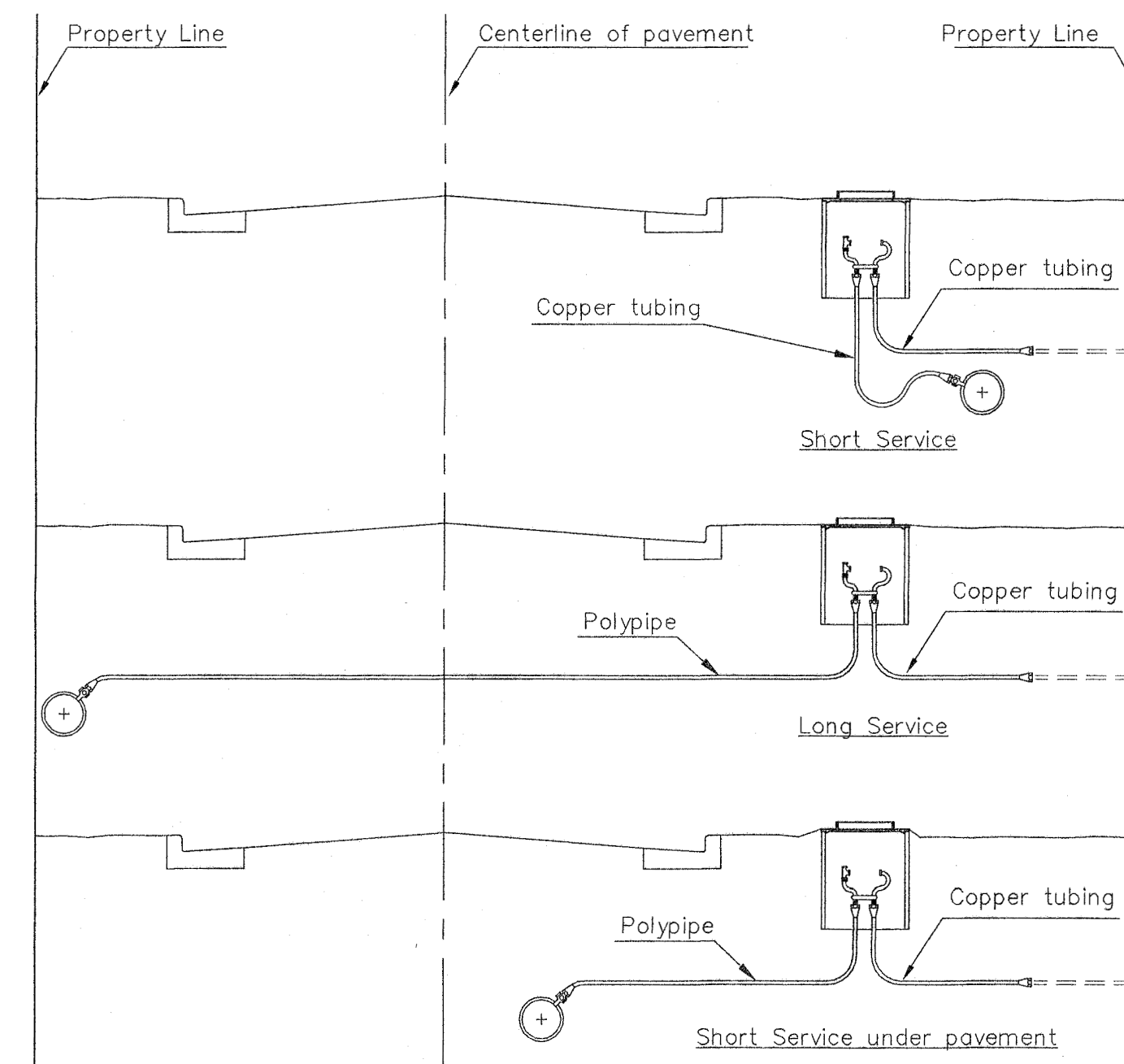


TYPICAL 2" METER SETTING

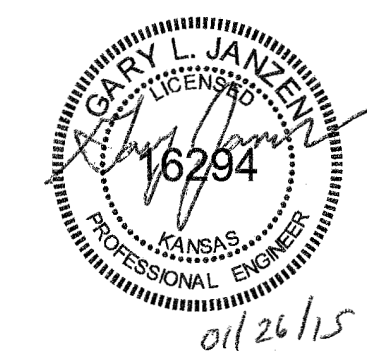
Note: ONE VALVE STEM EXTENSION FOR EACH VALVE BURIED GREATER THAN 5'.

TYPICAL 2" METER SETTING INVOLVING EXISTING 2" METER VAULT

Note: ONE VALVE STEM EXTENSION FOR EACH VALVE BURIED GREATER THAN 5'.



SERVICE TYPES



|  |                      |                   |
|--|----------------------|-------------------|
| <b>STANDARD WATER SERVICE DETAIL</b>   |                      |                   |
| CITY ENGINEER<br><b>GARY JANZEN, P.E.</b>  |                      |                   |
| PROJECT NUMBER<br>448-90720  | OCA NUMBER<br>776068 | DATE              |
| CITY ENGINEER'S OFFICE<br>CITY HALL - SEVENTH FLOOR<br>455 NORTH MAIN STREET<br>WICHITA, KANSAS 67202-1620<br>(316) 268-4501 |                      | SHEET<br>06 OF 52 |

REVISED: JANUARY 2015