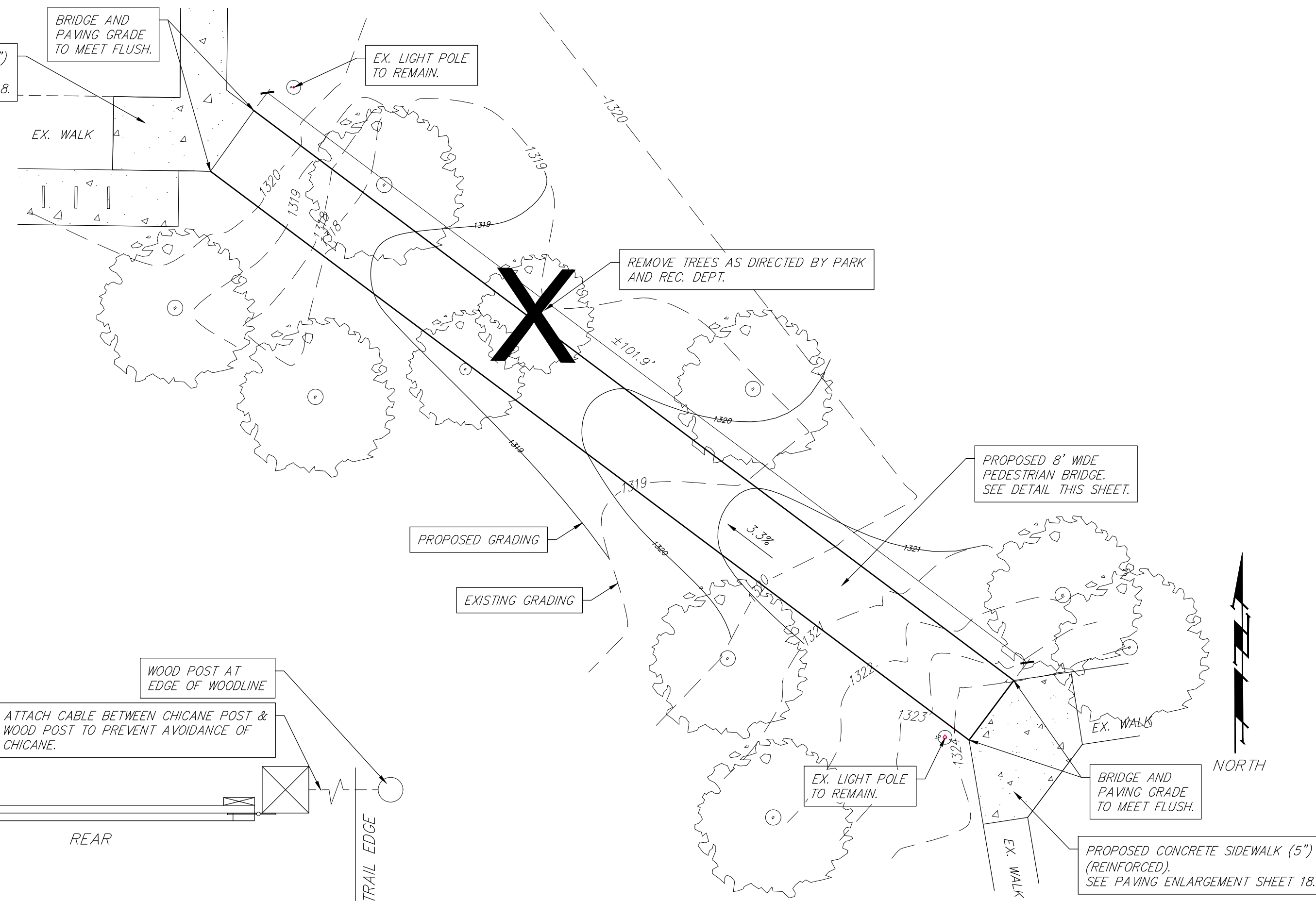
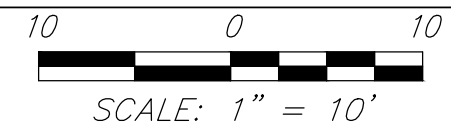




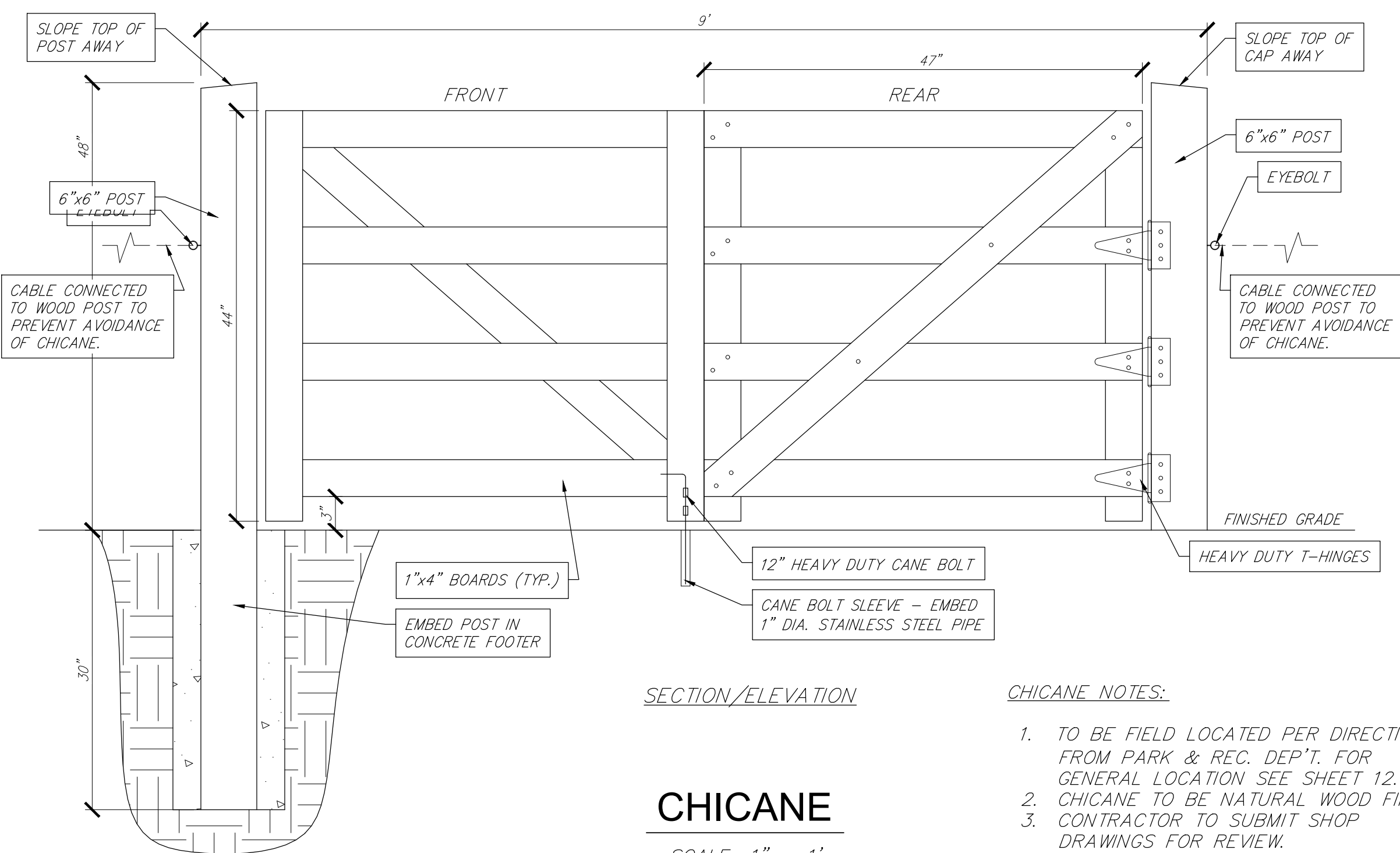
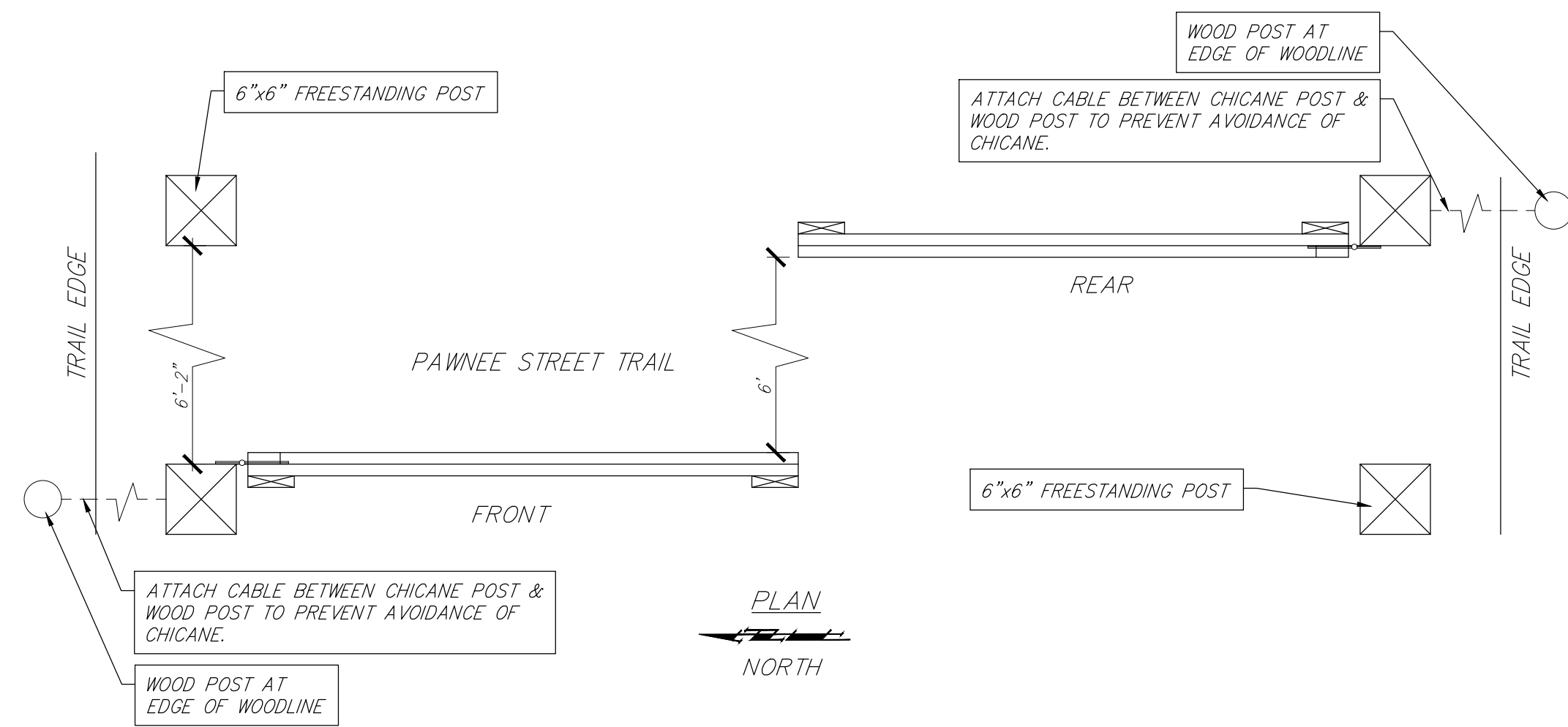
CHICANE PRECEDENT IMAGE



WOOD BRIDGE SITE PLAN
(BRIDGE IS NOT IN CONTRACT. PAVING IS IN CONTRACT.)



BRIDGE PRECEDENT IMAGES

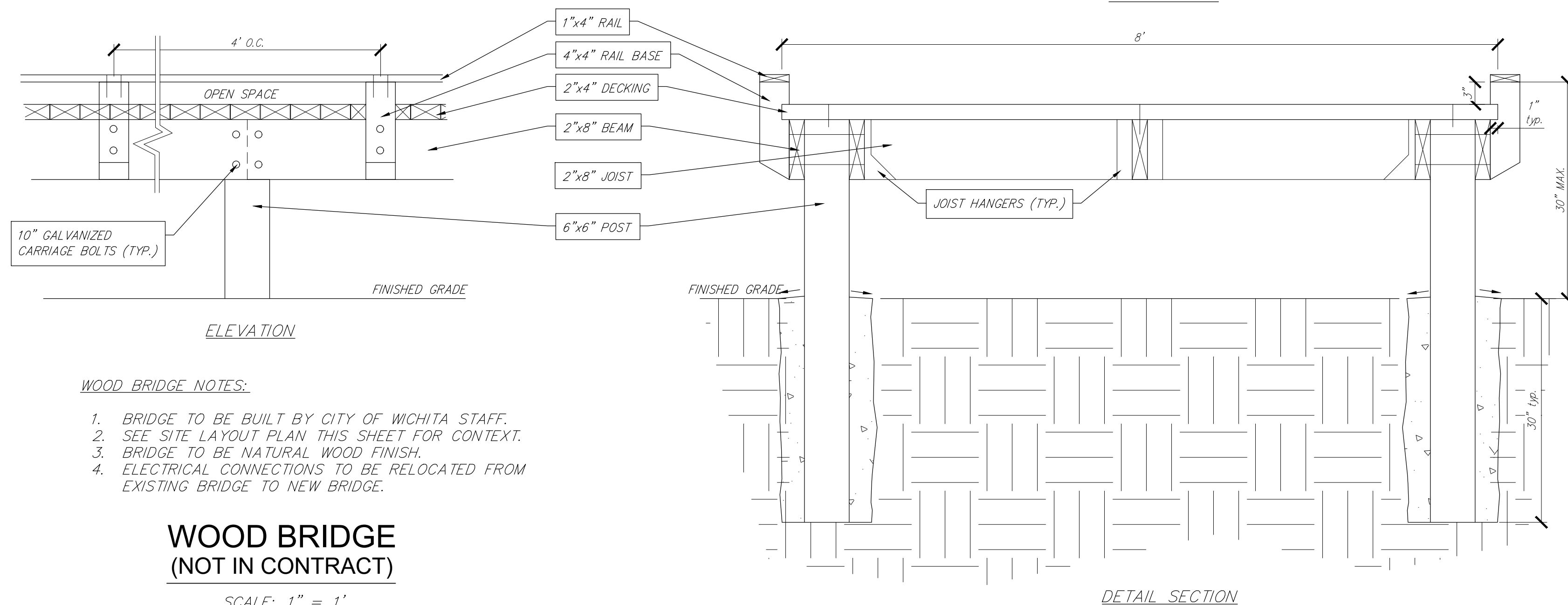


CHICANE

SCALE: 1" = 1'

CHICANE NOTES:

1. TO BE FIELD LOCATED PER DIRECTION FROM PARK & REC. DEPT'. FOR GENERAL LOCATION SEE SHEET 12.
2. CHICANE TO BE NATURAL WOOD FINISH.
3. CONTRACTOR TO SUBMIT SHOP DRAWINGS FOR REVIEW.



WOOD BRIDGE NOTES:

1. BRIDGE TO BE BUILT BY CITY OF WICHITA STAFF.
2. SEE SITE LAYOUT PLAN THIS SHEET FOR CONTEXT.
3. BRIDGE TO BE NATURAL WOOD FINISH.
4. ELECTRICAL CONNECTIONS TO BE RELOCATED FROM EXISTING BRIDGE TO NEW BRIDGE.

WOOD BRIDGE
(NOT IN CONTRACT)

SCALE: 1" = 1'