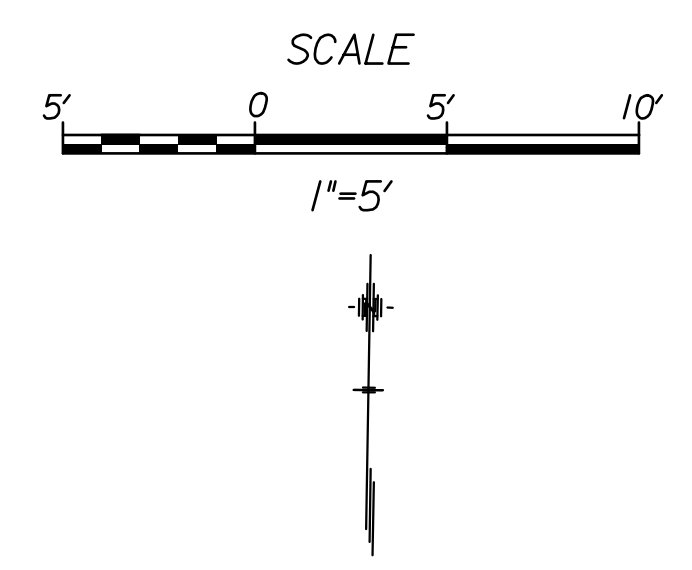
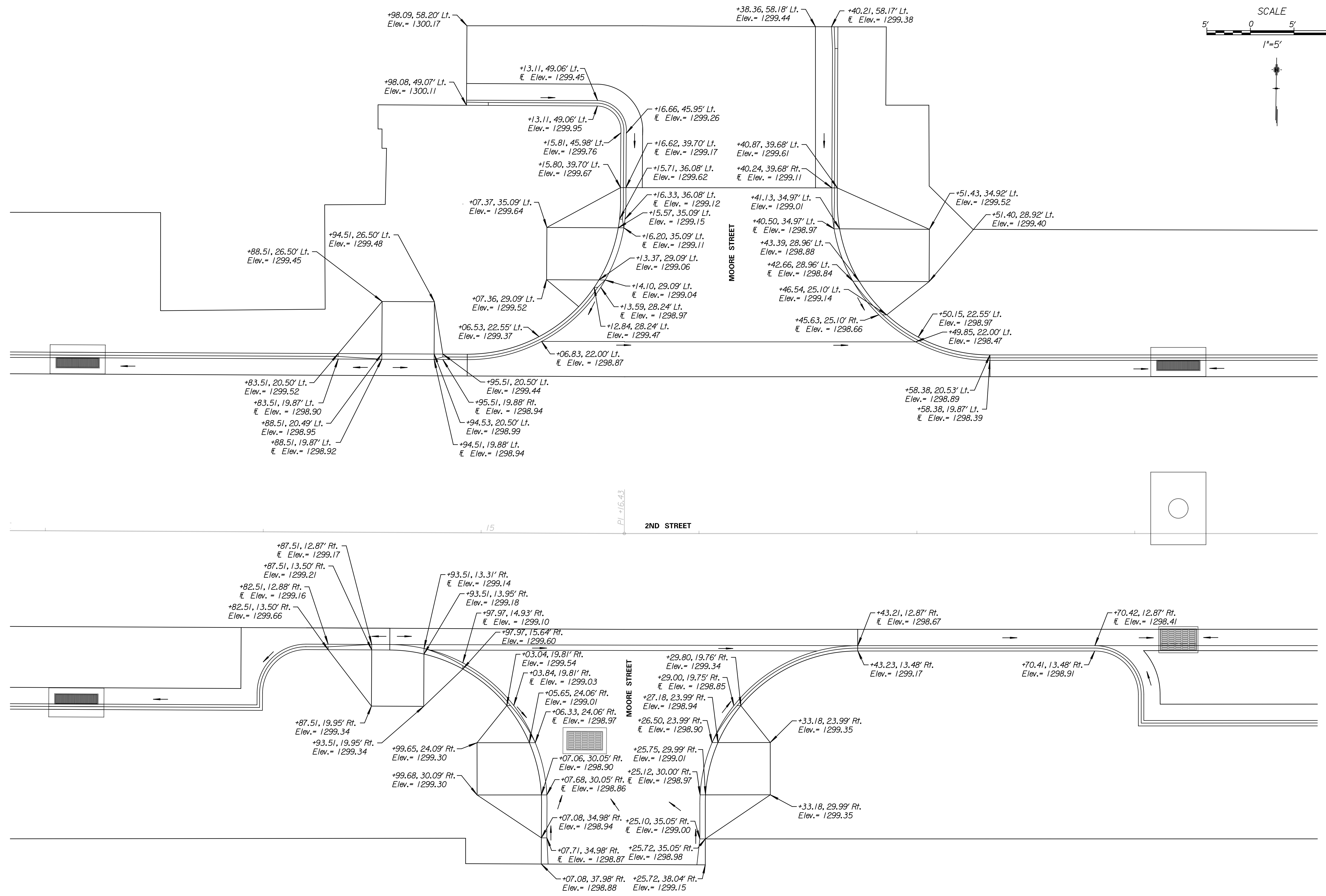


7/11/2018 11:24:00 PM - c:\transystems\proj\local\transystems\proj\taummet\044377\CLAY\M02-108.dgn



Tran Systems

245 NORTH WACO
SUITE 222
WICHITA, KANSAS 67202
PHONE: 316-303-3000
FAX: 316-303-0166

CONSULTANTS:

LK ARCHITECTURE, INC.
345 RIVERVIEW
SUITE 200
WICHITA, KANSAS 67208
PHONE: 316-268-0230

2ND STREET IMPROVEMENTS
SANTA FE TO WASHINGTON IN OLD TOWN

WICHITA, KANSAS

CITY OF
WICHITA

REVISIONS:	MARK	DATE	DESCRIPTION

PROJ NO: 472-85284
SCALE: 1"=5'
DATE: 7/11/2018
DESIGNED BY: TAU
DRAWN BY: TAU
CHECKED BY: MDB

SHEET TITLE:
**2ND STREET & MOORE STREET
INTERSECTION
LAYOUT DETAILS**

SHEET NO.
38
SHEET 38 OF 103