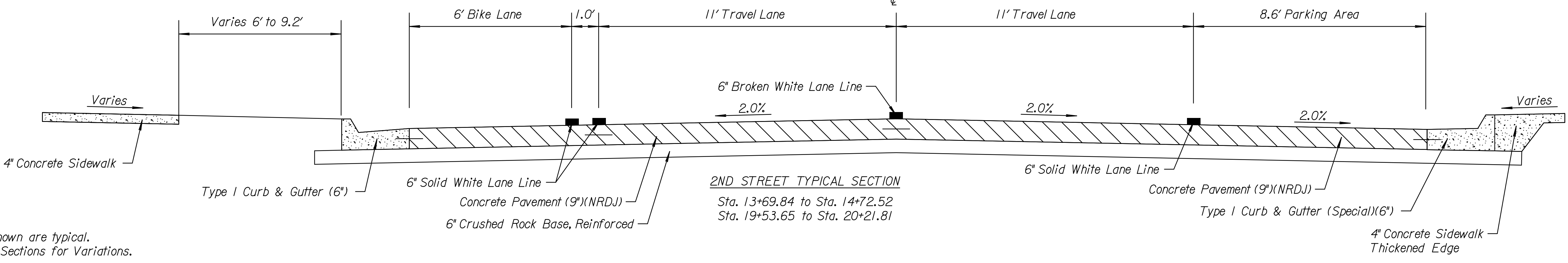
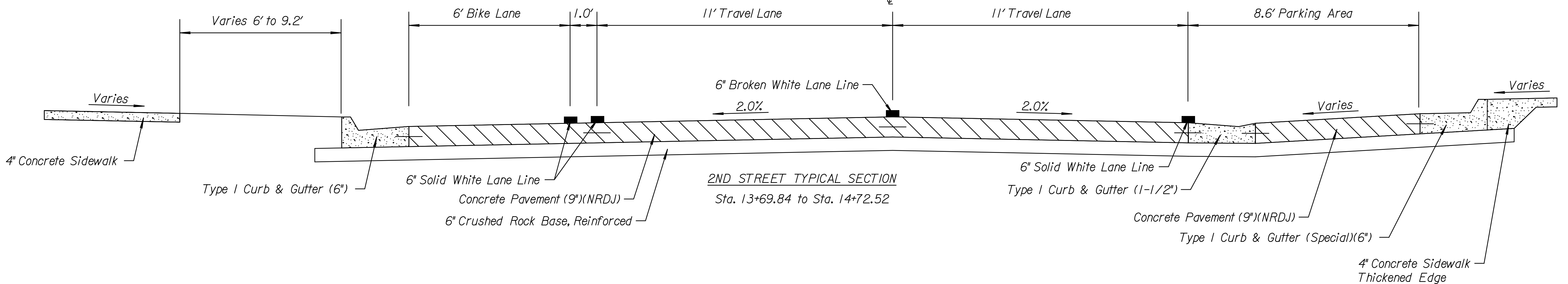
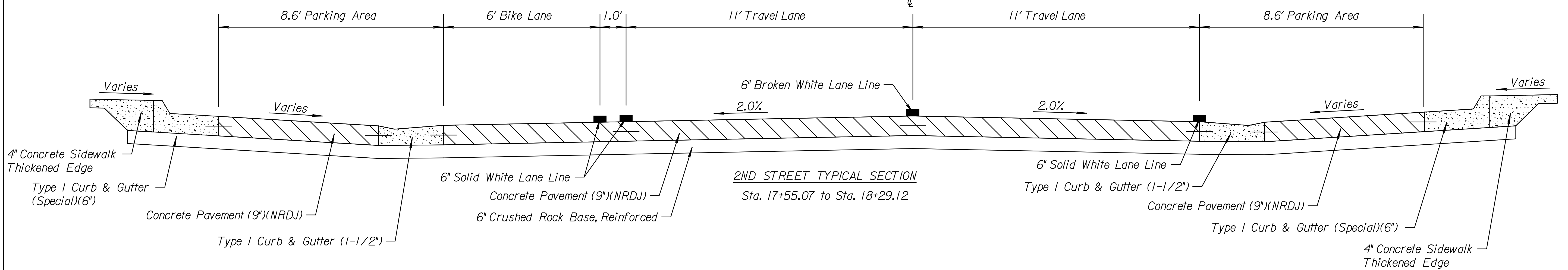
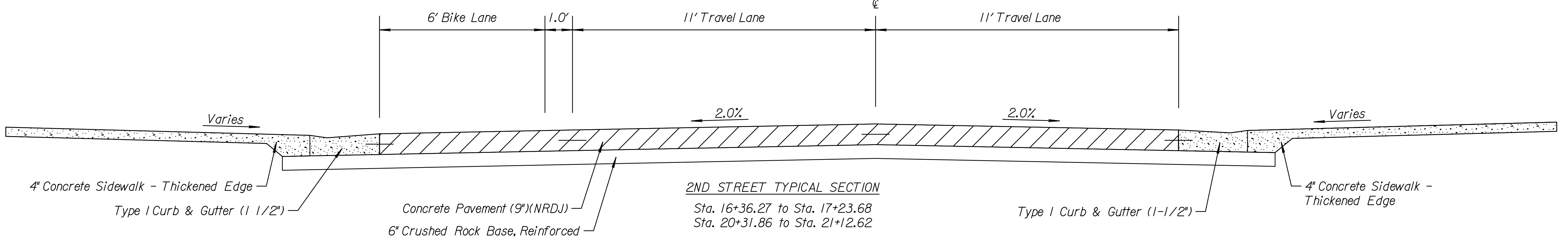


| REVISIONS: | MARK | DATE | DESCRIPTION |
|------------|------|------|-------------|
| | | | |
| | | | |
| | | | |

PROJ NO: 472-85284
 SCALE: NTS
 DATE: 7/11/2018
 DESIGNED BY: TAU
 DRAWN BY: TAU
 CHECKED BY: MDB

SHEET TITLE:
**TYPICAL SECTIONS
 2ND STREET
 IMPROVEMENTS**

SHEET NO.
5
 SHEET 5 OF 103



Sections shown are typical.
 See Cross Sections for Variations.

7/11/2018 11:03 PM c:\tran\systems\paw_bocall\transys\paw\taummed\0494377\c:\typ\m02-101.dgn