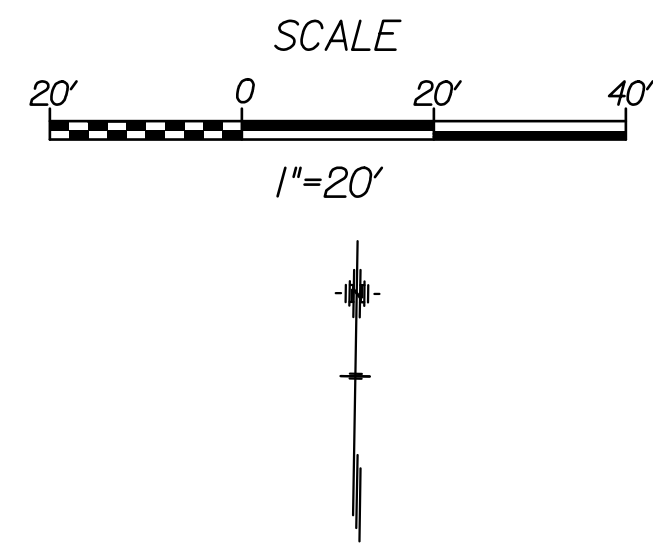


LEGEND

- Conduit Proposed (Trenched)
- Conduit Proposed (Bored)
- Communication Duct Service Box (Proposed)

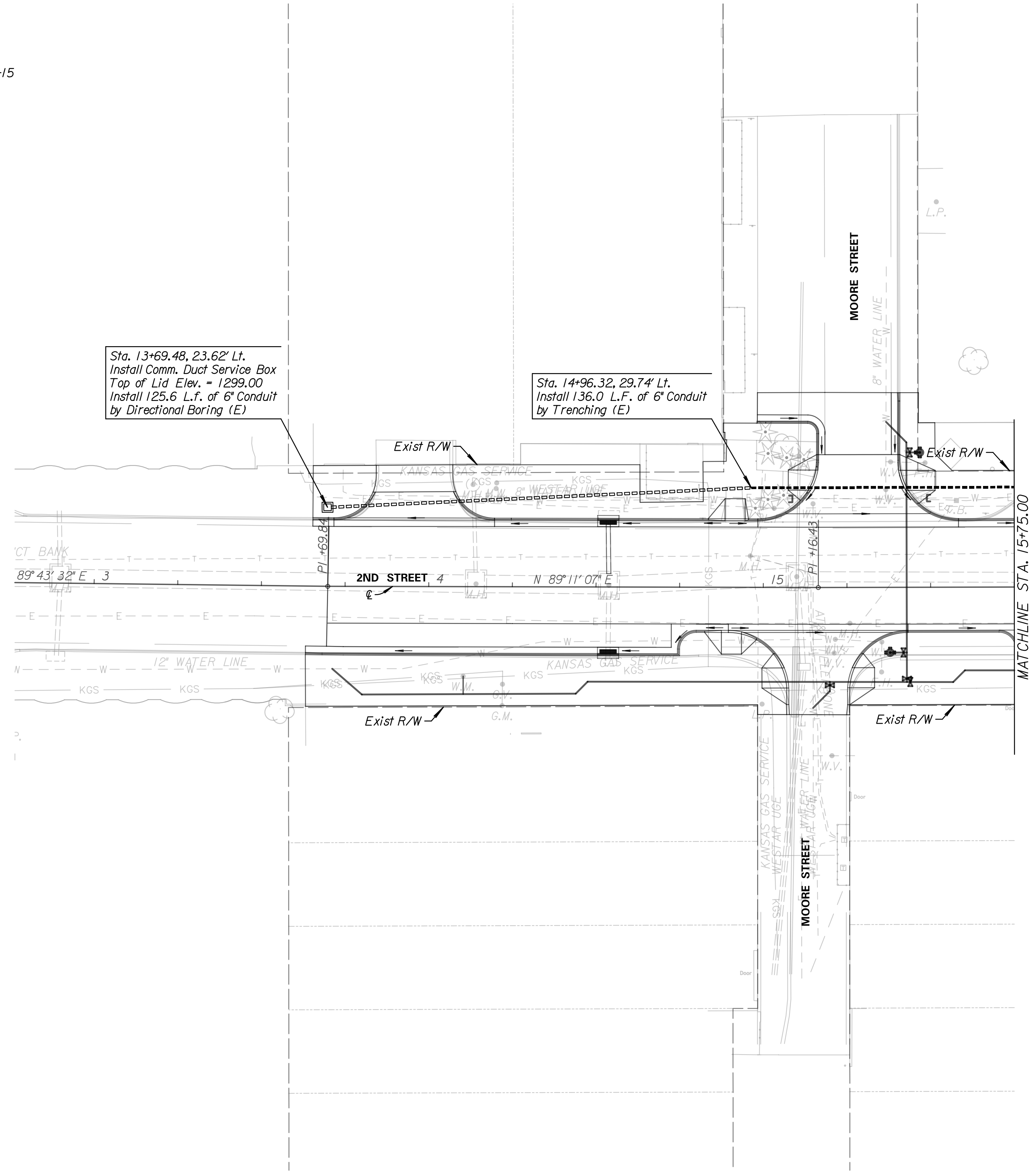


Device and conduit symbolat on plan sheet is not shown to scale for plan clarity. Do not sacale locations from plan sheet.

Existing features and utilities are shown from available information and should be considered approximate only. It is the responsibility of the Contractor to verify utilities and their exact location prior to consturciton.

For 2nd Street Plan Sheets, See Sheets,16-32

For Storm Sewer Plan & Profile Sheets, See Sheets 6-15



Sta. 13+69.48, 23.62' Lt.
Install Comm. Duct Service Box
Top of Lid Elev. = 1299.00
Install 125.6 L.f. of 6" Conduit
by Directional Boring (E)

Sta. 14+96.32, 29.74' Lt.
Install 136.0 L.F. of 6" Conduit
by Trenching (E)

Tran Systems
245 NORTH WACO
SUITE 222
WICHITA, KANSAS 67202
PHONE: 316-303-3000
FAX: 316-303-0166

CONSULTANTS:
LK ARCHITECTURE, INC.
345 RIVERVIEW
SUITE 200
WICHITA, KANSAS 67208
PHONE: 316-268-0230

2ND STREET IMPROVEMENTS
SANTA FE TO WASHINGTON IN OLD TOWN
WICHITA, KANSAS
CITY OF WICHITA

REVISIONS:	MARK	DATE	DESCRIPTION

PROJ NO: 472-85284
SCALE: 1"=20'
DATE: 7/11/2018
DESIGNED BY: TAU
DRAWN BY: TAU
CHECKED BY: MDB

SHEET TITLE:
**2ND STREET
ITS IMPROVEMENTS
STA. 13+63.37
TO STA. 15+75.00**

SHEET NO.
72
SHEET 72 OF 103