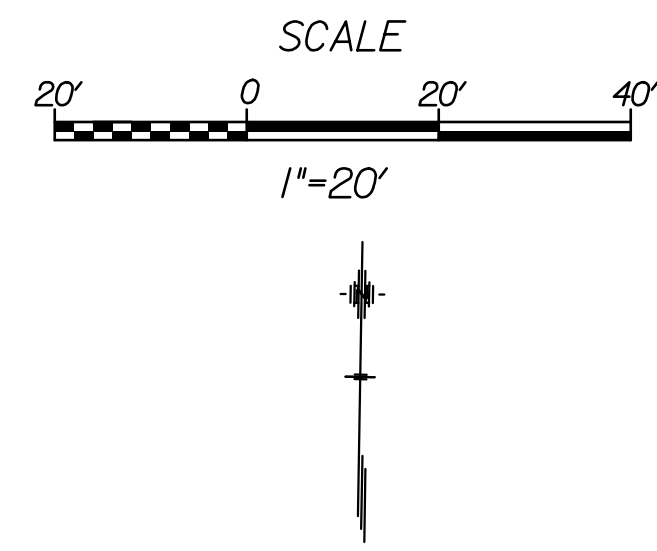


LEGEND

- Conduit Proposed (Trenched)
- Conduit Proposed (Bored)
- Communication Duct Service Box (Proposed)

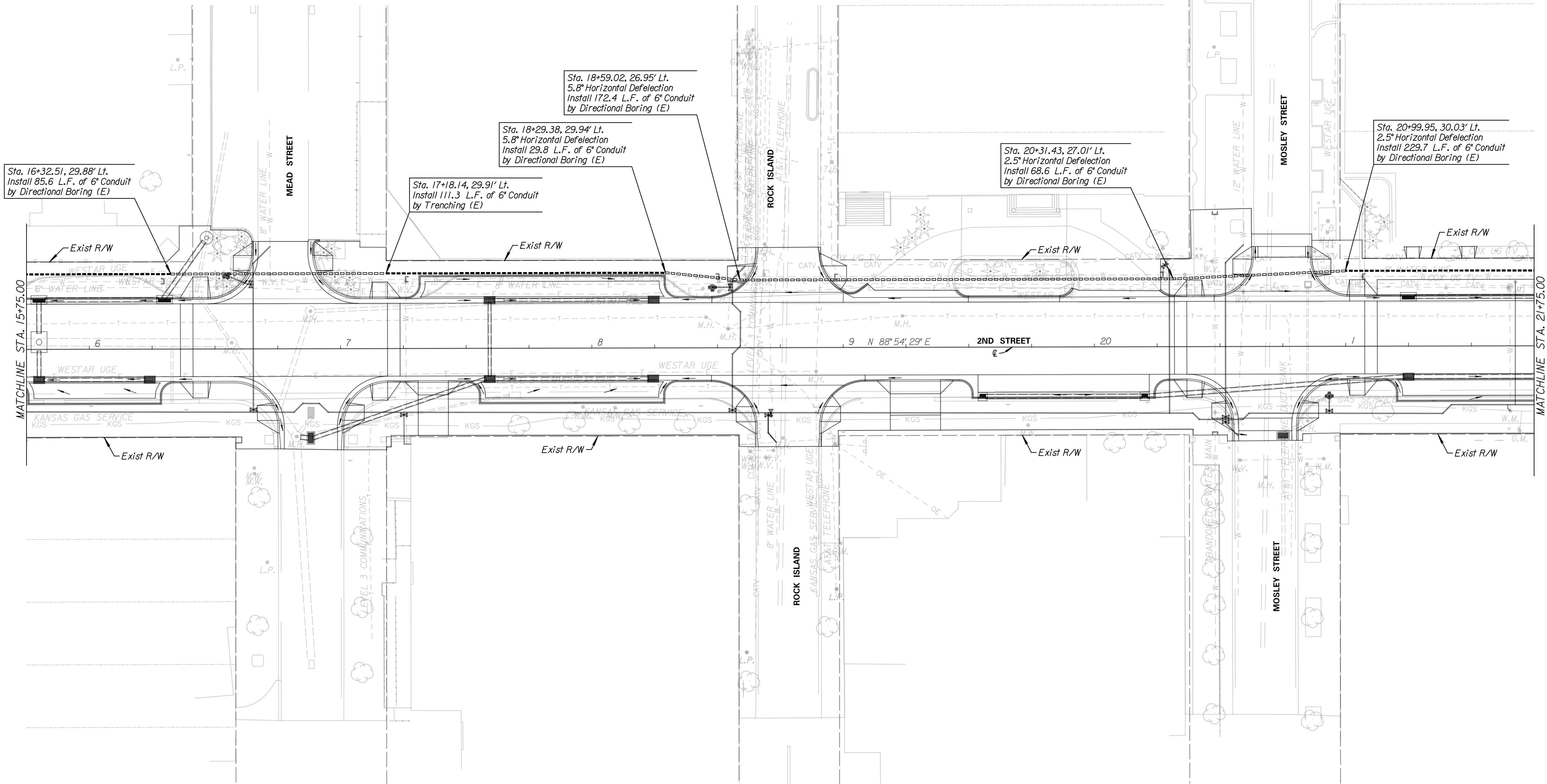


Device and conduit symboloty on plan sheet is not shown to scale for plan clarity. Do not sacale locations from plan sheet.

Existing features and utilities are shown from available information and should be considered approximate only. It is the responsibility of the Contractor to verify utilities and their exact location prior to consturciron.

For 2nd Street Plan Sheets, See Sheets, 16-32

For Storm Sewer Plan & Profile Sheets, See Sheets 6-15



**Tran Systems**  
 245 NORTH WACO  
 SUITE 222  
 WICHITA, KANSAS 67202  
 PHONE: 316-303-3000  
 FAX: 316-303-0166

CONSULTANTS:  
  
 LK ARCHITECTURE, INC.  
 345 RIVERVIEW  
 SUITE 200  
 WICHITA, KANSAS 67208  
 PHONE: 316-268-0230

2ND STREET IMPROVEMENTS  
 SANTA FE TO WASHINGTON IN OLD TOWN  
 WICHITA, KANSAS

REVISIONS:	MARK	DATE	DESCRIPTION

PROJ NO: 472-85284  
 SCALE: 1"=20'  
 DATE: 7/11/2018  
 DESIGNED BY: TAU  
 DRAWN BY: TAU  
 CHECKED BY: MDB

SHEET TITLE:  
 2ND STREET  
 ITS IMPROVEMENTS  
 STA. 15+75.00 TO  
 STA. 21+75.00

SHEET NO.  
 73  
 SHEET 73 OF 103