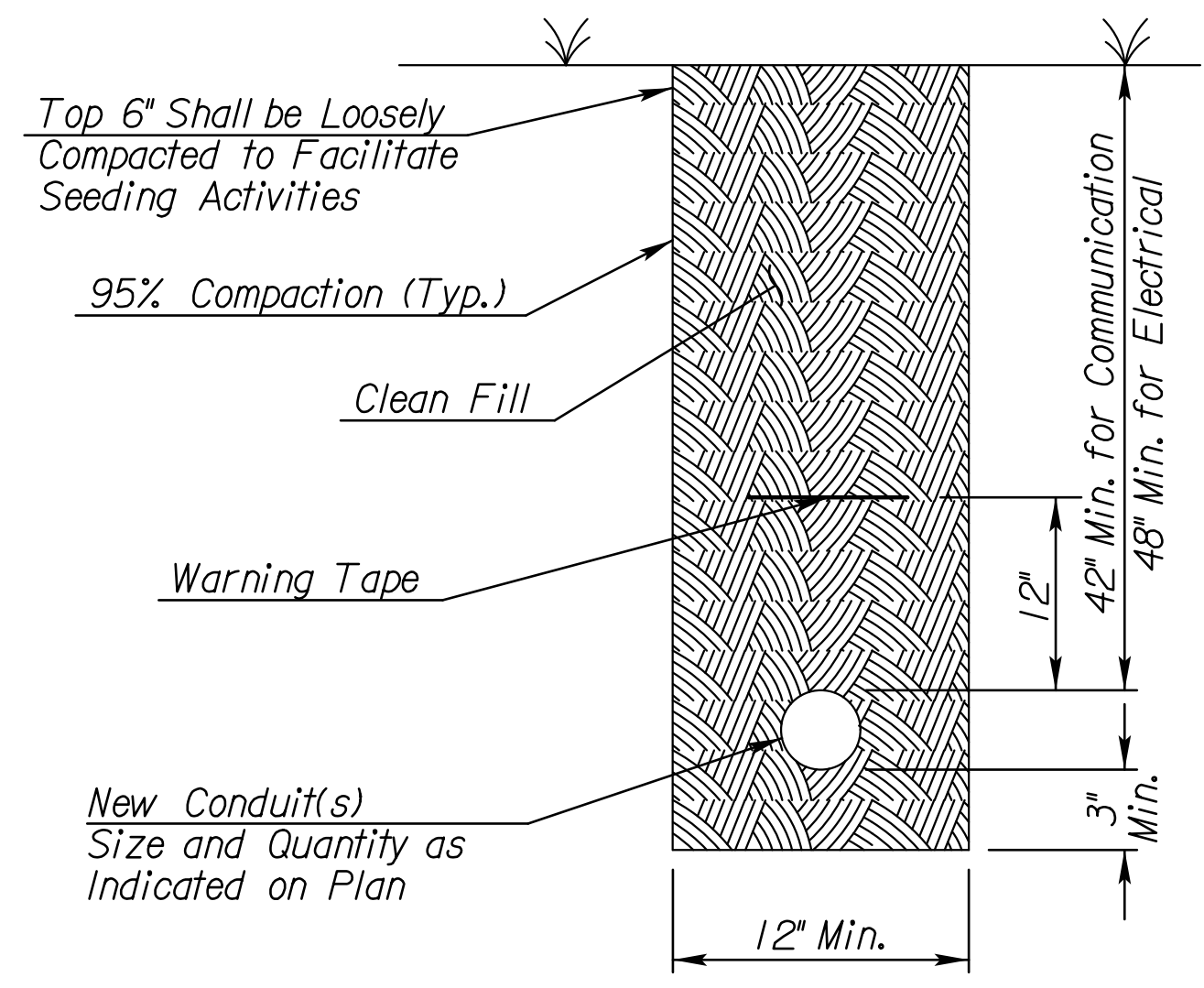
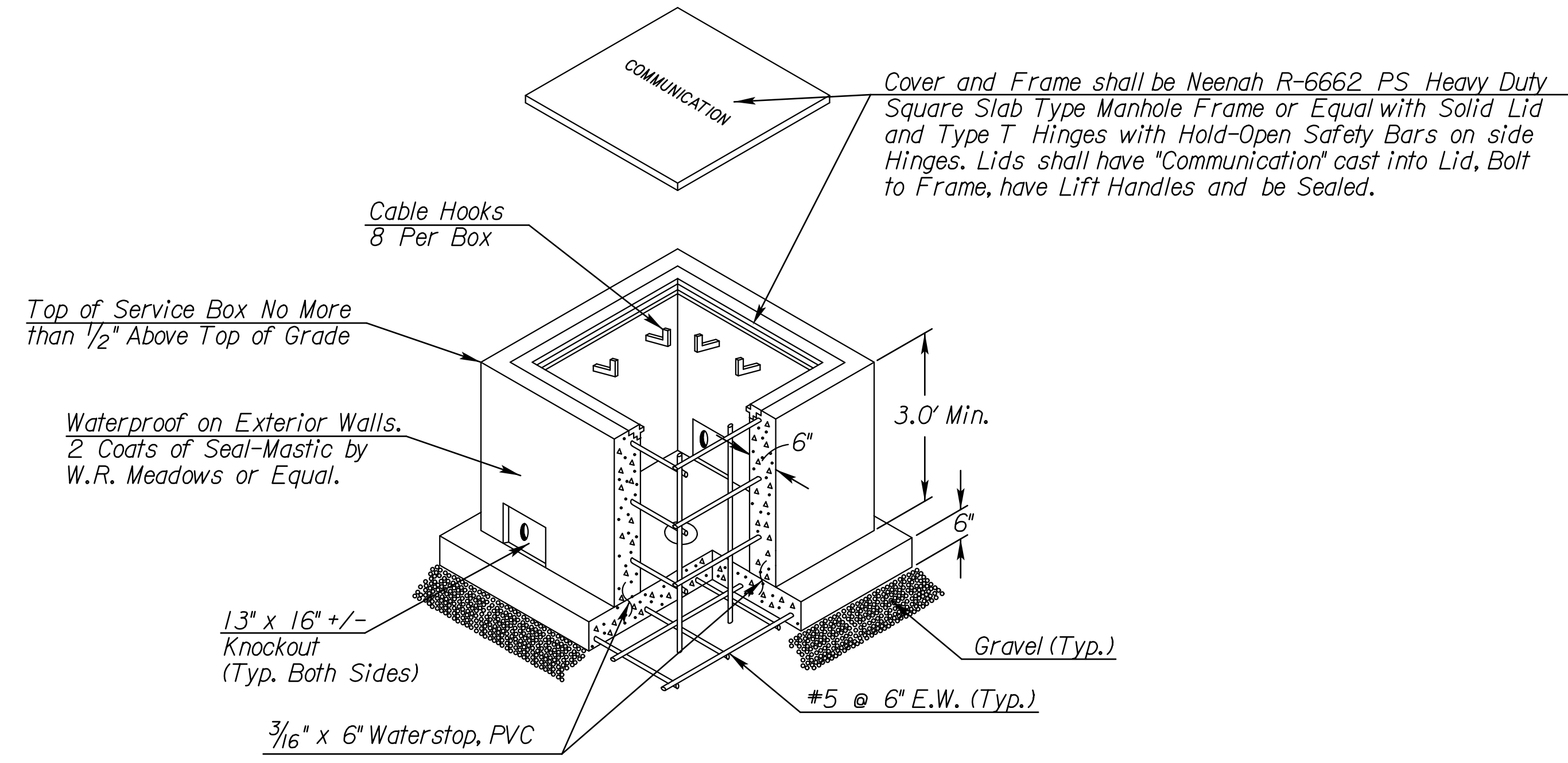


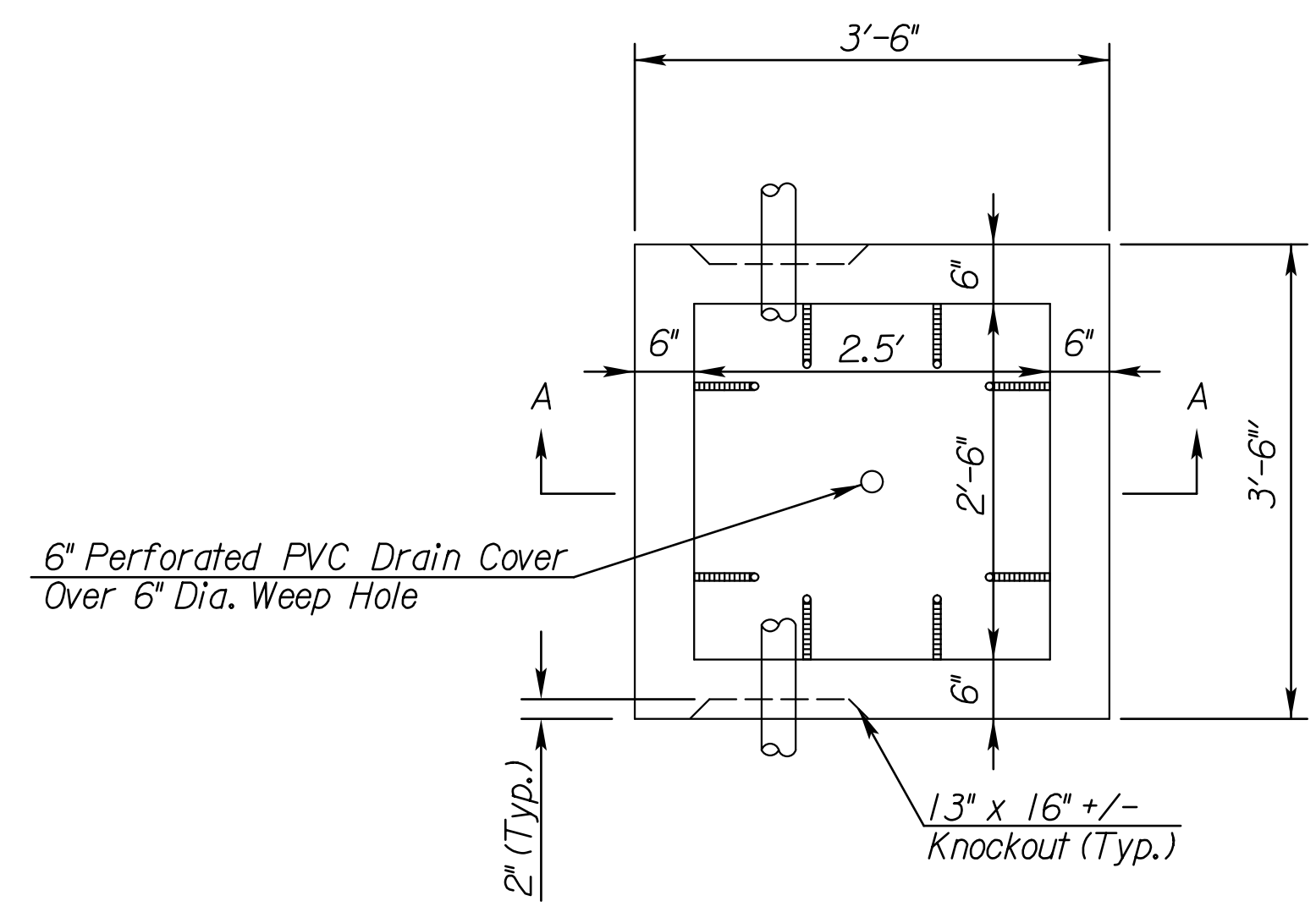
COMMUNICATION DUCT BANK SERVICE BOX SECTION "A-A"
No Scale



TRENCH DETAIL
No Scale
Contractor shall construct the trench at the locations shown on the plans. The vertical elevation of the trench may be adjusted by the Contractor as approved by the Engineer to clear utilities. This work shall be SUBSIDIARY to the bid item "Communication Duct" and shall include all materials, tools, labor equipment, pull boxes and incidentals necessary to complete the work.



COMMUNICATION DUCT BANK SERVICE BOX ISOMETRIC VIEW
No Scale



COMMUNICATION DUCT BANK SERVICE BOX PLAN VIEW
No Scale

GENERAL NOTES

For precast communication duct service box, submit shop drawings stamped by a structural engineer licensed in Kansas.

On a wall near lid, fasten a 2" x 4" plastic label plate. Show month and year installed.

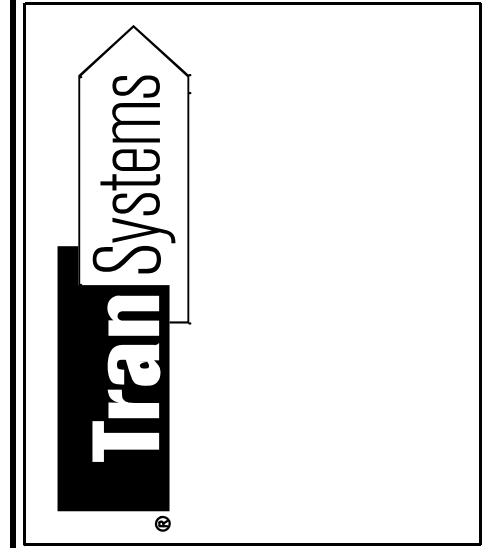
Concrete- 4,000 PSI Min. at 28 days, with 4% to 6% air.
Reinforcing- A615, Grade 60 (Fy= 60 ksi).

Lid security bolts shall be 1/2" dia. S.S. Provide (1) wrench to owner for lid security bolts.

See Standard Specifications for compaction requirements. Compaction around Communication Duct Service Box shall meet the same standard compaction requirements as a storm sewer inlet.

Communication Duct Bank Service Boxes shall be paid for as "Communication Duct Service Box" and include all work and materials required to construct the service box as detailed.

Communication Duct shall be paid for as Lin. Ft. of "Communication Duct" and includes all work and materials required to construct the duct as detailed.



CONSULTANTS:
LK ARCHITECTURE, INC.
345 RIVERVIEW
SUITE 200
WICHITA, KANSAS 67208
PHONE: 316-268-0230

2ND STREET IMPROVEMENTS
SANTA FE TO WASHINGTON IN OLD TOWN
CITY OF WICHITA

REVISIONS:	MARK	DATE	DESCRIPTION

PROJ NO: 472-85284
SCALE: N.T.S.
DATE: 7/11/2018
DESIGNED BY: TAU
DRAWN BY: TAU
CHECKED BY: SGE

SHEET TITLE:
COMMUNICATION DUCT BANK DETAILS

SHEET NO.
75
SHEET 75 OF 103