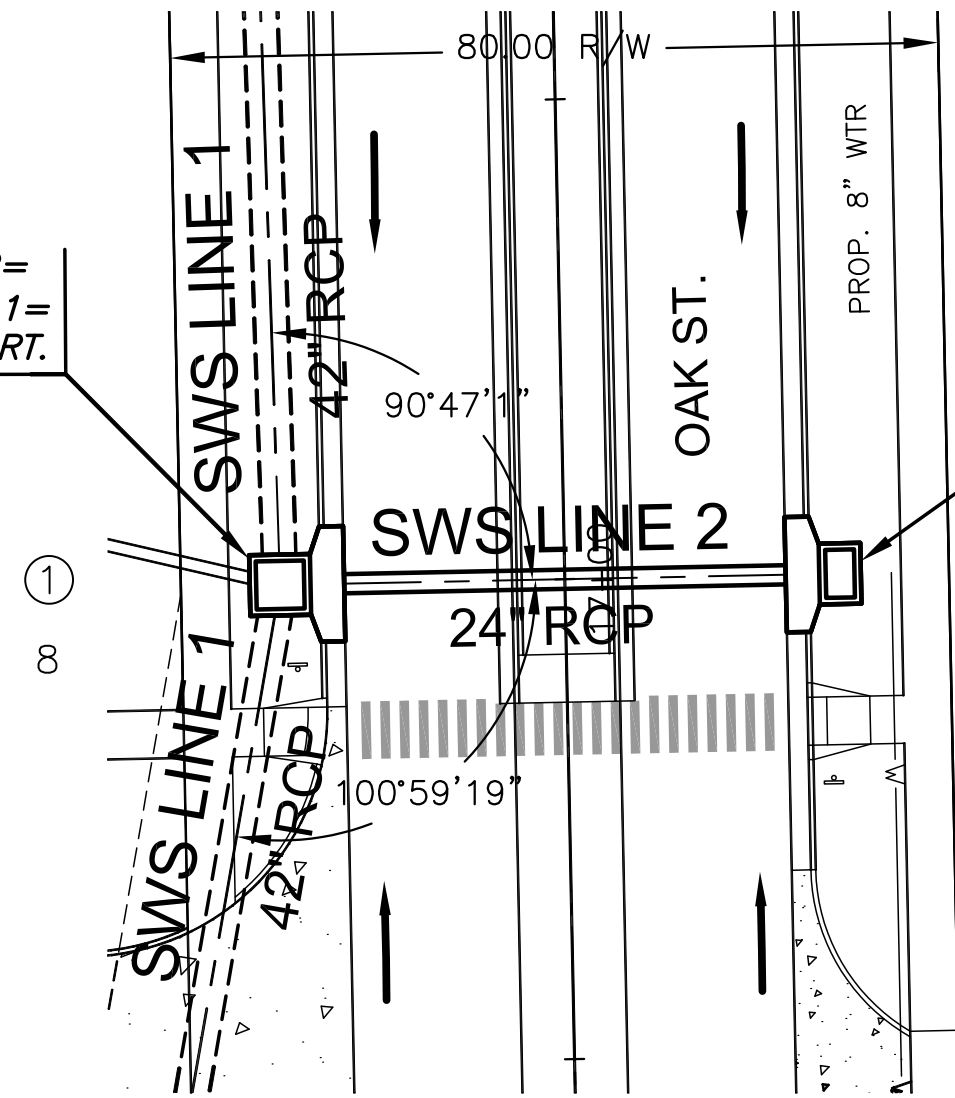
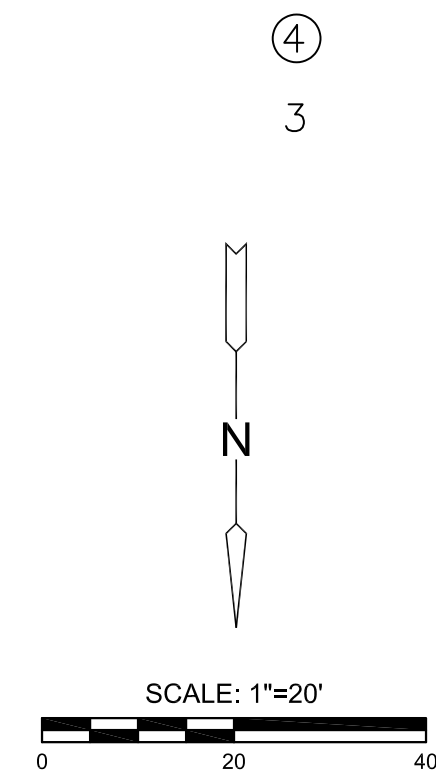


STA. 10+00.0, SWS LINE 2=
STA. 16+64.84, SWS LINE 1=
BL. STA. 17+00.00, 29.7' RT.

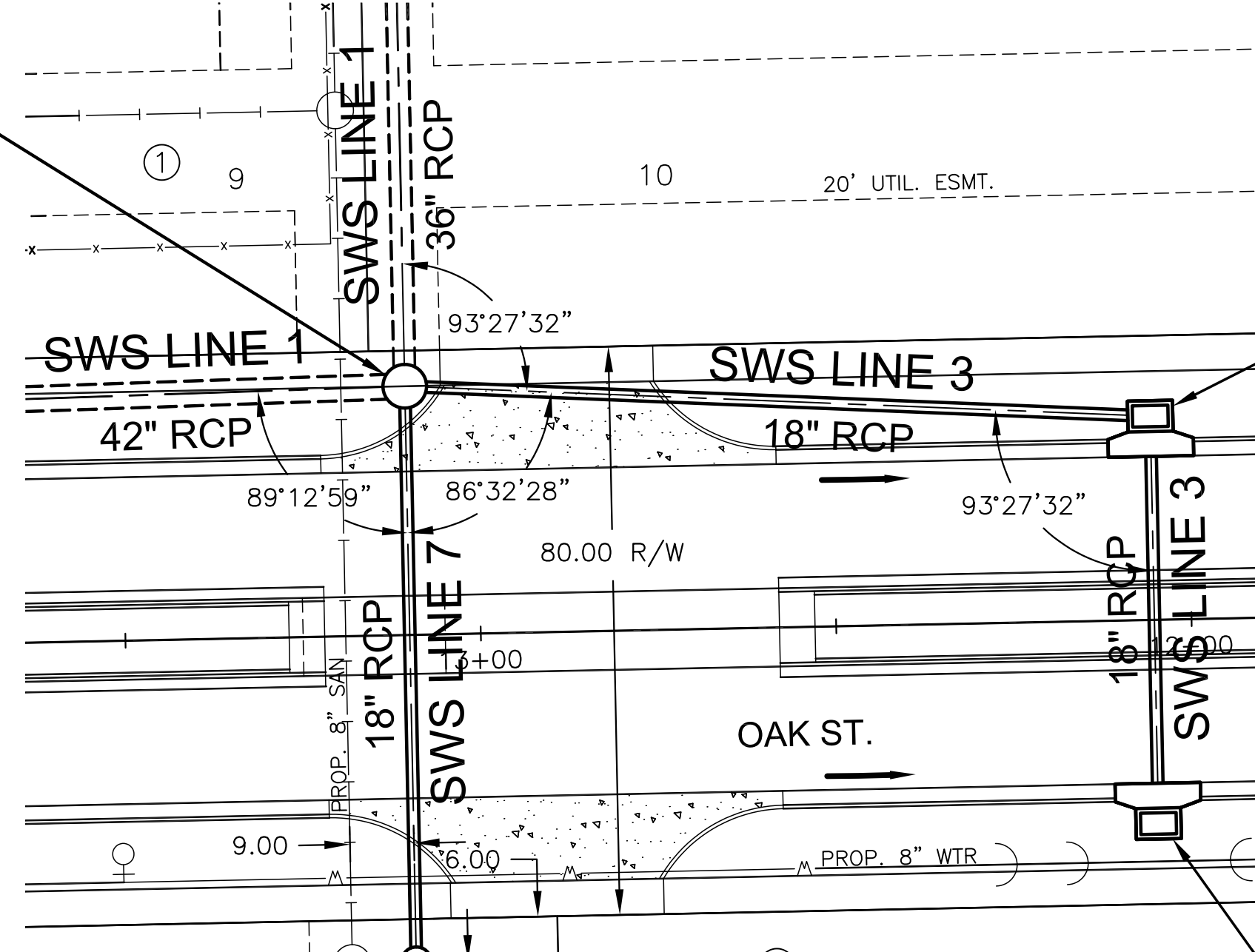


STA. 10+58.3, SWS LINE 2=
BL. STA. 17+00.00, 28.7' LT.
INSTALL TYPE 1A
CURB INLET (5'X3')
INLET TOP=1279.5
PROVIDE SEDIMENT BARRIER



NOTE:
CONTRACTOR TO VERIFY THE
DEPTH AND LOCATION OF EXISTING
UTILITIES PRIOR TO CONSTRUCTION.

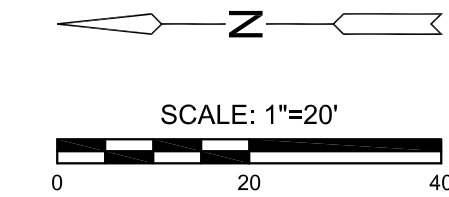
STA. 10+00.0, SWS LINE 3=
STA. 20+54.87, SWS LINE 1=
BL. STA. 13+10.00, 35.0' RT.



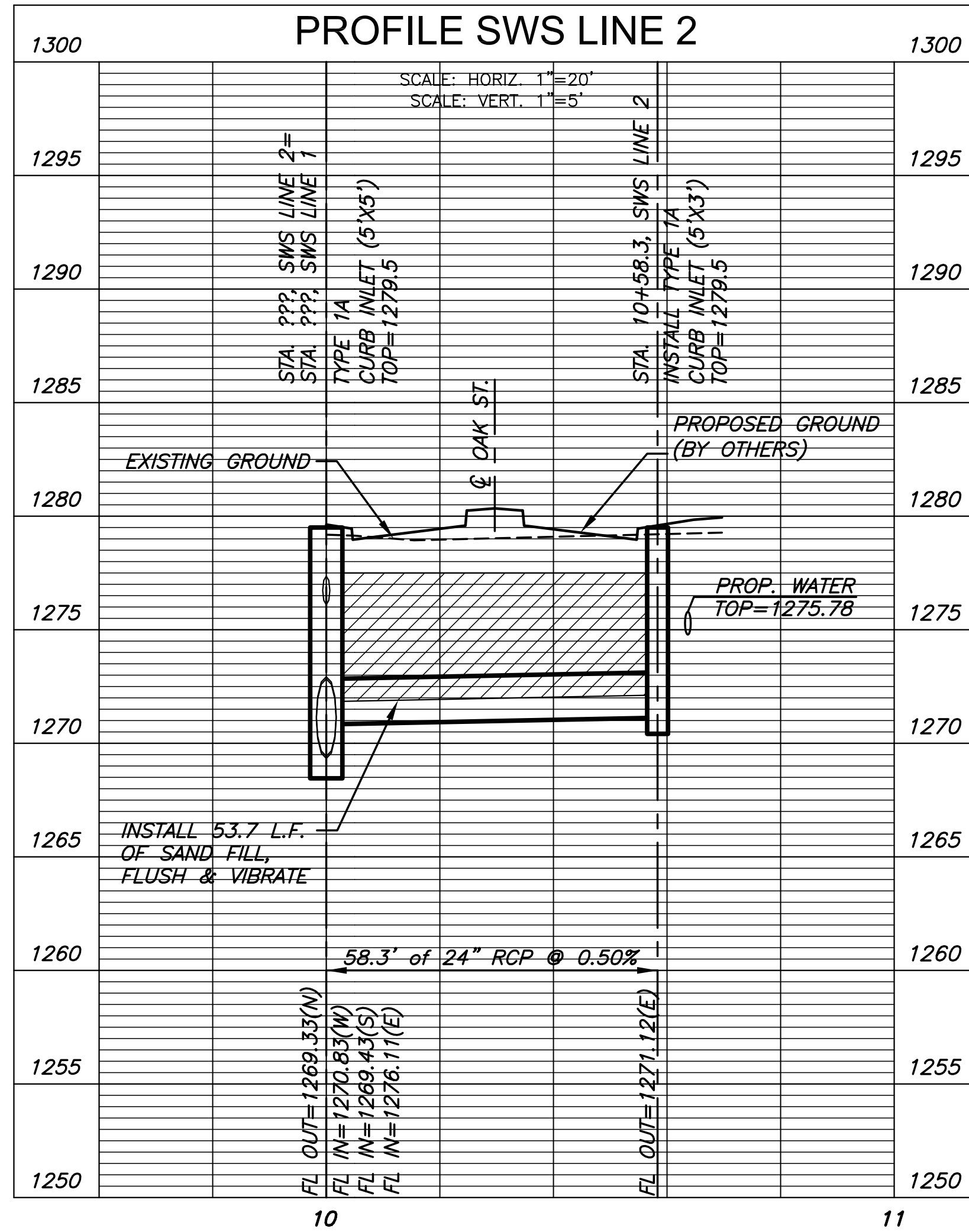
STA. 11+05.0, SWS LINE 3=
BL. STA. 12+05.22, 28.7' RT.
INSTALL TYPE 1A
CURB INLET (5'X3')
INLET TOP=1279.2
PROVIDE SEDIMENT BARRIER

STA. 11+62.3, SWS LINE 3=
BL. STA. 12+05.22, 28.7' LT.
INSTALL TYPE 1A
CURB INLET (5'X3')
INLET TOP=1279.2
PROVIDE SEDIMENT BARRIER

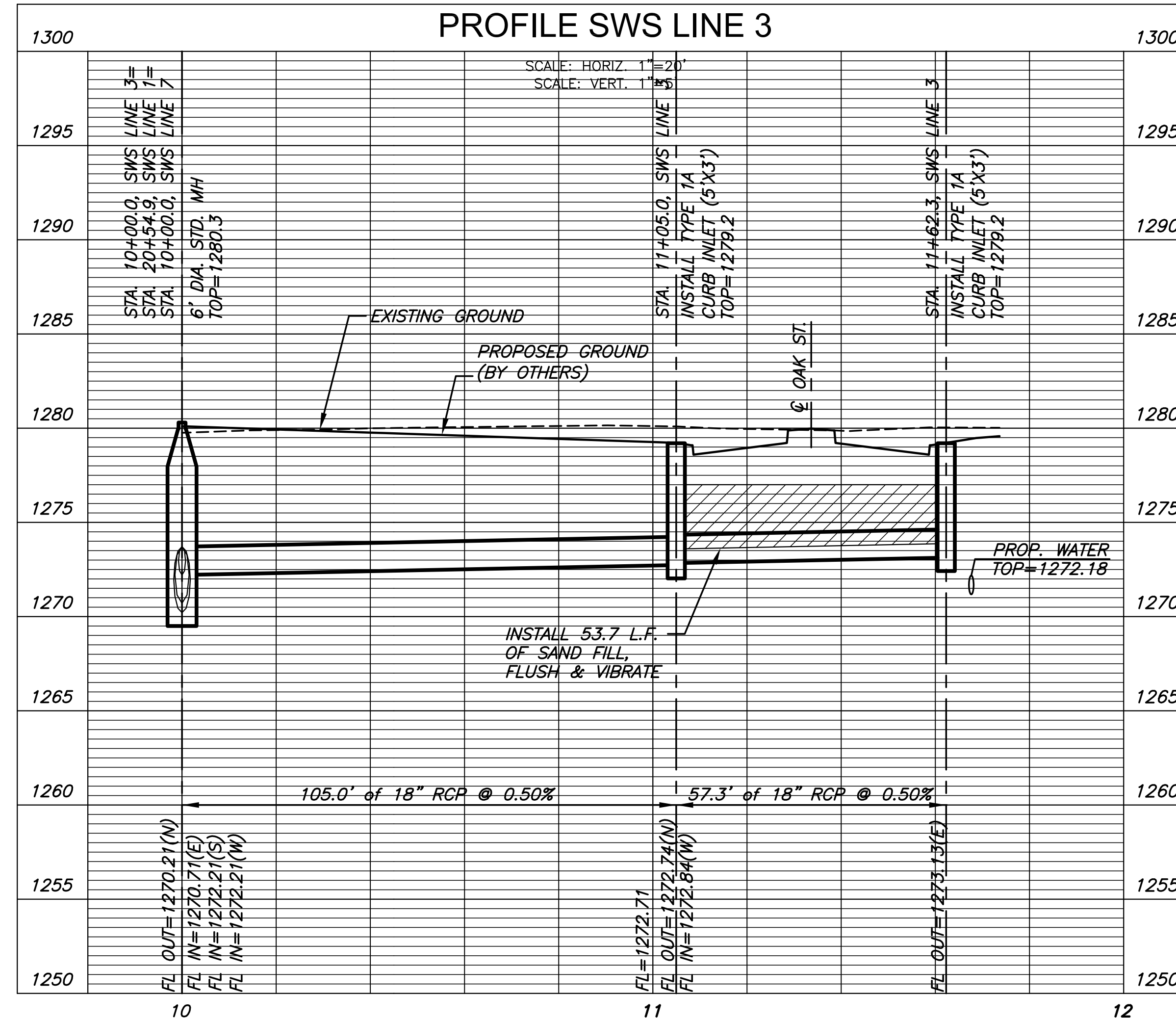
STA. 10+81.0, SWS LINE 7=
BL. STA. 13+10.00, 46.0' LT.
INSTALL 4' DIA. STD. MH
MH TOP=1280.4



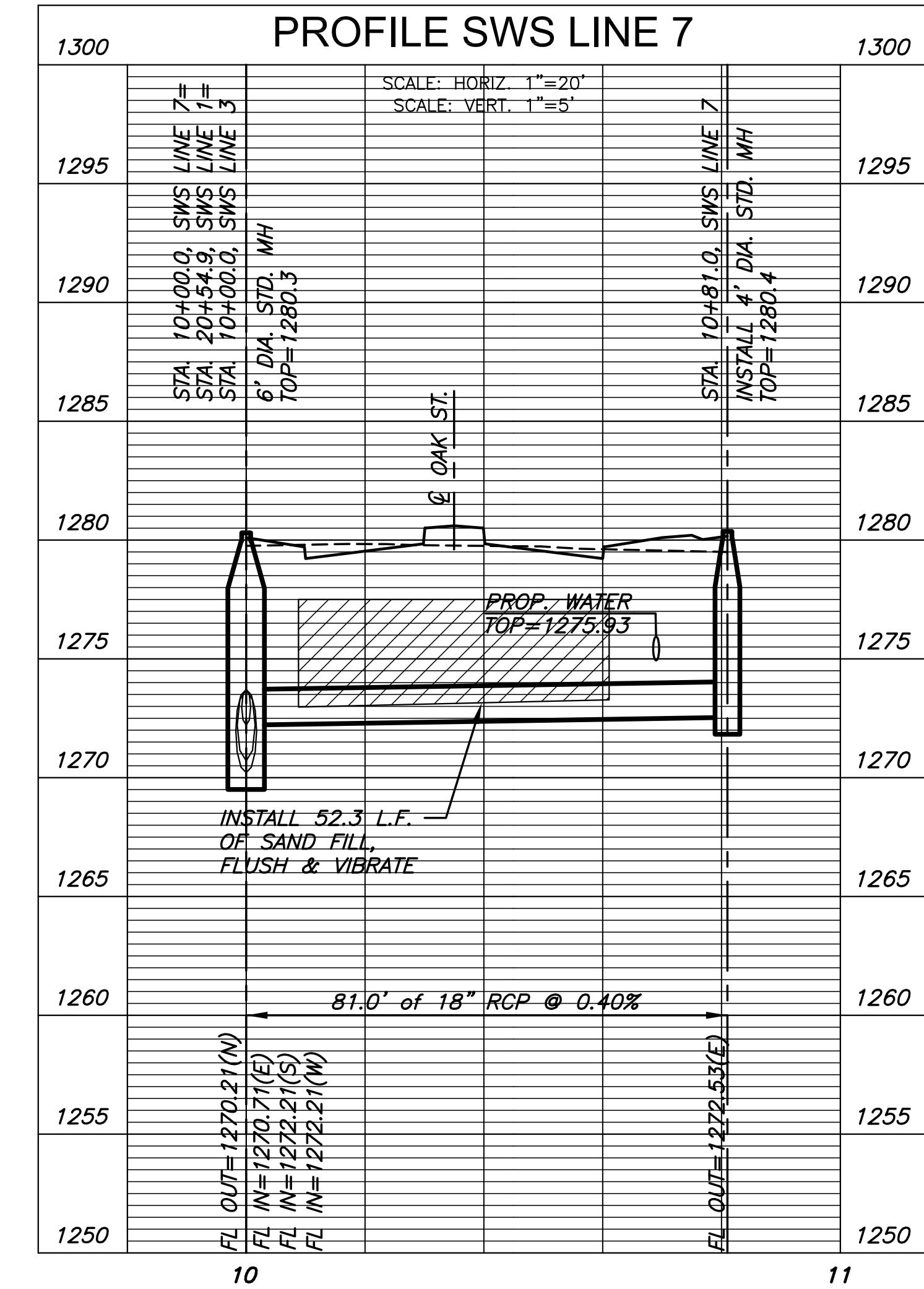
PLAN SWS LINE 2
PROFILE SWS LINE 2



PLAN SWS LINE 3
PROFILE SWS LINE 3



PLAN SWS LINE 7
PROFILE SWS LINE 7



©2018
MKEC Engineering
All Rights Reserved
www.mkec.com
These drawings and their contents,
including, but not limited to, all concepts,
designs, & ideas are the exclusive
property of MKEC Engineering (MKEC),
and may not be used or reproduced in any
way without the express consent of MKEC.

SWS LINE 2,
LINE 3 & LINE 7

| | | |
|-------------|-----------|---------|
| PROJECT NO. | 468-85316 | |
| DATE | JULY 2018 | |
| SCALE | 1"=20' | |
| DESIGNED | DRAWN | CHECKED |
| SPE | MKB | SPE |

| NO. | REVISION | DATE |
|-----|----------|------|
|-----|----------|------|

SHEET NO.