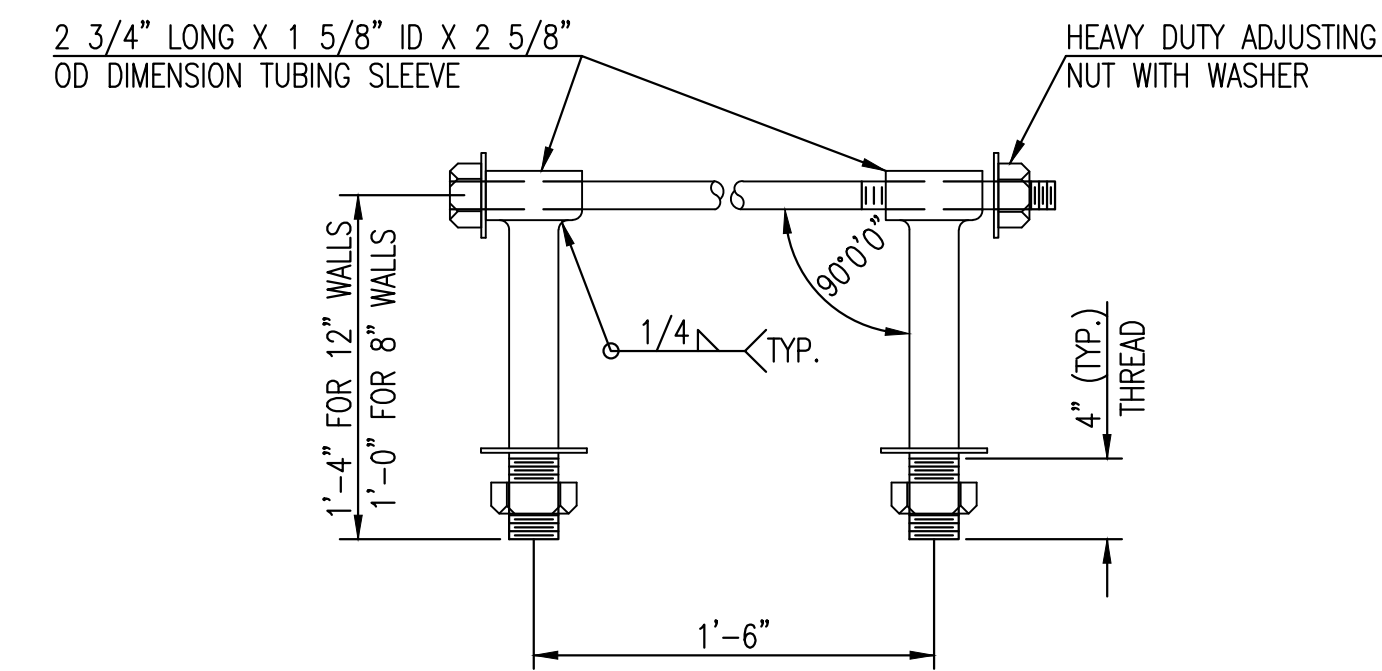


*RIP-RAP SHALL BE NATURAL STONE.
 **CLAY LINER: USE HEAVIEST ON-SITE SOILS (PI>25), MOISTURE CONDITION TO W/N 5% OF OPTIMUM & COMPACT TO 95% STD. DENSITY



HEAVY DUTY (H.D.) COUPLER

NO SCALE
 NOTES

1. BOLTS TO BE A-36 1 1/2" DIAMETER.
2. BOLTS, NUTS, WASHERS AND SLEEVES TO BE ZINC PLATED.
3. WASHERS TO BE 3 1/2" O.D. X 7 GAUGE.
4. SHIP WITH NUTS AND WASHERS PLACED ON BOLTS.

NOTES:

FILTER COURSE, GROUTED TOE WALL AND CLAY LINER SUBSIDIARY TO "RIP-RAP, LIGHT STONE".

TIES ARE SUBSIDIARY TO STORM SEWER PIPE.

TIE RODS SHALL BE GALVANIZED OR POWER WASHED AND DIPPED IN AN APPROVED ZINC RICH EPOXY PRIME PAINT AFTER FABRICATION.

TIES TO BE USED ONLY TO HOLD PIPE SECTIONS TOGETHER, NOT FOR PULLING SECTIONS TIGHT.

CONNECT END SECTION AND PIPE SECTIONS WITH PIPE TIES A MINIMUM OF 2 JOINTS FROM THE END SECTION.



PAVING & INCIDENTAL DRAINAGE FOR
AUBURN LAKES ADDITION
 WICHITA, KANSAS

©2018 MKEC Engineering All Rights Reserved www.mkec.com
 These drawings and their contents, including, but not limited to, all concepts, designs, & ideas are the exclusive property of MKEC Engineering (MKEC), and may not be used or reproduced in any way without the express consent of MKEC.

MISC. SWS DETAILS

PROJECT NO.	468-85307	
DATE	SEPT. 2018	
SCALE	NTS	
DESIGNED	DRAWN	CHECKED
DFL	JWC	GJA

NO.	REVISION	DATE
-----	----------	------

SHEET NO.