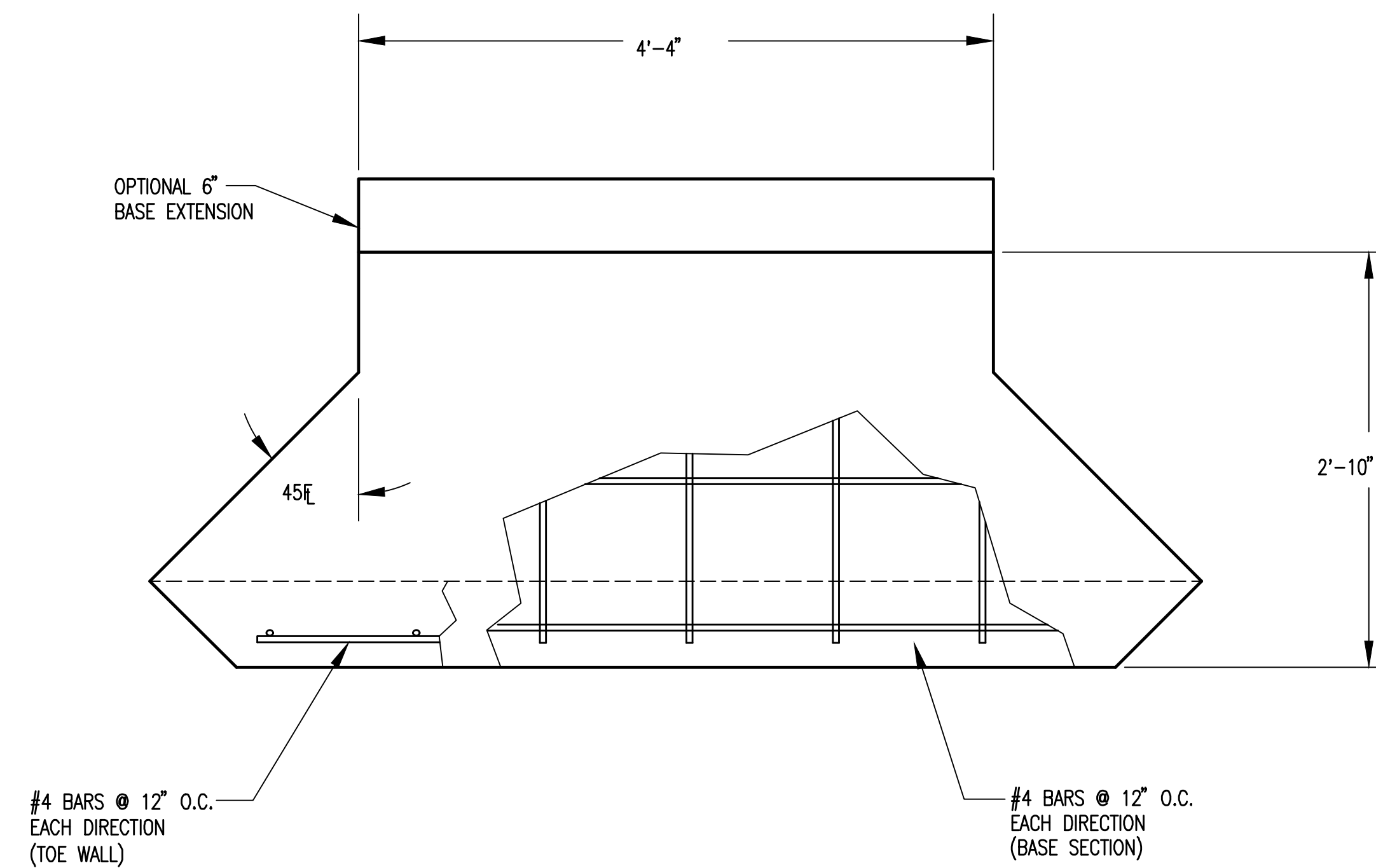
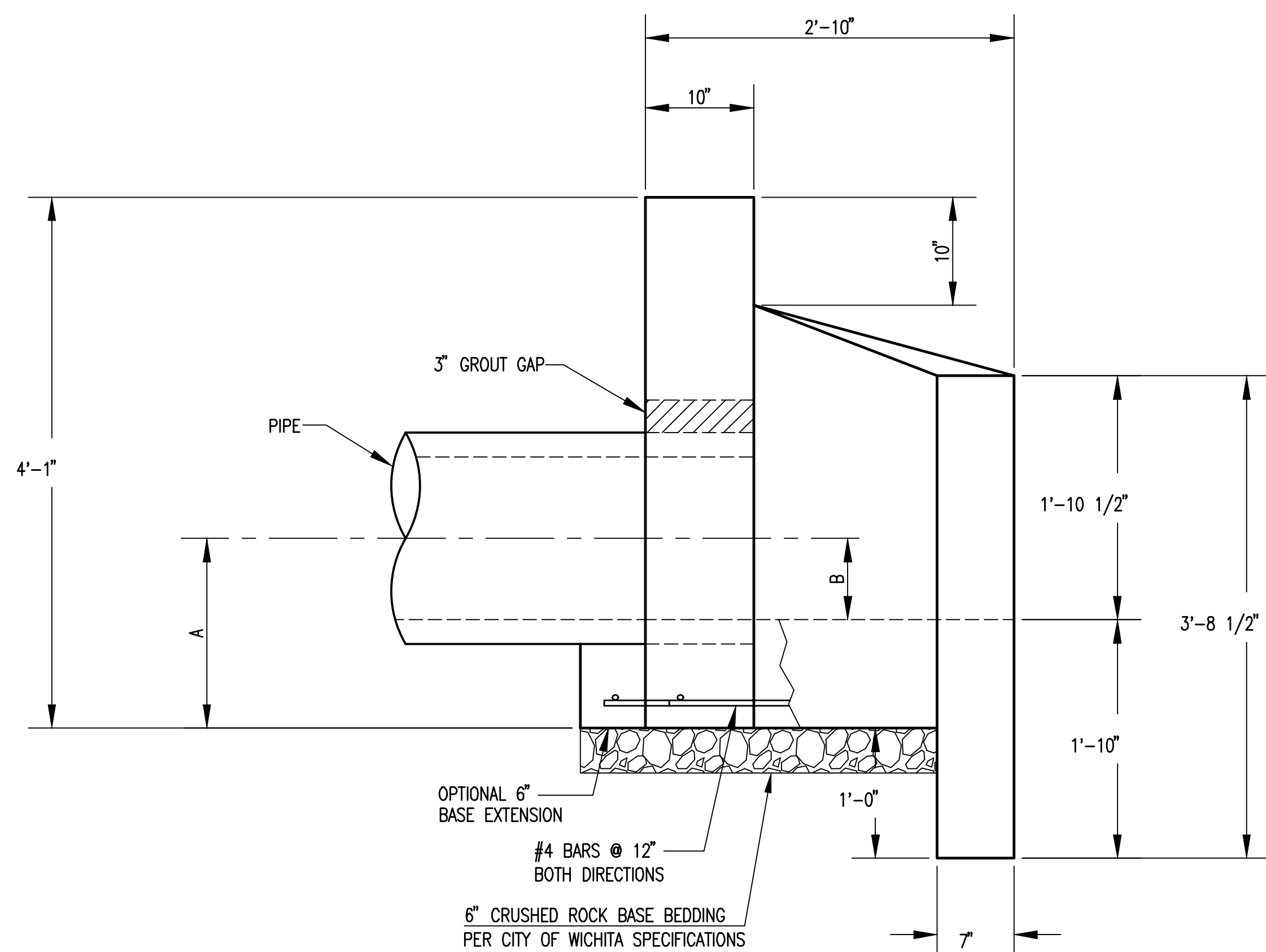


PLAN VIEW

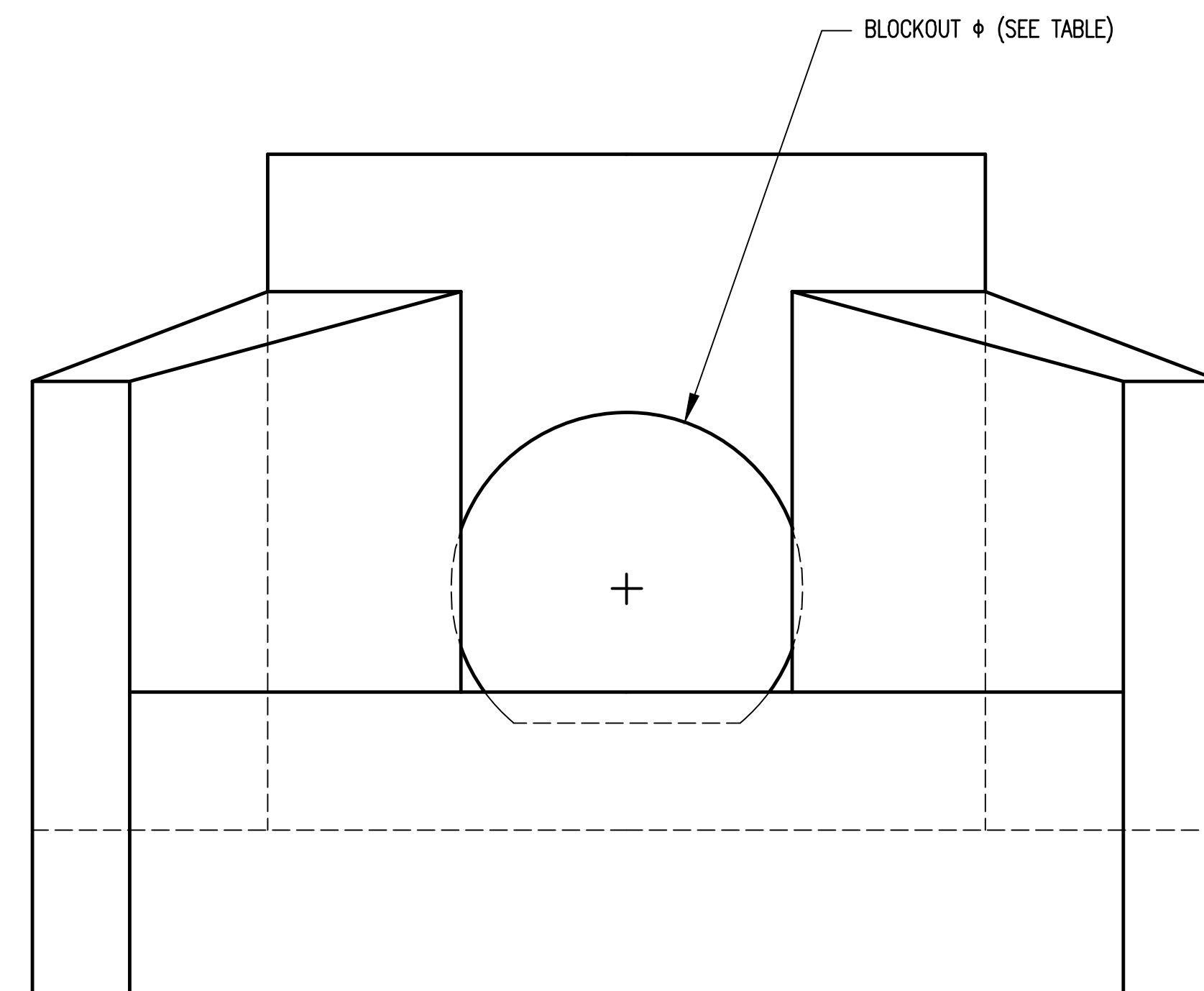


**PLAN VIEW
BASE**

PIPE ϕ	A	B	BLOCKOUT ϕ
15"	1'-5 1/2"	7 1/2"	2'-1 1/2"
18"	1'-7"	9"	2'-5"
24"	1'-10"	1'-0"	3'-0"



ELEVATION



FRONT VIEW

HEADWALLS, AS SHOWN, WILL NOT SUPPORT FLAP GATE.



**HEADWALL
DETAILS FOR
15", 18", AND 24" PIPE**

CITY ENGINEER
GARY JANZEN, P.E.

PROJECT NUMBER 448-90760	OCA NUMBER 637505	DATE 11/2010
------------------------------------	-----------------------------	------------------------

CITY ENGINEER'S OFFICE
CITY HALL - SEVENTH FLOOR
455 NORTH MAIN STREET
WICHITA, KANSAS 67202-1620
(316) 268-4501

SHEET
PD2 of 19

Sheet 01-31-2010 2:09:13 PM by: KURTIS DEKAT
 Plot Scale: 1" = 8'-31" = 2018 8:28:22 AM by: KURTIS DEKAT
 U:\Wichita-Civil\2016\160316\003\Num\Drawings\PD2 HEADWALL DETAILS