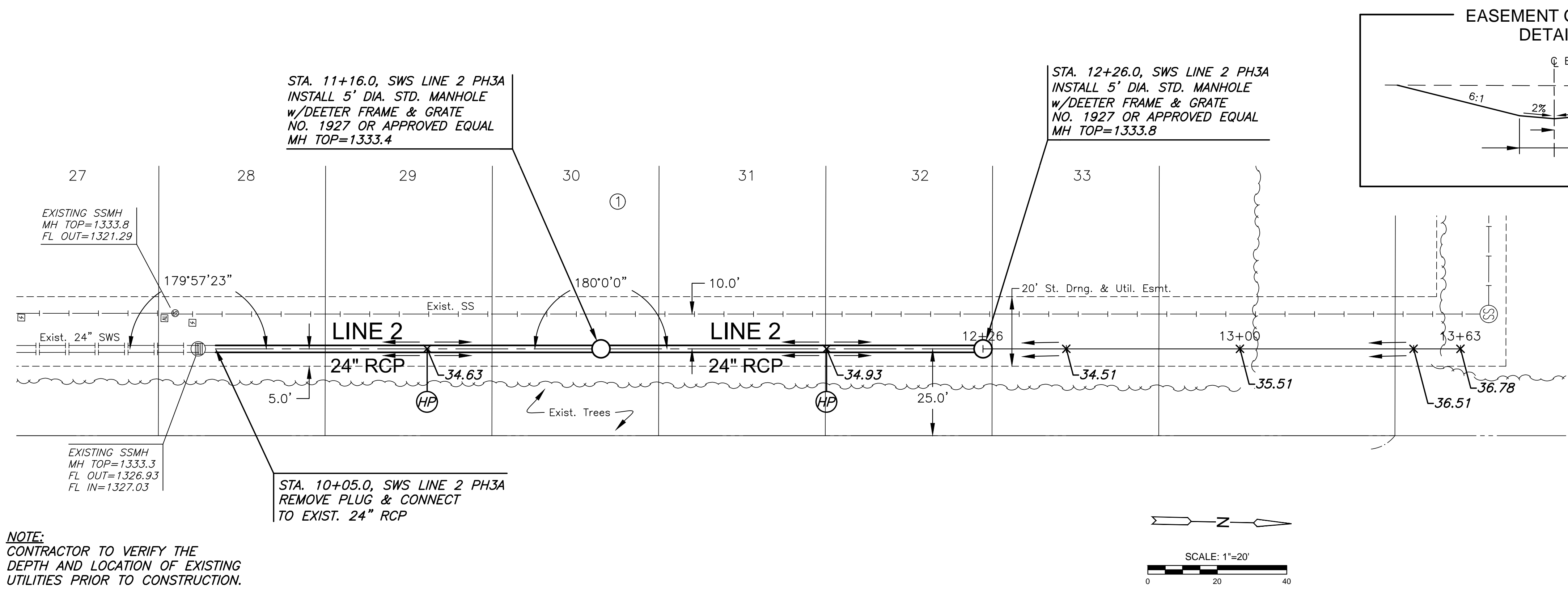


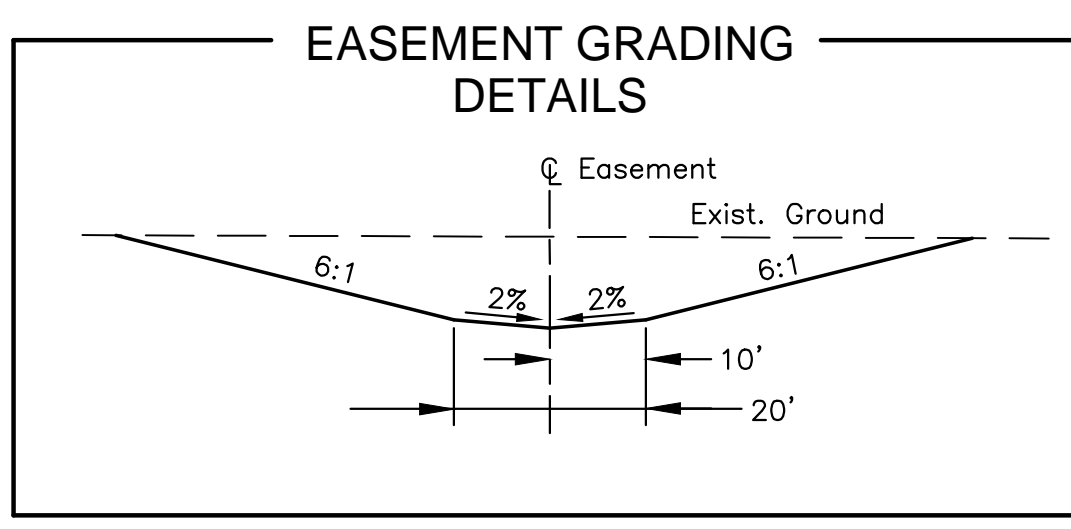
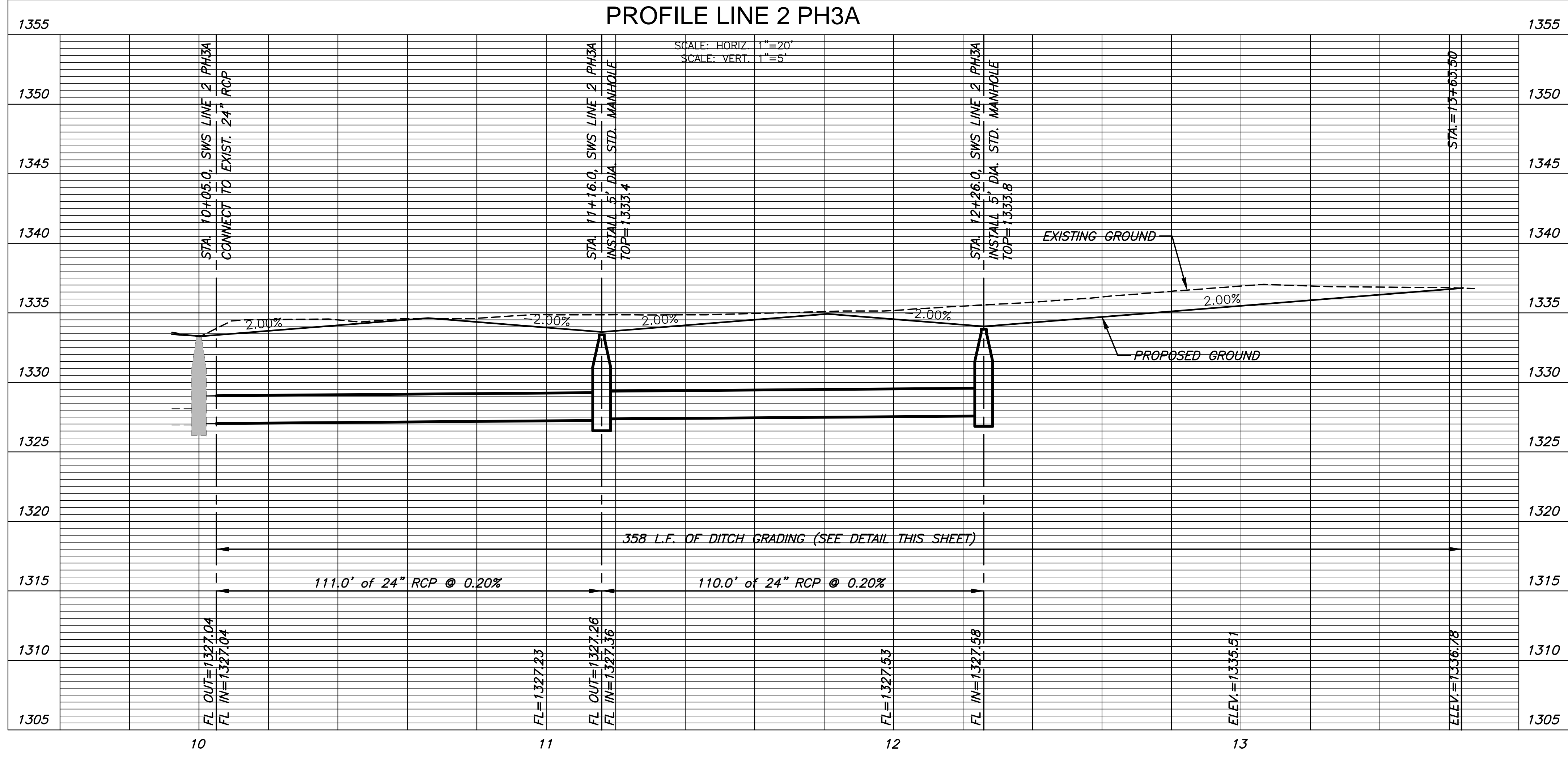
PLOT DATE: Wednesday, September 19, 2018 @ 10:27AM

J:\PROJECTS\2018\1401010482 - PREMIER ESTANCIA\DWG\CIVIL\CADD\SWS\RESIDENTIAL\PH3A\1482_RES_DP_02_PH3A.DWG



NOTE:
CONTRACTOR TO VERIFY THE DEPTH AND LOCATION OF EXISTING UTILITIES PRIOR TO CONSTRUCTION.

**PLAN LINE 2 PH3A
PROFILE LINE 2 PH3A**



STORM WATER SEWER PLAN FOR
ESTANCIA ADDITION
PHASE 3A

©2018 MKEC Engineering All Rights Reserved
www.mkec.com
These drawings and their contents, including, but not limited to, all concepts, designs, & ideas are the exclusive property of MKEC Engineering (MKEC), and may not be used or reproduced in any way without the express consent of MKEC.

SWS LINE 2		
PROJECT NO.	468-85074	
DATE	SEPT. 2018	
SCALE	1" = 20'	
DESIGNED	DRAWN	CHECKED
DFL	JWC	GJA
NO.	REVISION	DATE
SHEET NO. 07 OF 21		